

SERIES QR1 PNEUMATIC FITTINGS INCH AND METRIC PUSH-IN TYPE

Rexroth
Pneumatics



Series QR1 Pneumatic Fittings

Inch and Metric Push-in Type

Complete fittings program

Wide variety of sizes and styles - loaded with features

The AVENTICS Series QR1 compressed air fittings allow quick installation and easy reconfiguration of pneumatic systems having inch tubing/NPT threads and metric tubing/ISO-G(BSPP) threads. The user-friendly oval release rings allow the user to comfortably and quickly release the tubing from the push-lock connection by providing more surface area, unlike traditional round release rings. QR1 fittings come in standard and mini sizes, plus function fittings such as ball valves, check valves, flow controls, etc. They feature premium materials such as nickel-plated brass threads, and a stainless steel internal locking mechanism.



Lengthy features list:

- Oval release ring for easy removal of tubing
- Light weight, space-saving, polymer design, inherit corrosion resistance
- Nickel-plated brass threads
- Stainless steel tube locking mechanism
- Thread sealant on NPT threads, face seal on ISO-G threads
- Optimum sealing with captive o-ring
- Standard series for 10-32UNF to 1/8" NPT (M3 to G1/8) and 1/8" to 1/4" tubing (3 to 6mm) - great for use with AVENTICS small handling components
- Function fittings for 1/8" to 1/2" NPT (G1/8 to G1/2) and 5/32" to 1/2" tubing (3mm to 12mm)
- Inch and metric tubing offering
- Choose from straights, elbows, tees, Y's, X's, manifolds, bulkheads, plugs, reducers, unions, caps, etc.



Focused
Delivery
Program

Many styles and sizes of Series QR1 fittings are included in the AVENTICS Quick Ship focused delivery program. For details on the program and the part numbers included, visit www.aventics.com/us/QuickShipQR1

Table of Contents

Inch Section	Page
Plastic fittings, QR1 standard - Inch	2
Plastic fittings, QR1 mini - Inch	26
Function fittings, QR1 - Inch	39
Plastic tubing, Inch, PUR Polyurethane	53
Silencers, Inch.....	53
Adapter Fittings Metric to Inch/Common Pipe Fittings	54
Metric Section	
Plastic fittings, QR1 standard - Metric	55
Plastic fittings, QR1 mini - Metric	90
Function fittings, QR1 - Metric	103
Plastic tubing, Metric, PUR Polyurethane TU1 series	120
Plastic tubing, Metric, PA Polyamide (Nylon) TU1 series	121
Plastic tubing, Metric, TEF Teflon TU1 series.....	123
Plastic tubing, Metric, PUR Polyurethane TU2 series	123
Plastic tubing, Metric, Spiral PA Polyamide (Nylon) TU3 series ..	124
Plastic tubing, T clips.....	124
Plastic tubing, multiple clamping strips/tubing cutters	125
Silencers, Metric, polyethylene.....	126
Silencers, Metric, sintered bronze	127
QR1 Fittings Code Identification.....	128

Note: “Pack quantity” listed is the package size, order quantities must be in package size multiples.

Plastic fittings, series QR1-Inch Standard



Products

★ Technical Data

See page 5



▲ Accessories

▲ ★ Straight male, series QR1-RPN

See page 6



▲ ★ Straight female, series QR1-RAI

See page 6



▲ ★ Bulkhead gland, series QR1-RSI

See page 7



▲ ★ Male stand pipe, series QR1-RAS

See page 7



▲ ★ Male elbow, series QR1-RVT

See page 8



▲ ★ Male extended elbow, series QR1-RVL

See page 8



▲ ★ Female elbow, series QR1-RVI

See page 9



▲ ★ 45° elbow, series QR1-RAT

See page 9



▲ ★ Single banjo, Serie QR1-RW1

See page 10



▲ ★ Double banjo, series QR1-RWD

See page 11



▲ ★ Single banjo with internal thread, series QR1-RIW

See page 11



▲ ★ Double banjo with internal thread, series QR1-RID

See page 12



Plastic fittings, series QR1-Inch Standard

AVENTICS®

▲ Accessories

▲ ★ Reducing manifold, series QR1-RMG

See page 12



▲ ★ Male branch TEE, series QR1-RTT

See page 13



▲ ★ Male run TEE, series QR1-RLT

See page 14



▲ ★ Y-fitting, series QR1-RAY

See page 15



▲ ★ Straight union connector, series QR1-RSK

See page 16



▲ ★ Reducing union, series QR1-RSR

See page 16



▲ ● Bulkhead union, series QR1-RSM

See page 17



▲ ★ Elbow union, series QR1-RVK

See page 17



▲ ★ Triple reducing manifold, series QRT-RMT

See page 18



▲ ★ Tube to tube TEE, series QR1-RTK & RTR(reducing)

See page 18



▲ ★ Tube to tube Y, series QR1-RYK

See page 19



▲ ★ Reducing Y, series QR1-RYR

See page 20



▲ ★ Cross union, series QR1-RXS

See page 20



▲ ★ Straight push-in reducer, series QR1-RED

See page 21



▲ ★ Push-in elbow, series QR1-RVA

See page 21



▲ ★ Extended push-in elbow, series QR1-RLL

See page 22



▲ ★ Push-in 45° elbow, series QR1-RVW

See page 22



▲ ★ Triple push-in reducing manifold, series QR1-RMS

See page 23



Plastic fittings, series QR1-Inch Standard



▲ Accessories

▲ ★ Push-in Y, series QR1-RY2

See page 23



▲ ★ Push-in reducing Y, series QR1-R2R

See page 24



▲ ★ Blanking cap, series QR1-RCA

See page 24



▲ ★ Blanking plug, series QR1-RBS

See page 25



▲ ★ Male connector, series QR1-RDS

See page 25



▲ ★ Male connector, reducing, series QR1-RDR

See page 25



Plastic fittings, series QR1-Inch

Technical Data (standard and mini)



Technical Data

Working pressure Vacuum, -14 to 145 psi
 Temperature range 32 °F to +140 °F

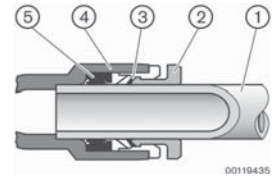


Application area

For compressed air and vacuum

Technical Information, Material

1. Compressed air hose - (PU, PA, PE) size based on the outside diameter
2. Release ring - POM
3. Tooth lock release - 301 stainless steel
4. Housing - Polybutylene terephthalate (PBT)
5. Form ring - Buna-N



Thread - NPT to ANSI B1. 20.1, Teflon coated, electroless nickel-plated brass

Assembly and disconnection (compressed air hoses)

Always cut the compressed air hose at right angles.
 The assembly and disassembly is carried out without any additional tools.
 Reliable connections due to defined center of pressure.
 Easy disassembly with oval release ring.

Dimension Ø	PU (Polyurethane)	PA (Polyamide)
1/8"	± 0.004"	± 0.003"
5/32"	± 0.004"	± 0.003"
1/4"	± 0.005"	± 0.004"
5/16"	± 0.006"	± 0.005"
3/8"	± 0.006"	± 0.005"
1/2"	± 0.006"	± 0.006"

For PE (Polyethylene), all sizes +/- 0.004"

Assembly and Disconnection (push-in fitting)

Interchangeability between the QR1 (plastic) and QR2 (metal) series
 QR2 blanking plugs and threaded connectors may not be combined with the QR1 series for safety and reliability.



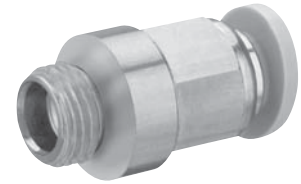
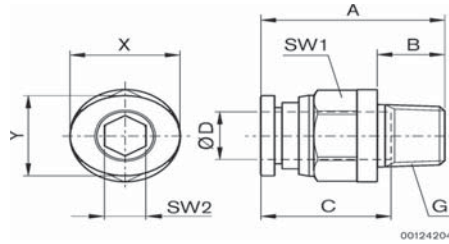
Thread size		10-32 UNF	NPT 1/8	NPT 1/4	NPT 3/8	NPT 1/2
Recom. Torque	kgf/cm	15-19	70-90	120-140	220-240	280-300
	in lb	13-16	62-80	106-124	195-212	248-265

Plastic fittings, series QR1-Inch Standard

10-32 UNF – 1/2" NPTF, straight fitting for Ø 5/32" to 1/2" tube



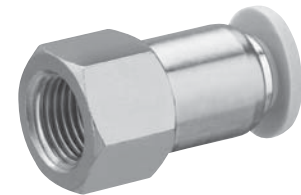
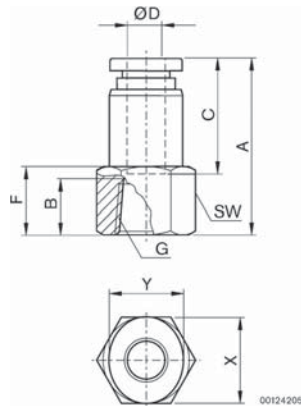
★ Straight male, series QR1-RPN



G	Ø D	A	B	C	SW1	SW2	X	Y	Weight [lbs.]	Per Pack	Part no.
10-32 UNF	5/32	0.867	0.158	0.630	7/16	0.094	0.473	0.394	0.02	10	R432000139
10-32 UNF	1/4	0.985	0.158	0.670	1/2	0.094	0.552	0.473	0.03	10	R432000126
NPT1/8	5/32	0.867	0.315	0.630	7/16	0.094	0.473	0.394	0.02	10	R432000141
NPT 1/8	1/4	0.926	0.315	0.670	1/2	0.156	0.552	0.473	0.02	10	R432000128
NPT 1/8	5/16	1.139	0.315	0.729	9/16	0.188	0.630	0.394	0.04	10	R432000137
NPT 1/8	3/8	1.240	0.315	0.830	11/16	0.187	0.750	0.670	0.06	10	R432002636
NPT 1/4	5/32	0.867	0.433	0.630	9/16	0.094	0.473	0.394	0.03	10	R432000140
NPT 1/4	1/4	1.004	0.433	0.670	9/16	0.157	0.552	0.473	0.04	10	R432000127
NPT 1/4	5/16	1.080	0.433	0.729	9/16	0.219	0.630	0.473	0.04	10	R432000136
NPT 1/4	3/8	1.375	0.433	0.827	11/16	0.219	0.749	0.827	0.07	10	R432000133
NPT 1/4	1/2	1.182	0.433	0.887	7/8	0.25	0.906	0.670	0.09	10	R432000124
NPT3/8	1/4	0.985	0.473	0.670	11/16	0.156	0.552	0.473	0.05	10	R432000129
NPT 3/8	5/16	1.013	0.473	0.729	11/16	0.219	0.630	0.552	0.06	10	R432000138
NPT 3/8	3/8	1.202	0.473	0.827	11/16	0.313	0.749	0.669	0.06	10	R432000134
NPT3/8	1/2	1.281	0.473	0.887	7/8	0.313	0.906	0.827	0.09	10	R432000125
NPT 1/2	5/16	1.103	0.591	0.729	7/8	0.219	0.630	0.670	0.11	10	R432000135
NPT 1/2	3/8	1.182	0.591	0.827	7/8	0.313	0.749	0.669	0.11	10	R432000132
NPT 1/2	1/2	1.360	0.591	0.887	7/8	0.313	0.906	0.906	0.11	5	R432000123

Dimensions in inches

★ Straight female, series QR1-RAI



G	Ø D	A	B	F	C	SW	Y	X	Weight [lbs]	Per Pack	Part no.
NPT 1/8	5/32	1.009	0.355	0.433	0.63	9/16	0.394	0.473	0.03	10	R432000030
NPT 1/8	1/4	1.06	0.355	0.394	0.67	9/16	0.473	0.551	0.03	10	R432000020
NPT 1/8	5/16	1.126	0.355	0.473	0.729	9/16	0.552	0.63	0.04	10	R432000027
NPT 1/4	5/32	1.127	0.473	0.552	0.63	11/16	0.394	0.473	0.05	10	R432000029
NPT 1/4	1/4	1.178	0.473	0.552	0.67	11/16	0.473	0.551	0.05	10	R432000019
NPT 1/4	5/16	1.233	0.473	0.591	0.729	11/16	0.552	0.63	0.06	10	R432000026
NPT 1/4	3/8	1.336	0.473	0.512	0.827	11/16	0.67	0.749	0.07	10	R432000023
NPT 1/4	1/2	1.434	0.473	0.512	0.887	7/8	0.827	0.906	0.12	10	R432000017
NPT 3/8	1/4	1.229	0.512	0.591	0.67	7/8	0.473	0.551	0.08	10	R432000021
NPT 3/8	5/16	1.281	0.512	0.63	0.729	7/8	0.552	0.63	0.09	10	R432000028
NPT 3/8	3/8	1.375	0.512	0.591	0.827	7/8	0.67	0.749	0.1	10	R432000024
NPT 3/8	1/2	1.474	0.512	0.552	0.887	7/8	0.827	0.906	0.13	10	R432000018
NPT 1/2	5/16	1.399	0.63	0.749	0.729	7/8	0.552	0.63	0.12	10	R432000025
NPT 1/2	3/8	1.556	0.63	0.749	0.827	7/8	0.67	0.749	0.12	10	R432000022
NPT 1/2	1/2	1.556	0.63	0.749	0.887	7/8	0.827	0.906	0.14	10	R432000016

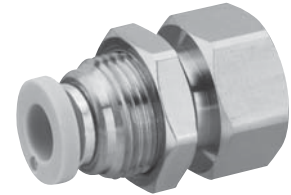
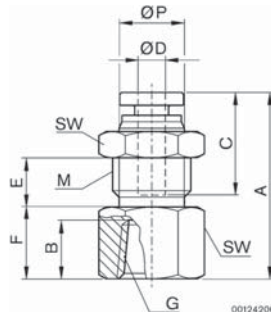
Dimensions in inches

Plastic fittings, series QR1-Inch Standard

10-32 UNF – 1/2" NPTF, straight fitting for Ø 5/32" to 1/2" tube



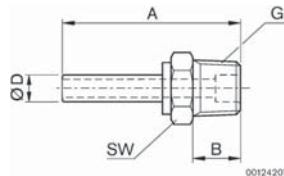
▲ ★ Bulkhead gland, series QR1-RSI



G	Ø D	M	A	B	C	E	F	SW	Ø P	Weight [lbs]	Per Pack	Part no.
NPT 1/8	1/4	UNF 9/16	1.084	0.355	0.67	0.251	0.351	11/16	0.473	0.06	10	R432000144
NPT 1/4	1/4	UNF 9/16	1.261	0.473	0.67	0.251	0.532	11/16	0.473	0.07	10	R432000143
NPT 1/4	5/16	UNF 5/8	1.414	0.473	0.729	0.325	0.552	3/4	0.552	0.09	10	R432000147
NPT 1/4	3/8	UNF 7/8	1.399	0.473	0.827	0.232	0.552	1	0.67	0.13	10	R432000145
NPT 3/8	5/16	UNF 5/8	1.454	0.512	0.729	0.325	0.591	3/4	0.552	0.08	10	R432000149
NPT 3/8	3/8	UNF 7/8	1.438	0.512	0.827	0.232	0.591	1	0.67	0.16	10	R432000146
NPT 3/8	1/2	UNF 7/8	1.517	0.512	0.887	0.335	0.591	1	0.796	0.18	10	R432000142

Dimensions in inches

▲ ★ Male stand pipe, series QR1-RAS



G	Ø D	A	B	SW	Weight [lbs]	Per Pack	Part no.
10-32 UNF	5/32	1.454	0.158	3/8	0.01	10	R432000045
10-32 UNF	1/4	1.651	0.158	3/8	0.03	10	R432000034
NPT 1/8	5/32	1.3	0.315	13/32	0.01	10	R432000047
NPT 1/8	1/4	1.497	0.315	13/32	0.04	10	R432000036
NPT 3/8	1/4	1.655	0.473	11/16	0.05	10	R432000037
NPT 1/4	5/32	1.418	0.433	9/16	0.03	10	R432000046
NPT 1/4	1/4	1.615	0.433	9/16	0.05	10	R432000035
NPT 1/4	5/16	1.694	0.433	9/16	0.06	10	R432000042
NPT 1/4	3/8	2.167	0.433	19/32	0.05	10	R432000039
NPT 1/4	1/2	2.443	0.433	23/32	0.07	10	R432000032
NPT 3/8	5/16	1.734	0.473	11/16	0.07	10	R432000044
NPT 3/8	3/8	1.931	0.473	11/16	0.06	10	R432000040
NPT 3/8	1/2	2.399	0.473	23/32	0.08	10	R432000033
NPT 1/2	3/8	2.049	0.591	27/32	0.08	10	R432000038
NPT 1/2	1/2	2.246	0.591	27/32	0.1	5	R432000031

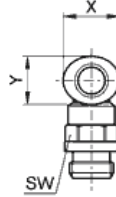
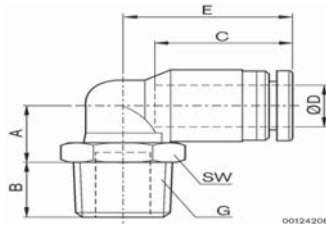
Dimensions in inches

Plastic fittings, series QR1-Inch Standard

10-32 UNF – 1/2" NPTF, straight fitting for Ø 5/32" to 1/2" tube



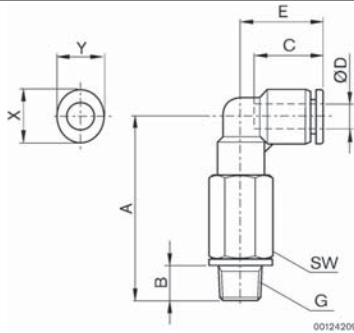
★ Male elbow, series QR1-RVT



G	Ø D	A	B	C	E	SW	X	Y	Weight [lbs]	Per Pack	Part no.
10-32UNF	5/32	0.65	0.217	0.630	0.713	5/16	0.473	0.394	0.01	10	R432000243
10-32UNF	1/4	0.69	0.217	0.670	0.812	5/16	0.552	0.473	0.02	10	R432000232
NPT 1/8	5/32	0.65	0.315	0.630	0.713	7/16	0.473	0.394	0.03	10	R432000245
NPT 1/8	1/4	0.67	0.315	0.670	0.812	7/16	0.552	0.473	0.03	10	R432000234
NPT 1/8	5/16	0.75	0.315	0.729	0.894	7/16	0.630	0.552	0.04	10	R432000241
NPT 1/8	3/8	0.94	0.310	0.830	1.026	11/16	0.670	0.750	0.07	10	R432002637
NPT 1/4	5/32	0.65	0.433	0.630	0.713	9/16	0.473	0.394	0.04	10	R432000244
NPT 1/4	1/4	0.71	0.433	0.670	0.812	9/16	0.552	0.473	0.05	10	R432000233
NPT 1/4	5/16	0.79	0.433	0.729	0.894	9/16	0.630	0.552	0.05	10	R432000240
NPT 1/4	3/8	0.94	0.433	0.827	1.028	19/32	0.749	0.670	0.07	10	R432000237
NPT 1/4	1/2	1.02	0.433	0.887	1.154	19/32	0.906	0.827	0.10	10	R432000230
NPT 3/8	1/4	0.75	0.473	0.670	0.812	11/16	0.552	0.473	0.07	10	R432000235
NPT 3/8	5/16	0.79	0.473	0.729	0.894	11/16	0.630	0.552	0.07	10	R432000242
NPT 3/8	3/8	0.94	0.473	0.827	1.028	11/16	0.749	0.670	0.09	10	R432000238
NPT 3/8	1/2	1.02	0.473	0.887	1.154	11/16	0.906	0.827	0.11	10	R432000231
NPT 1/2	5/16	0.83	0.591	0.729	0.894	7/8	0.630	0.552	0.11	10	R432000239
NPT 1/2	3/8	0.94	0.591	0.827	1.028	7/8	0.749	0.670	0.12	10	R432000236
NPT 1/2	1/2	1.02	0.591	0.887	1.154	7/8	0.906	0.827	0.13	10	R432000229

Dimensions in inches

★ Extended male elbow, series QR1-RVL



G	Ø D	A	B	C	E	SW	X	Y	Weight [lbs]	Per Pack	Part no.
10-32UNF	5/32	1.188	0.2 17	0.630	0.713	5/16	0.473	0.394	0.04	10	R432000226
10-32 UNF	1/4	1.236	0.2 17	0.670	0.813	5/16	0.552	0.473	0.04	10	R432000215
NPT 1/8	5/32	1.279	0.315	0.630	0.713	7/16	0.473	0.394	0.04	10	R432000228
NPT 1/8	1/4	1.326	0.315	0.670	0.813	7/16	0.552	0.473	0.06	10	R432000217
NPT 1/8	5/16	1.456	0.315	0.729	0.898	7/16	0.630	0.552	0.08	10	R432000224
NPT 1/8	3/8	1.990	0.315	0.830	1.026	11/16	0.670	0.750	0.13	10	R432002638
NPT 1/4	5/32	1.397	0.433	0.630	0.713	9/16	0.473	0.394	0.07	10	R432000227
NPT 1/4	1/4	1.444	0.433	0.670	0.812	9/16	0.552	0.473	0.08	10	R432000216
NPT 1/4	5/16	1.535	0.433	0.729	0.898	9/16	0.630	0.552	0.09	10	R432000223
NPT 1/4	3/8	1.964	0.433	0.827	1.028	19/32	0.749	0.670	0.14	10	R432000220
NPT 1/4	1/2	2.031	0.433	0.887	1.154	19/32	0.906	0.827	0.24	10	R432000213
NPT 3/8	1/4	1.503	0.473	0.670	0.812	11/16	0.552	0.473	0.12	10	R432000218
NPT 3/8	5/16	1.994	0.473	0.729	0.898	11/16	0.630	0.552	0.13	10	R432000225
NPT 3/8	3/8	1.929	0.473	0.827	1.028	11/16	0.749	0.670	0.16	10	R432000221
NPT 3/8	1/2	1.996	0.473	0.887	1.154	11/16	0.906	0.827	0.25	10	R432000214
NPT 1/2	3/8	2.047	0.59 1	0.827	1.028	7/8	0.749	0.670	0.23	10	R432000219
NPT 1/2	1/2	2.114	0.59 1	0.887	1.154	7/8	0.906	0.827	0.26	10	R432000212

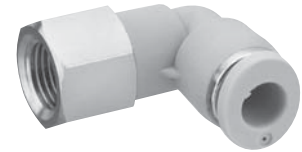
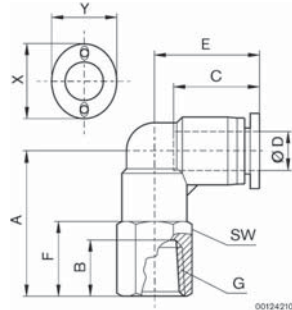
Dimensions in inches

Plastic fittings, series QR1-Inch Standard

10-32 UNF – 1/2" NPTF, straight fitting for Ø 5/32" to 1/2" tube

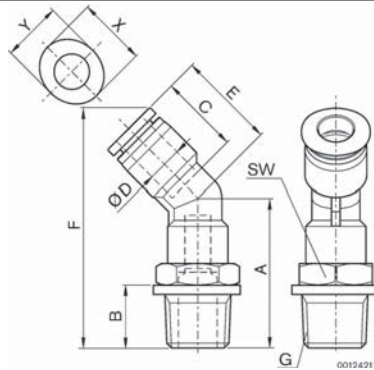


★ Elbow female fitting, series QR1-RVI



G	Ø D	A	B	C	E	F	SW	X	Y	Weight [lbs]	Per Pack	Part no.
10-32 UNF	5/32	0.63	0.197	0.63	0.729	0.315	7/16	0.473	0.394	0.02	10	R432000204
10-32 UNF	1/4	0.63	0.197	0.67	0.8	0.315	7/16	0.552	0.473	0.04	10	R432000194
NPT 1/8	5/32	0.67	0.236	0.63	0.729	0.433	9/16	0.473	0.394	0.02	10	R432000206
NPT 1/8	1/4	0.67	0.236	0.67	0.8	0.473	9/16	0.552	0.473	0.05	10	R432000196
NPT 1/8	5/16	1.024	0.355	0.729	0.89	0.473	9/16	0.63	0.552	0.04	10	R432000202
NPT 1/4	5/32	0.93	0.355	0.63	0.729	0.552	11/16	0.473	0.394	0.02	10	R432000205
NPT 1/4	1/4	0.906	0.355	0.67	0.8	0.552	11/16	0.552	0.473	0.05	10	R432000195
NPT 1/4	5/16	1.143	0.473	0.729	0.89	0.591	11/16	0.63	0.552	0.06	10	R432000201
NPT 1/4	3/8	1.3	0.473	0.827	1.064	0.512	11/16	0.749	0.67	0.07	10	R432000199
NPT 3/8	1/4	1.024	0.473	0.67	0.8	0.63	7/8	0.552	0.473	0.06	10	R432000197
NPT 3/8	5/16	1.182	0.512	0.729	0.89	0.591	7/8	0.63	0.552	0.07	10	R432000203
NPT 3/8	3/8	1.36	0.512	0.827	1.064	0.827	7/8	0.749	0.67	0.08	10	R432000200
NPT 1/2	3/8	1.497	0.63	0.827	1.064	0.887	7/8	0.749	0.67	0.1	10	R432000198

★ 45° Elbow, series QR1-RAT



G	Ø D	A	B	C	E	F	SW	X	Y	Weight [lbs]	Per Pack	Part no.
10-32 UNF	5/32	0.87	0.217	0.63	0.713	1.37	7/16	0.473	0.394	0.02	10	R432000298
10-32 UNF	1/4	0.91	0.217	0.67	0.812	1.481	1/2	0.552	0.473	0.02	10	R432000286
NPT 1/8	5/32	0.91	0.315	0.63	0.713	1.409	7/16	0.473	0.394	0.02	10	R432000300
NPT 1/8	1/4	0.989	0.315	0.67	0.812	1.56	1/2	0.552	0.473	0.03	10	R432000288
NPT 1/8	5/16	1.064	0.315	0.729	0.894	1.695	9/16	0.63	0.552	0.04	10	R432000296
NPT 1/8	3/8	1.261	0.315	0.827	1.028	1.984	11/16	0.749	0.67	0.07	10	R432000292
NPT 1/8	1/2	1.34	0.315	0.887	1.154	2.155	7/8	0.906	0.827	0.09	10	R432000284
NPT 1/4	5/32	1.087	0.433	0.63	0.713	1.472	9/16	0.473	0.394	0.04	10	R432000299
NPT 1/4	1/4	1.147	0.433	0.67	0.812	1.718	9/16	0.552	0.473	0.05	10	R432000287
NPT 1/4	5/16	1.221	0.433	0.729	0.894	1.853	9/16	0.63	0.552	0.05	10	R432000295
NPT 1/4	3/8	1.379	0.433	0.827	1.028	2.102	11/16	0.749	0.67	0.07	10	R432000291
NPT 1/4	1/2	1.458	0.433	0.887	1.154	2.273	7/8	0.906	0.827	0.1	10	R432000283
NPT 3/8	1/4	1.225	0.473	0.67	0.812	1.8	11/16	0.552	0.473	0.07	10	R432000289
NPT 3/8	5/16	1.261	0.473	0.729	0.894	1.892	11/16	0.63	0.552	0.07	10	R432000297
NPT 3/8	3/8	1.418	0.473	0.827	1.028	2.141	11/16	0.749	0.67	0.09	10	R432000293
NPT 3/8	1/2	1.497	0.473	0.887	1.154	2.313	7/8	0.906	0.827	0.11	10	R432000285
NPT 1/2	5/16	1.418	0.591	0.729	0.894	2.05	7/8	0.63	0.552	0.11	10	R432000294
NPT 1/2	3/8	1.537	0.591	0.827	1.028	2.26	7/8	0.749	0.67	0.12	10	R432000290
NPT 1/2	1/2	1.615	0.591	0.887	1.154	2.431	7/8	0.906	0.827	0.113	10	R432000282

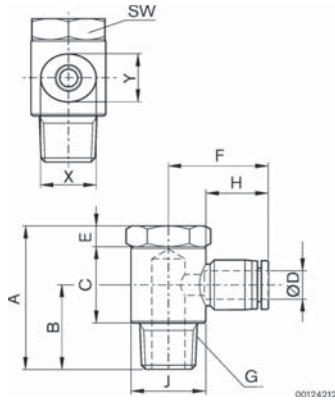
Dimensions in inches

Plastic fittings, series QR1-Inch Standard

10-32 UNF – 1/2" NPTF, straight fitting for Ø 5/32" to 1/2" tube



★ Single banjo, series QR1-RW1



G	Ø D	A	B	C	E	F	H	Ø J	SW	X	Y	Weight [lbs]	Per Pack	Part no.
10-32 UNF	5/32	0.607	–	0.351	0.118	0.78	0.63	0.411	13/32	0.473	0.394	0.02	10	R432000254
NPT 1/8	5/32	0.945	–	0.473	0.158	0.847	0.63	0.567	7/16	0.473	0.394	0.03	10	R432000255
NPT 1/8	1/4	0.945	–	0.473	0.158	0.93	0.67	0.567	7/16	0.552	0.473	0.04	10	R432000248
NPT 1/8	5/16	1.076	–	0.465	0.177	1.115	0.729	0.725	9/16	0.63	0.552	0.07	10	R432000253
NPT 1/4	1/4	1.076	–	0.465	0.177	1.013	0.67	0.725	9/16	0.552	0.473	0.06	10	R432000249
NPT 1/4	3/8	1.076	–	0.465	0.177	1.245	0.827	0.725	9/16	0.749	0.67	0.07	10	R432000250
NPT 1/4	5/16	1.281	–	0.611	0.197	1.131	0.729	0.867	3/4	0.63	0.552	0.12	10	R432000252
NPT 3/8	3/8	1.281	–	0.611	0.197	1.261	0.827	0.867	3/4	0.749	0.67	0.12	10	R432000251
NPT 3/8	1/2	1.281	–	0.611	0.197	1.43	0.887	0.867	3/4	0.906	0.827	0.13	10	R432000247
NPT 1/2	1/2	1.485	–	0.697	0.197	1.43	0.887	1.103	1	0.906	0.827	0.21	10	R432000246

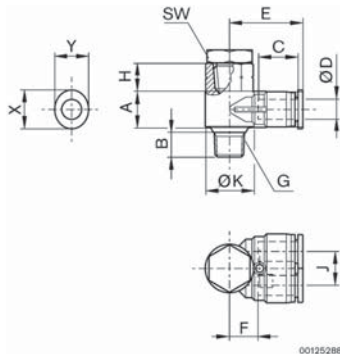
Dimensions in inches

Plastic fittings, series QR1-Inch Standard

10-32 UNF – 1/2" NPTF, straight fitting for Ø 5/32" to 1/2" tube



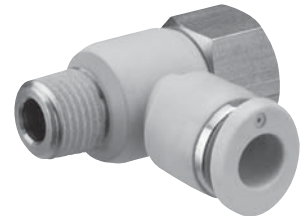
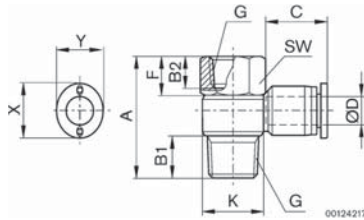
★ Double banjo, series QR1-RWD



G	Ø D	A	B	B2	C	E	H	J	Ø K	SW	X	Y	Weight [lbs]	Per Pack	Part no.
10-32 UNF	5/32	0.351	0.158	--	0.63	0.827	0.256	0.394	0.394	5/16	0.473	0.394	0.02	10	R432000011
NPT 1/8	1/4	0.591	0.315	--	0.67	1.19	0.453	0.552	0.788	9/16	0.552	0.473	0.06	10	R432000008
NPT 1/4	5/16	0.709	0.433	--	0.729	1.351	0.532	0.67	0.906	11/16	0.63	0.552	0.11	10	R432000010
NPT 3/8	3/8	0.827	0.473	--	0.827	1.509	0.67	0.788	1.182	7/8	0.749	0.67	0.18	10	R432000009
NPT 1/2	1/2	0.827	0.591	--	0.887	1.509	0.67	0.788	1.182	1	0.906	0.827	0.29	10	R432000007

Dimensions in inches

★ Single banjo, internal thread, series QR1-RIW



G	Ø D	A	B1	B2	C	F	Ø K	SW	X	Y	Weight [lbs]	Per Pack	Part no.
10-32 UNF	5/32	0.827	0.158	0.197	0.63	0.256	0.394	5/16	0.473	0.394	0.02	10	R432000086
10-32 UNF	1/4	0.827	0.158	0.197	0.67	0.256	0.394	5/16	0.552	0.473	0.02	10	R432000078
NPT 1/8	5/32	0.887	0.197	0.236	0.63	0.276	0.394	9/16	0.473	0.394	0.04	10	R432000087
NPT 1/8	1/4	1.418	0.433	0.473	0.67	0.453	0.567	9/16	0.552	0.473	0.05	10	R432000080
NPT 1/8	5/16	1.198	0.315	0.355	0.729	0.374	0.567	9/16	0.63	0.552	0.05	10	R432000084
NPT 1/4	1/4	1.418	0.433	0.473	0.67	0.453	0.725	11/16	0.552	0.473	0.08	10	R432000079
NPT 1/4	5/16	1.418	0.433	0.473	0.729	0.453	0.725	11/16	0.63	0.552	0.08	10	R432000083
NPT 1/4	3/8	1.418	0.433	0.473	0.827	0.453	0.725	11/16	0.749	0.67	0.09	10	R432000081
NPT 3/8	5/16	1.647	0.473	0.512	0.729	0.532	0.867	7/8	0.63	0.522	0.14	10	R432000085
NPT 3/8	3/8	1.647	0.473	0.512	0.827	0.552	0.867	7/8	0.749	0.67	0.14	10	R432000082
NPT 3/8	1/2	1.647	0.473	0.512	0.887	0.552	0.867	7/8	0.906	0.827	0.16	10	R432000077
NPT 1/2	1/2	2.009	0.591	0.63	0.887	0.67	1.103	1	0.906	0.827	0.24	10	R432000076

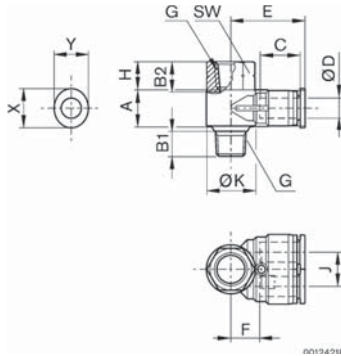
Dimensions in inches

Plastic fittings, series QR1-Inch Standard

10-32 UNF – 1/2" NPTF, straight fitting for Ø 5/32" to 1/2" tube



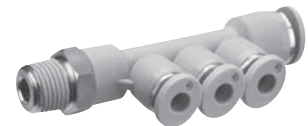
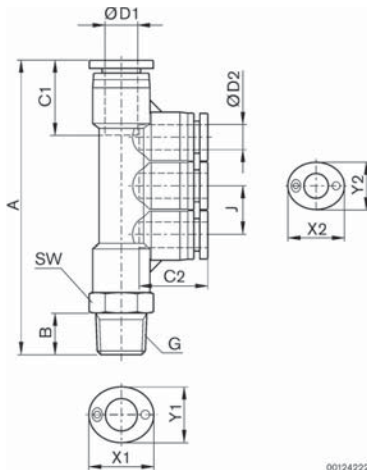
★ Double banjo with internal thread, series QR1-RID



G	Ø D	A	B1	B2	C	E	H	J	Ø K	SW	X	Y	Weight [lbs]	Per Pack	Part no.
10-32 UNF	5/32	0.351	0.158	0.197	0.63	0.827	0.256	0.394	0.394	5/16	0.473	0.394	0.02	10	R432000075
NPT 1/8	1/4	0.591	0.315	0.473	0.67	1.19	0.453	0.552	0.788	9/16	0.552	0.473	0.06	10	R432000072
NPT 1/4	5/16	0.709	0.433	0.512	0.729	1.351	0.532	0.67	0.906	11/16	0.63	0.552	0.11	10	R432000074
NPT 3/8	3/8	0.827	0.473	0.63	0.827	1.509	0.67	0.788	1.182	7/8	0.749	0.67	0.18	10	R432000073
NPT 1/2	1/2	0.827	0.591	0.63	0.887	1.509	0.67	0.788	1.182	1	0.906	0.827	0.29	10	R432000071

Dimensions in inches

★ Reducing manifold, series QR1-RMG



G	Ø D1	Ø D2	A	B	C1	C2	J	SW	X1	Y1	X2	Y2	Weight [lbs]	per Pack	Part no.
NPT 1/4	5/16	5/32	2.51	0.433	0.729	0.63	0.394	9/16	0.63	0.552	0.473	0.394	0.07	10	R432000112
NPT 1/4	5/16	1/4	2.695	0.433	0.729	0.67	0.473	9/16	0.63	0.552	0.552	0.473	0.07	10	R432000111
NPT 3/8	3/8	5/16	2.34	0.473	0.827	0.729	0.552	7/32	0.63	0.67	0.63	0.552	0.12	10	R432000110

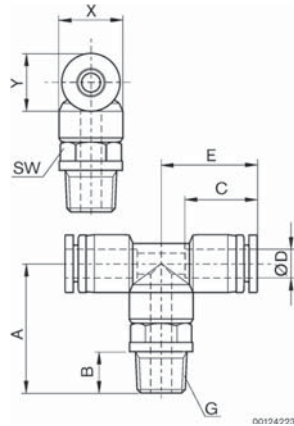
Dimensions in inches

Plastic fittings, series QR1-Inch Standard

10-32 UNF – 1/2" NPTF, straight fitting for Ø 5/32" to 1/2" tube



▲ ★ Male branch TEE, series QR1-RTT



G	Ø D	A	B	C	E	SW	X	Y	Weight [lbs]	Per Pack	Part no.
10-32 UNF	Ø5/32	0.87	0.22	0.63	0.71	7/16	0.47	0.39	0.03	10	R432000185
10-32 UNF	Ø1/4	0.91	0.22	0.67	0.81	1/2	0.55	0.47	0.03	10	R432000174
1/8 NPT	Ø5/32	0.97	0.32	0.63	0.71	7/16	0.47	0.39	0.03	10	R432000187
1/8 NPT	Ø1/4	0.99	0.32	0.67	0.81	1/2	0.55	0.47	0.04	10	R432000176
1/8 NPT	Ø5/16	1.06	0.32	0.73	0.89	9/16	0.63	0.55	0.04	10	R432000183
1/8 NPT	Ø3/8	1.26	0.32	0.83	1.03	11/16	0.75	0.67	0.08	10	R432002639
1/4 NPT	Ø5/32	1.09	0.43	0.63	0.71	9/16	0.47	0.39	0.04	10	R432000186
1/4 NPT	Ø1/4	1.15	0.43	0.67	0.81	9/16	0.55	0.47	0.05	10	R432000175
1/4 NPT	Ø5/16	1.22	0.43	0.73	0.89	9/16	0.63	0.55	0.06	10	R432000182
1/4 NPT	Ø3/8	1.38	0.43	0.83	1.03	11/16	0.75	0.67	0.09	10	R432000179
1/4 NPT	Ø1/2	1.46	0.43	0.89	1.15	7/8	0.91	0.83	0.11	5	R432000172
3/8 NPT	Ø5/32	1.13	0.47	0.63	0.71	11/16	0.47	0.39	0.07	5	R432000188
3/8 NPT	Ø1/4	1.23	0.47	0.67	0.81	11/16	0.55	0.47	0.08	10	R432000177
3/8 NPT	Ø5/16	1.26	0.47	0.73	0.89	11/16	0.63	0.55	0.08	10	R432000184
3/8 NPT	Ø3/8	1.42	0.47	0.83	1.03	11/16	0.75	0.67	0.1	10	R432000180
3/8 NPT	Ø1/2	1.5	0.47	0.89	1.15	7/8	0.91	0.83	0.13	5	R432000173
1/2 NPT	Ø5/16	1.43	0.59	0.73	0.89	7/8	0.63	0.55	0.09	10	R432000181
1/2 NPT	Ø3/8	1.54	0.59	0.83	1.03	7/8	0.75	0.67	0.14	10	R432000178
1/2 NPT	Ø1/2	1.62	0.59	0.89	1.15	7/8	0.91	0.83	0.15	5	R432000171

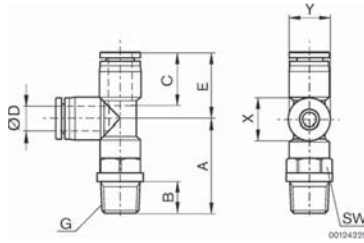
Dimensions in inches

Plastic fittings, series QR1-Inch Standard

10-32 UNF – 1/2" NPTF, straight fitting for Ø 5/32" to 1/2" tube



▲ ★ Male run TEE, series QR1-RLT



G	Ø D	A	B	C	E	SW	X	Y	Weight [lbs]	per Pack	Part no.
10-32 UNF	5/32	0.871	0.217	0.63	0.713	7/16	0.473	0.394	0.03	10	R432000107
10-32 UNF	1/4	0.906	0.217	0.67	0.812	1/2	0.552	0.473	0.03	10	R432000096
NPT 1/8	5/32	0.969	0.315	0.63	0.713	7/16	0.473	0.394	0.03	10	R432000109
NPT 1/8	1/4	0.985	0.315	0.67	0.812	1/2	0.552	0.473	0.04	10	R432000098
NPT 1/8	5/16	1.004	0.315	0.729	0.89	9/16	0.63	0.552	0.04	10	R432000104
NPT 1/4	5/32	1.087	0.433	0.63	0.713	9/16	0.473	0.394	0.04	10	R432000108
NPT 1/4	1/4	1.143	0.433	0.67	0.812	9/16	0.552	0.473	0.05	10	R432000097
NPT 1/4	5/16	1.162	0.433	0.729	0.89	9/16	0.63	0.552	0.06	10	R432000105
NPT 1/4	3/8	1.379	0.433	0.827	1.028	11/16	0.749	0.67	0.09	10	R432000101
NPT 1/4	1/2	1.458	0.433	0.887	1.143	7/8	0.906	0.827	0.12	10	R432000094
NPT 3/8	1/4	1.221	0.473	0.67	0.812	11/16	0.552	0.473	0.08	10	R432000099
NPT 3/8	5/16	1.202	0.473	0.729	0.89	11/16	0.63	0.552	0.08	10	R432000106
NPT 3/8	3/8	1.418	0.473	0.827	1.028	11/16	0.749	0.67	0.11	10	R432000102
NPT 3/8	1/2	1.467	0.473	0.887	1.143	7/8	0.906	0.827	0.13	10	R432000095
NPT 1/2	5/16	1.36	0.591	0.729	0.89	20	0.63	0.552	0.11	10	R432000103
NPT 1/2	3/8	1.537	0.591	0.827	1.028	7/8	0.749	0.67	0.14	10	R432000100
NPT 1/2	1/2	1.615	0.591	0.887	1.143	7/8	0.906	0.827	0.15	10	R432000093

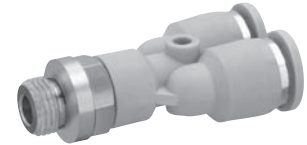
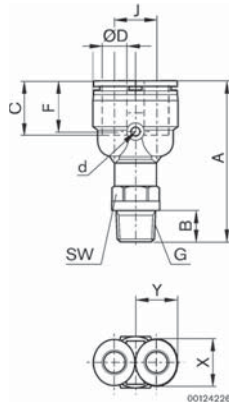
Dimensions in inches

Plastic fittings, series QR1-Inch Standard

10-32 UNF – 1/2" NPTF, straight fitting for Ø 5/32" to 1/2" tube



▲ ★ Y-fitting, series QR1-RAY



G	Ø D	A	B	C	SW	J	X	Y	Weight [lbs]	Per Pack	Part no.
10-32 UNF	5/32	1.563	0.217	0.63	7/16	0.378	0.394	0.472	0.422	10	R432000473
10-32 UNF	1/4	1.642	0.217	0.67	1/2	0.472	0.472	0.551	0.503	10	R432000476
NPT 1/8	5/32	1.661	0.315	0.63	7/16	0.378	0.394	0.472	0.496	10	R432000474
NPT 1/8	1/4	1.720	0.315	0.67	1/2	0.472	0.472	0.551	0.577	10	R432000477
NPT 1/8	5/16	1.878	0.217	0.729	9/16	0.551	0.551	0.630	0.732	10	R432000480
NPT 1/8	3/8	2.173	0.315	0.827	11/16	0.709	0.669	0.748	1.109	10	R432000484
NPT 1/4	5/32	1.772	0.433	0.63	9/16	0.378	0.394	0.472	0.708	10	R432000475
NPT 1/4	5/16	2.035	0.315	0.728	9/16	0.551	0.551	0.630	0.989	10	R432000481
NPT 1/4	1/4	1.878	0.433	0.669	9/16	0.472	0.472	0.551	0.852	10	R432000478
NPT 1/4	3/8	2.291	0.433	0.827	11/16	0.709	0.669	0.748	0.366	10	R432000485
NPT 1/4	1/2	2.390	0.433	0.887	7/8	0.819	0.827	0.906	1.950	10	R432000488
NPT 3/8	1/4	1.957	0.472	0.67	11/16	0.472	0.472	0.551	1.274	10	R432000479
NPT 3/8	5/16	2.075	0.433	0.729	11/16	0.551	0.551	0.630	1.257	10	R432000482
NPT 3/8	3/8	2.331	0.472	0.827	11/16	0.709	0.669	0.748	1.742	10	R432000486
NPT 3/8	1/2	2.429	0.472	0.887	7/8	0.819	0.827	0.906	2.052	10	R432000489
NPT 1/2	5/16	2.232	0.472	0.729	7/8	0.551	0.551	0.630	1.767	10	R432000483
NPT 1/2	3/8	2.449	0.591	0.827	7/8	0.709	0.669	0.748	2.242	10	R432000487
NPT 1/2	1/2	2.547	0.591	0.887	7/8	0.819	0.827	0.906	2.478	10	R432000490

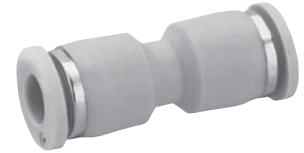
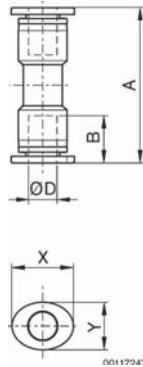
Dimensions in inches

Plastic fittings, series QR1-Inch Standard

10-32 UNF – 1/2" NPTF, straight fitting for Ø 5/32" to 1/2" tube



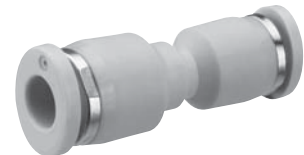
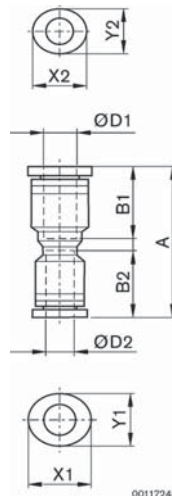
★ Straight union, series QR1-RSK



Ø D	A	B	X	Y	Weight [lbs]	per Pack	Part no.
5/32	1.269	0.63	0.473	0.394	0.01	10	R432000154
1/4	1.395	0.67	0.552	0.473	0.01	10	R432000151
5/16	1.537	0.729	0.63	0.552	0.02	10	R432000153
3/8	1.694	0.827	0.749	0.67	0.03	10	R432000152
1/2	1.852	0.887	0.906	0.827	0.04	10	R432000150

Dimensions in inches

★ Reducing union, series QR1-RSR



Ø D1	Ø D2	A	B1	B2	X1	Y1	X2	Y2	Weight [lbs]	per Pack	Part no.
1/4	5/32	1.411	0.709	0.63	0.552	0.473	0.473	0.394	0.01	10	R432000162
5/16	1/4	1.525	0.729	0.67	0.63	0.552	0.552	0.473	0.01	10	R432000164
3/8	1/4	1.694	0.827	0.756	0.749	0.552	0.552	0.473	0.07	10	R432000161
3/8	5/16	1.675	0.827	0.729	0.749	0.67	0.63	0.552	0.02	10	R432000163
1/2	3/8	1.832	0.875	0.827	0.906	0.827	0.749	0.67	0.04	10	R432000160

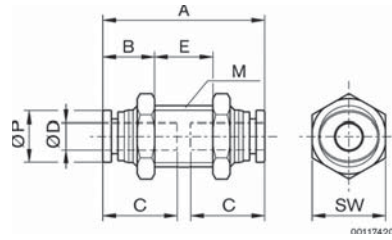
Dimensions in inches

Plastic fittings, series QR1-Inch Standard

10-32 UNF – 1/2" NPTF, straight fitting for \varnothing 5/32" to 1/2" tube



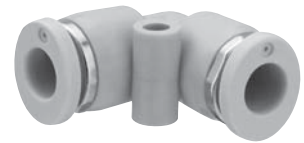
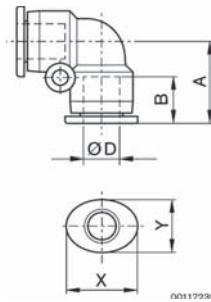
▲ Bulkhead union, metal, series QR1-RSM



\varnothing D	M	A	B	C	E	SW	\varnothing P	Weight [lbs]	Per Pack	Part no.
5/32	UNF 1/2	1.269	0.741	0.630	0.339	9/16	0.394	0.04	10	R432000159
3/16	UNF 9/16	1.390	0.480	0.669	0.429	11/16	0.406	0.06	10	R432030411
1/4	UNF 9/16	1.407	0.508	0.669	0.390	11/16	0.473	0.06	10	R432000156
5/16	UNF 5/8	1.509	0.571	0.729	0.366	3/4	0.552	0.07	10	R432000158
3/8	UNF 7/8	1.706	0.646	0.827	0.414	1	0.669	0.17	10	R432000157
1/2	UNF 7/8	1.891	0.615	0.887	0.662	1	0.796	0.16	10	R432000155

Dimensions in inches

▲★ Elbow union, series QR1-RVK



\varnothing D	A	B	X	Y	Weight [lbs]	per Pack	Part no.
5/32	0.713	0.63	0.473	0.394	0.01	10	R432000211
1/4	0.812	0.67	0.552	0.473	0.01	10	R432000208
5/16	0.898	0.729	0.63	0.552	0.02	10	R432000210
3/8	1.028	0.827	0.749	0.67	0.03	10	R432000209
1/2	1.143	0.887	0.906	0.827	0.04	10	R432000207

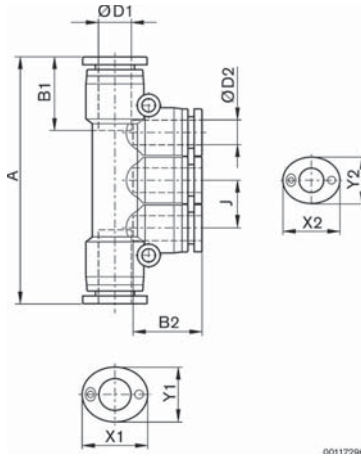
Dimensions in inches

Plastic fittings, series QR1-Inch Standard

10-32 UNF – 1/2" NPTF, straight fitting for Ø 5/32" to 1/2" tube



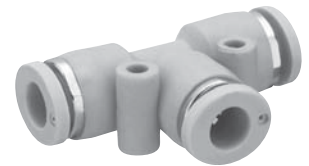
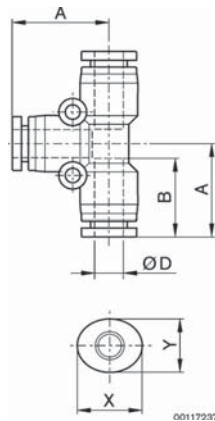
★ Triple reducing manifold, series QRT-RMT



Ø D1	Ø D2	A	B1	B2	J	X1	Y1	X2	Y2	Weight [lbs]	per Pack	Part no.
5/16	5/32	2.443	0.729	0.63	0.394	0.63	0.552	0.473	0.394	0.04	10	R432000121
5/16	1/4	3.12	0.729	0.67	0.473	0.63	0.552	0.552	0.473	0.04	10	R432000119
3/8	1/4	3.357	0.827	0.67	0.473	0.749	0.67	0.552	0.473	0.06	10	R432000122
3/8	5/16	3.357	0.827	0.729	0.552	0.749	0.67	0.63	0.552	0.07	10	R432000118

Dimensions in inches

★ Tube to tube TEE, series QR1-RTK



Ø D	A	B	X	Y	Weight [lbs]	per Pack	Part no.
5/32	0.713	0.63	0.473	0.394	0.02	10	R432000170
1/4	0.812	0.67	0.552	0.473	0.02	10	R432000167
5/16	0.894	0.729	0.63	0.552	0.03	10	R432000169
3/8	1.028	0.827	0.749	0.67	0.05	10	R432000168
1/2	1.154	0.887	0.906	0.827	0.07	10	R432000166

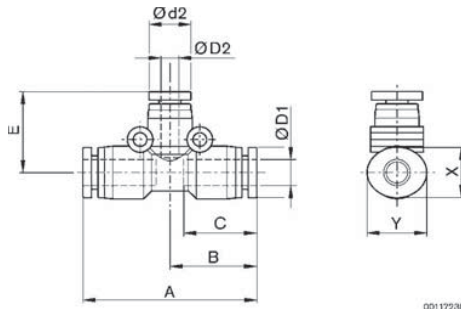
Dimensions in inches

Plastic fittings, series QR1-Inch Standard

10-32 UNF – 1/2" NPTF, straight fitting for Ø 5/32" to 1/2" tube



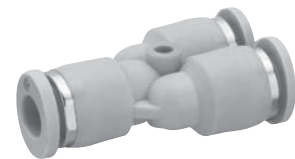
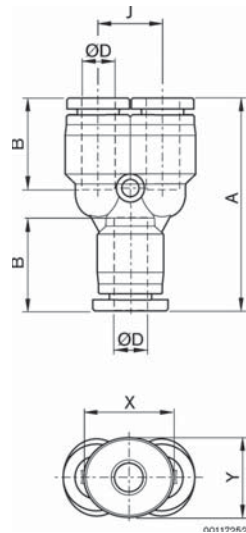
▲ ★ T-plug connector, reducing, series QR1-RTR



D1	D2	d2	A	B	C	E	X	Y	Weight [lbs]	Per Pack	Part no.
1/4	5/32	0.409	1.60	0.80	0.67	0.75	0.47	0.55	0.02	10	R432003253
5/16	5/32	0.409	1.79	0.89	0.73	0.83	0.55	0.63	0.03	10	R432003254
3/8	1/4	0.488	2.05	1.03	0.83	1.00	0.67	0.75	0.07	10	R432003256
3/8	5/16	0.566	2.05	1.03	0.83	0.92	0.67	0.75	0.04	10	R432003257
1/2	5/16	0.566	2.30	1.15	0.89	1.02	0.83	0.90	0.08	10	R432003258
1/2	3/8	0.692	2.30	1.15	0.89	1.07	0.83	0.90	0.06	10	R432003259

Dimensions in inches

▲ ★ Tube to tube Y, series QR1-RYK



Ø D	A	B	J	X	Y	Weight [lbs]	per Pack	Part no.
5/32	1.367	0.63	0.378	0.473	0.394	0.02	10	R432000270
1/4	1.552	0.67	0.473	0.552	0.473	0.02	10	R432000267
5/16	1.793	0.729	0.552	0.63	0.552	0.03	10	R432000269
3/8	1.99	0.827	0.709	0.749	0.67	0.06	10	R432000268
1/2	2.088	0.887	0.82	0.906	0.827	0.06	10	R432000266

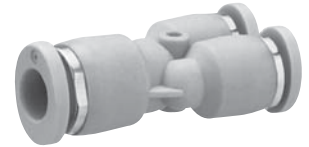
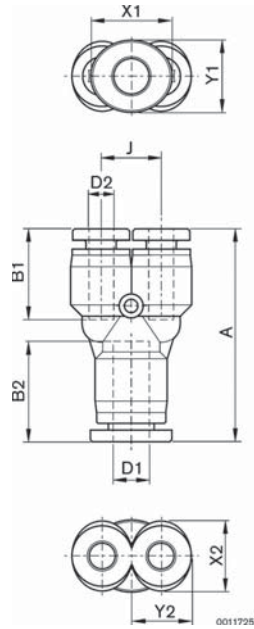
Dimensions in inches

Plastic fittings, series QR1-Inch Standard

10-32 UNF – 1/2" NPTF, straight fitting for \varnothing 5/32" to 1/2" tube



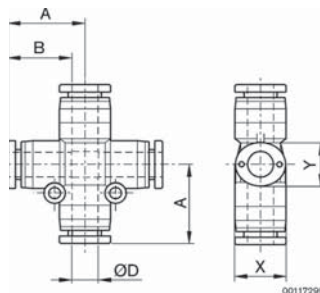
★ Reducing Y, series QR1-RYR



\varnothing D1	\varnothing D2	A	B1	B2	J	X1	Y1	X2	Y2	Weight [lbs]	per Pack	Part no.
1/4	5/32	1.454	0.67	0.67	0.418	0.552	0.473	0.473	0.394	0.03	10	R432000273
5/16	1/4	1.6	0.67	0.729	0.473	0.63	0.552	0.552	0.473	0.02	10	R432000272
3/8	1/4	-	0.693	0.756	0.709	0.749	0.67	0.552	0.473	0.07	10	R432000274
3/8	5/16	1.946	0.729	0.827	0.552	0.749	0.67	0.63	0.552	0.04	10	R432000276
1/2	3/8	2.108	0.827	0.887	0.709	0.906	0.827	0.749	0.67	0.06	10	R432000271

Dimensions in inches

★ Cross union, series QR1-RXS



\varnothing D	A	B	X	Y	Weight [lbs]	per Pack	Part no.
5/32	0.729	0.63	0.394	0.473	0.09	10	R432000260
1/4	0.898	0.67	0.473	0.552	0.03	10	R432000257
5/16	1.024	0.729	0.552	0.63	0.04	10	R432000259
3/8	1.15	0.827	0.67	0.749	0.06	10	R432000258
1/2	1.154	0.887	0.827	0.906	0.09	10	R432000256

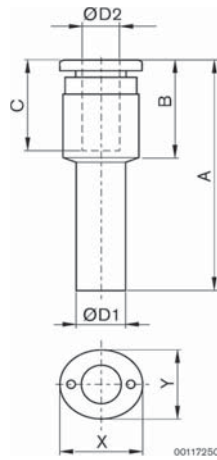
Dimensions in inches

Plastic fittings, series QR1-Inch Standard

10-32 UNF – 1/2" NPTF, straight fitting for Ø 5/32" to 1/2" tube



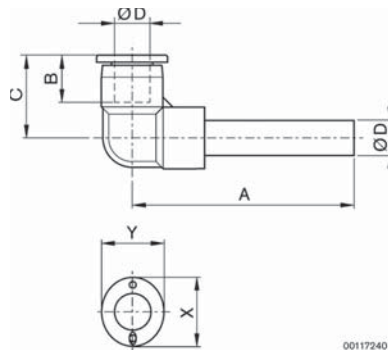
★ Straight reducer, series QR1-RED



Ø D1	Ø D2	A	B	C	X	Y	Weight [lbs]	Per Pack	Part no.
1/4	5/32	1.6	0.693	0.67	0.473	0.394	0.01	10	R432000066
5/16	5/32	1.702	0.693	0.729	0.473	0.394	0.01	10	R432000070
5/16	1/4	1.741	0.756	0.729	0.552	0.473	0.01	10	R432000069
3/8	1/4	1.82	0.756	0.827	0.552	0.473	0.01	10	R432000067
3/8	5/16	1.872	0.801	0.827	0.63	0.552	0.01	10	R432000068
1/2	1/4	1.899	0.756	0.67	0.552	0.473	0.01	10	R432000063
1/2	5/16	1.95	0.801	0.729	0.63	0.552	0.02	10	R432000065
1/2	3/8	2.065	0.906	0.827	0.749	0.67	0.02	10	R432000064

Dimensions in inches

★ Push-in elbow, series QR1-RVA



Ø D	A	B	C	X	Y	Weight [lbs]	Per Pack	Part no.
5/32	1.206	0.63	0.713	0.473	0.394	0.01	10	R432000193
1/4	1.422	0.67	0.812	0.552	0.473	0.01	10	R432000190
5/16	1.576	0.729	0.898	0.63	0.552	0.02	10	R432000192
3/8	1.848	0.827	1.028	0.749	0.67	0.03	10	R432000191
1/2	2.049	0.887	1.154	0.906	0.827	0.05	10	R432000189

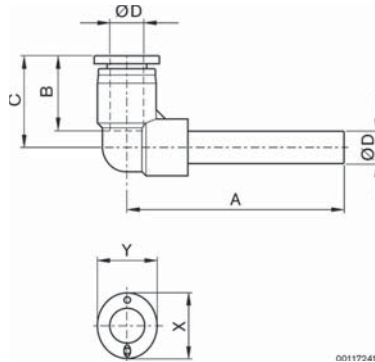
Dimensions in inches

Plastic fittings, series QR1-Inch Standard

10-32 UNF – 1/2" NPTF, straight fitting for Ø 5/32" to 1/2" tube



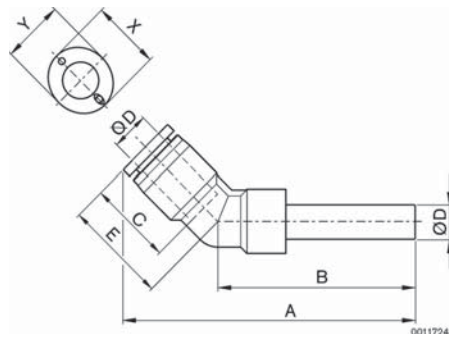
▲ ★ Extended push-in elbow, series QR1-RLL



Ø D	A	B	C	X	Y	Weight [lbs]	Per Pack	Part no.
5/32	1.548	0.63	0.737	0.473	0.394	0.01	10	R432000092
1/4	1.962	0.67	0.831	0.552	0.473	0.01	10	R432000089
5/16	2.128	0.729	0.898	0.63	0.552	0.02	10	R432000091
3/8	2.443	0.827	1.028	0.749	0.67	0.03	10	R432000090
1/2	2.699	0.887	1.154	0.906	0.827	0.04	10	R432000088

Dimensions in inches

▲ ★ Push-in 45° elbow, series QR1-RVW



Ø D	A	B	C	E	X	Y	Weight [lbs]	Per Pack	Part No.
5/32	1.787	1.206	0.63	0.713	0.473	0.394	0.01	10	R432000281
1/4	2.072	1.501	0.67	0.792	0.552	0.473	0.02	10	R432000278
5/16	2.286	1.773	0.729	0.894	0.63	0.552	0.03	10	R432000280
3/8	2.614	1.891	0.827	1.028	0.749	0.67	0.04	10	R432000279
1/2	2.943	2.128	0.887	1.154	0.906	0.827	0.06	10	R432000277

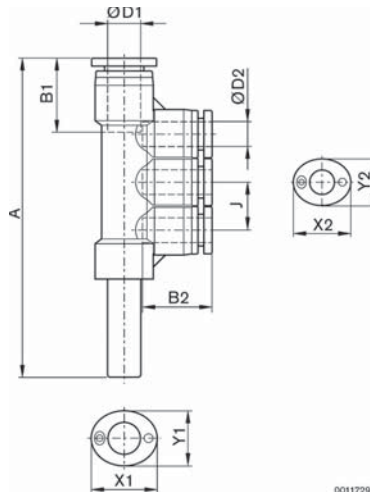
Dimensions in inches

Plastic fittings, series QR1-Inch Standard

10-32 UNF – 1/2" NPTF, straight fitting for \varnothing 5/32" to 1/2" tube



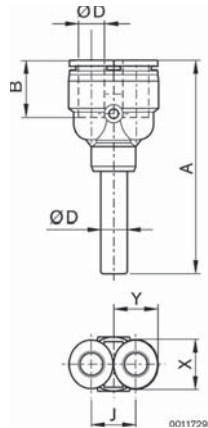
★ Push-in reducing manifold, series QRT-RMS



\varnothing D1	\varnothing D2	A	B1	B2	J	X1	Y1	X2	Y2	Weight [lbs]	Per Pack	Part no.
1/4	5/32	2.982	0.729	0.709	0.394	0.552	0.473	0.473	0.394	0.03	10	R432000113
5/16	5/32	3.081	0.729	0.63	0.394	0.63	0.552	0.473	0.394	0.04	10	R432000117
5/16	1/4	3.235	0.729	0.67	0.473	0.63	0.552	0.552	0.473	0.04	10	R432000115
3/8	5/16	4.121	0.827	0.729	0.552	0.749	0.67	0.63	0.552	0.07	10	R432000114

Dimensions in inches

★ Push-in Y, series QR1-RY2



\varnothing D	A	B	J	X	Y	Weight [lbs]	Per Pack	Part no.
5/32	1.899	0.63	0.378	0.473	0.394	0.02	10	R432000265
1/4	1.501	0.67	0.473	0.552	0.473	0.02	10	R432000262
5/16	1.655	0.729	0.552	0.63	0.552	0.03	10	R432000264
3/8	1.891	0.827	0.709	0.749	0.67	0.05	10	R432000263
1/2	2.128	0.887	0.82	0.906	0.827	0.07	10	R432000261

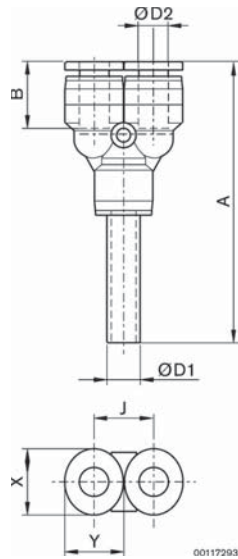
Dimensions in inches

Plastic fittings, series QR1-Inch Standard

10-32 UNF – 1/2" NPTF, straight fitting for Ø 5/32" to 1/2" tube



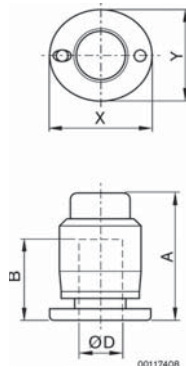
▲ ★ Push-in reducing Y, series QR1-R2R



Ø D1	Ø D2	A	B	J	X	Y	Weight [lbs]	Per Pack	Part no.
1/4	5/32	2.175	0.63	0.378	0.473	0.394	0.02	10	R432000013
5/16	1/4	2.313	0.67	0.473	0.552	0.473	0.02	10	R432000015
3/8	5/16	2.155	0.729	0.552	0.63	0.552	0.04	10	R432000014
1/2	3/8	2.963	0.827	0.709	0.749	0.67	0.06	10	R432000012

Dimensions in inches

▲ ★ Blanking cap, series QR1-RCA



Ø D	A	B	X	Y	Weight [lbs]	Per Pack	Part no.
5/32	0.689	0.603	0.473	0.394	0.08	20	R432002351
1/4	0.768	0.67	0.552	0.473	0.01	20	R432000052
5/16	0.803	0.723	0.552	0.630	0.15	20	R432002352
3/8	0.926	0.827	0.749	0.67	0.02	20	R432000053
1/2	1.004	0.887	0.906	0.827	0.02	20	R432000051

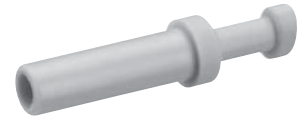
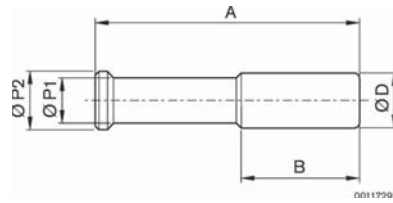
Dimensions in inches

Plastic fittings, series QR1-Inch Standard

10-32 UNF – 1/2" NPTF, straight fitting for Ø 5/32" to 1/2" tube



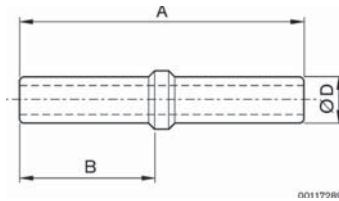
▲ ★ Blanking plug, series QR1-RBS



Ø D	A	B	Ø P1	Ø P2	Weight [lbs]	per Pack	Part no.
5/32	1.102	0.630	0.118	0.157	0.018	20	R432002353
1/4	1.261	0.67	0.177	0.25	0.01	20	R432000049
5/16	1.654	0.728	0.276	0.394	0.05	20	R432002354
3/8	1.655	0.827	0.276	0.374	0.01	20	R432000050
1/2	1.734	0.887	0.335	0.5	0.01	20	R432000048

Dimensions in inches

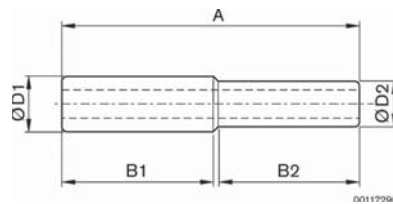
▲ ★ Male connector, series QR1-RDS



Ø D1	Ø D2	A	B	Weight [lbs]	per Pack	Part no.
5/32	5/32	1.38	0.630	0.01	20	R432000062
1/4	1/4	1.46	0.670	0.01	20	R432000056
5/16	5/16	1.81	0.830	0.01	20	R432000060
3/8	3/8	1.97	0.827	0.01	20	R432000058
1/2	1/2	1.97	0.887	0.01	20	R432000054

Dimensions in inches

▲ ★ Male connector, reducing, series QR1-RDR



Ø D1	Ø D2	A	B1	B2	Weight [g]	per Pack	Part no.
1/4	5/32	1.418	0.67	0.63	0.01	20	R432000057
5/16	1/4	1.537	0.729	0.67	0.01	20	R432000061
3/8	5/16	1.694	0.827	0.827	0.01	20	R432000059
1/2	3/8	1.891	0.887	0.887	0.01	20	R432000055

Dimensions in inches

Plastic fittings, series QR1-Inch Mini



Products

Technical Data

See page 5



Accessories

▲ ★ Straight fitting, external hex, series QR1-MAN

See page 28



▲ ★ Straight fitting, internal hex, series QR1-MIN

See page 28



▲ ★ Straight female, series QR1-MAI

See page 29



▲ ★ Elbow, series QR1-MVT

See page 29



▲ ★ Extended elbow, series QR1-MVL

See page 30



▲ ★ Male branch TEE, series QR1-MTT

See page 31



▲ ★ Male run TEE, series QR1-MLT

See page 31



▲ ★ Straight union, series QR1-MSK

See page 32



▲ ★ Reducing union, series QR1-MSR

See page 32



▲ ★ Bulkhead connector metal, series QR1-MSM

See page 33



▲ ★ Elbow union, series QR1-MVK

See page 33



▲ ★ Union TEE, series QR1-MTK

See page 34



Plastic fittings, series QR1-Inch Mini

AVENTICS®

▲ Accessories

▲ ★ Tube to tube Y, series QR1-MYK

See page 34



▲ ★ Reducing Y, series QR1-MYR

See page 35



▲ ★ Cross connector, series QR1-MXS

See page 35



▲ ★ Straight reducer, series QR1-MED

See page 36



▲ ★ Push-in elbow, series QR1-MVA

See page 36



▲ ★ Push-in Y, series QR1-MYZ

See page 37



▲ ★ Push-in reduc. Y, ser. QR1-MY2

See page 37



▲ ★ Blanking cap, series QR1-MCA

See page 38



▲ ★ Plug, series QR1-MBS

See page 38

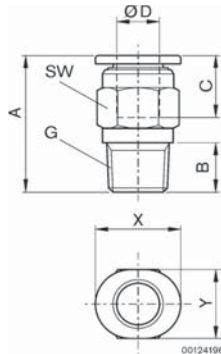


Plastic fittings, series QR1-Inch Mini

10-32 UNF - 1/8 NPTF, push-in fitting for tubes Ø 1/8 to 1/4 INCH



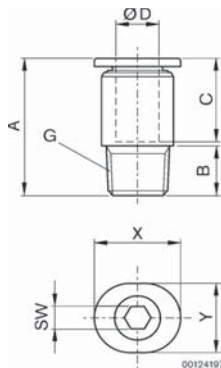
▲ ★ Straight fitting, external hex, series QR1-MAN



G	Ø D	A	B	C	SW	X	Y	Weight [lbs]	per Pack	Part no.
10-32 UNF	1/8	0.461	0.138	0.406	5/16	0.284	0.244	0.01	25	R432000322
NPT1/8	1/8	0.563	0.315	0.406	13/32	0.284	0.244	0.01	25	R432000321
10-32 UNF	5/32	0.634	0.138	0.441	5/16	0.394	0.315	0.01	25	R432000332
NPT1/8	5/32	0.599	0.315	0.441	13/32	0.394	0.315	0.01	25	R432000330
10-32 UNF	1/4	0.678	0.138	0.461	13/32	0.473	0.394	0.01	25	R432000314
NPT1/8	1/4	0.739	0.315	0.461	13/32	0.473	0.394	0.01	25	R432000313

Dimensions in inches

▲ ★ Straight fitting, internal hex, series QR1-MIN



G	Ø D	A	B	C	SW	X	Y	Weight [lbs]	Per Pack	Part no.
10-32 UNF	1/8	0.599	0.138	0.406	3/32	0.284	0.244	0.01	25	R432000326
NPT1/8	1/8	0.563	0.315	0.406	3/32	0.284	0.244	0.01	25	R432000325
10-32 UNF	5/32	0.634	0.138	0.441	3/32	0.394	0.315	0.01	25	R432000333
NPT1/8	5/32	0.599	0.315	0.441	3/32	0.394	0.315	0.01	25	R432000331
10-32 UNF	1/4	0.697	0.138	0.461	3/32	0.473	0.394	0.01	25	R432000318
NPT1/8	1/4	0.741	0.315	0.461	5/32	0.473	0.394	0.01	25	R432000317

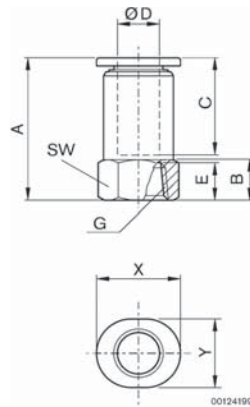
Dimensions in inches

Plastic fittings, series QR1-Inch Mini

10-32 UNF - 1/8 NPTF, push-in fitting for tubes Ø 1/8 to 1/4 INCH



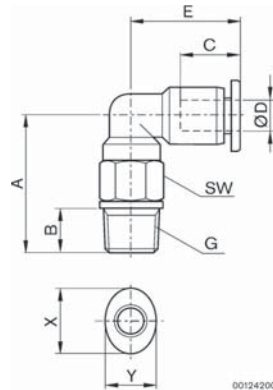
★ Straight female, series QR1-MAI



G	Ø D	A	B	C	E	SW	X	Y	Weight [lbs]	per Pack	Part no.
10-32 UNF	1/8	0.623	0.197	0.406	0.197	5/16	7.2	0.244	0.01	25	R432000301
10-32 UNF	5/32	0.623	0.197	0.441	0.197	5/16	0.394	0.315	0.01	25	R432000302

Dimensions in inches

★ Elbow, series QR1-MVT



G	Ø D	A	B	C	E	SW	X	Y	Weight [lbs]	per Pack	Part no.
10-32 UNF	1/8	0.567	0.138	0.355	0.416	5/16	0.284	0.244	0.01	25	R432000358
NPT1/8	1/8	0.67	0.315	0.355	0.416	13/32	0.284	0.244	0.01	25	R432000357
10-32 UNF	5/32	0.567	0.138	0.461	0.615	5/16	0.394	0.315	0.01	25	R432000360
NPT1/8	5/32	0.678	0.315	0.461	0.615	13/32	0.394	0.315	0.01	25	R432000359
10-32 UNF	1/4	0.607	0.138	0.473	0.642	5/16	0.473	0.394	0.01	25	R432000356
NPT1/8	1/4	0.687	0.315	0.473	0.642	13/32	0.473	0.394	0.01	25	R432000355

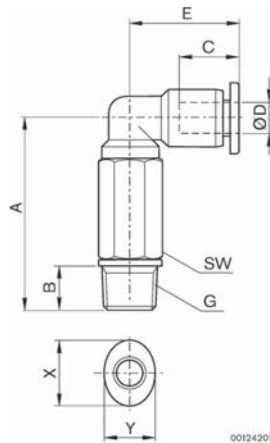
Dimensions in inches

Plastic fittings, series QR1-Inch Mini

10-32 UNF - 1/8 NPTF, push-in fitting for tubes Ø 1/8 to 1/4 INCH



▲ ★ Extended elbow, series QR1-MVL



G	Ø D	A	B	C	E	SW	X	Y	Weight [lbs]	per Pack	Part no.
10-32 UNF	1/8	0.981	0.138	0.355	0.315	5/16	0.284	0.244	0.02	25	R432000352
NPT1/8	1/8	1.064	0.315	0.355	0.416	13/32	0.284	0.244	0.02	25	R432000351
10-32 UNF	5/32	0.981	0.138	0.461	0.615	5/16	0.394	0.315	0.02	25	R432000354
NPT1/8	5/32	1.032	0.315	0.461	0.615	13/32	0.394	0.315	0.03	25	R432000353
10-32 UNF	1/4	1.02	0.138	0.473	0.642	5/16	0.473	0.394	0.02	25	R432000350
NPT1/8	1/4	1.178	0.315	0.473	0.642	13/32	0.473	0.394	0.03	25	R432000349

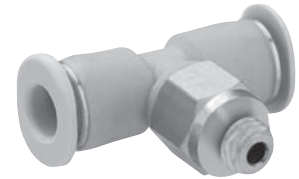
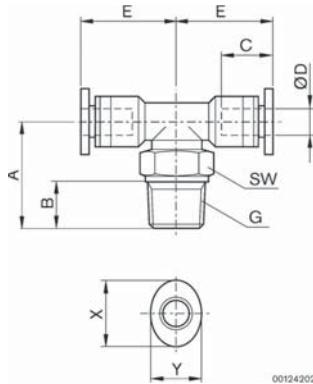
Dimensions in inches

Plastic fittings, series QR1-Inch Mini

10-32 UNF - 1/8 NPTF, push-in fitting for tubes Ø 1/8 to 1/4 INCH



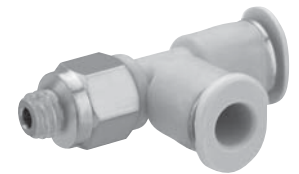
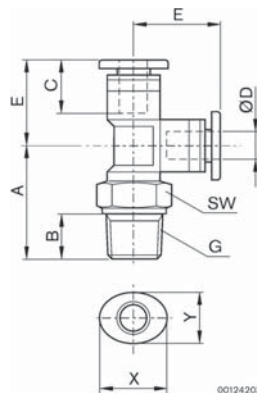
★ Male branch TEE, series QR1-MTT



G	Ø D	A	B	C	E	SW	X	Y	Weight [lbs]	per Pack	Part no.
10-32 UNF	1/8	0.981	0.138	0.355	0.516	5/16	0.284	0.244	0.01	25	R432000342
NPT1/8	1/8	1.064	0.315	0.355	0.516	13/32	0.284	0.244	0.01	25	R432000341
10-32 UNF	5/32	0.981	0.138	0.461	0.615	5/16	0.394	0.315	0.01	25	R432000344
NPT1/8	5/32	1.032	0.315	0.461	0.615	13/32	0.394	0.315	0.02	25	R432000343
10-32 UNF	1/4	1.02	0.138	0.473	0.654	5/16	0.473	0.394	0.01	25	R432000340
NPT1/8	1/4	1.178	0.315	0.473	0.654	13/32	0.473	0.394	0.02	25	R432000339

Dimensions in inches

★ Male run TEE, series QR1-MLT



G	Ø D	A	B	C	E	SW	X	Y	Weight [lbs]	per Pack	Part no.
10-32 UNF	1/8	0.981	0.138	0.355	0.433	5/16	0.284	0.244	0.01	25	R432000310
NPT1/8	1/8	1.064	0.315	0.355	0.433	13/32	0.284	0.244	0.01	25	R432000309
10-32 UNF	5/32	0.981	0.138	0.697	0.536	5/16	0.394	0.315	0.01	25	R432000312
NPT1/8	5/32	1.032	0.315	0.697	0.539	13/32	0.394	0.315	0.02	25	R432000311
10-32 UNF	1/4	1.02	0.138	0.473	0.583	5/16	0.473	0.394	0.01	25	R432000308
NPT1/8	1/4	1.178	8	0.473	0.583	13/32	0.473	0.394	0.02	25	R432000307

Dimensions in inches

Plastic fittings, series QR1-Inch Mini

10-32 UNF - 1/8 NPTF, push-in fitting for tubes Ø 1/8 to 1/4 INCH



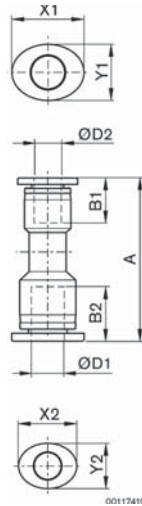
▲ ★ Straight union, series QR1-MSK



Ø D	A	B	X	Y	Weight [lbs]	Per Pack	Part no.
1/8	0.753	0.355	0.284	0.244	0.01	25	R432000336
1/4	0.945	0.473	0.473	0.394	0.01	25	R432000335

Dimensions in inches

▲ ★ Reducing union, series QR1-MSR



Ø D1	Ø D2	A	B1	B2	X1	Y1	X2	Y2	Weight [lbs]	Per Pack	Part no.
5/32	1/8	0.845	0.461	0.355	0.284	0.244	0.394	0.315	0.01	25	R432000328

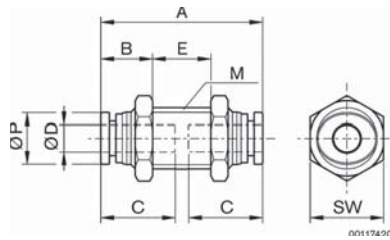
Dimensions in inches

Plastic fittings, series QR1-Inch Mini

10-32 UNF - 1/8 NPTF, push-in fitting for tubes Ø 1/8 to 1/4 INCH



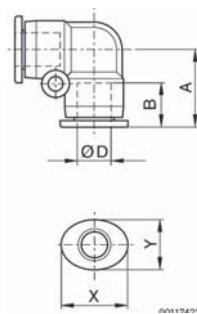
▲ ★ Bulkhead connector metal, series QR1-MSM



Ø D	Ø P	B	E	A	SW	C	M	Weight [lbs]	Per Pack	Part no.
1/8	0.236	0.276	0.296	0.705	13/32	0.406	M8x0.75	0.01	25	R432000334

Dimensions in inches

▲ ★ Elbow union, series QR1-MVK



Ø D	A	B	X	Y	Weight [lbs]	Per Pack	Part no.
1/8	0.431	0.355	0.284	0.244	0.01	25	R432000348
1/4	0.583	0.473	0.473	0.394	0.01	25	R432000347

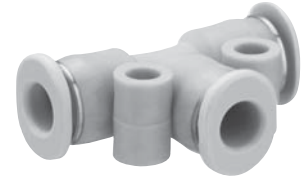
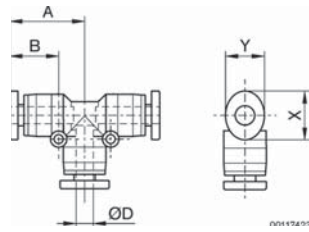
Dimensions in inches

Plastic fittings, series QR1-Inch Mini

10-32 UNF - 1/8 NPTF, push-in fitting for tubes Ø 1/8 to 1/4 INCH



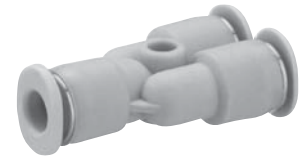
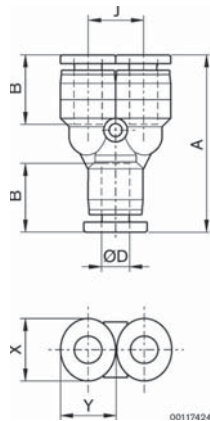
▲ ★ Union TEE, series QR1-MTK



Ø D	A	B	X	Y	Weight [lbs]	Per Pack	Part no.
1/8	0.431	0.355	0.284	0.244	0.01	25	R432000338
1/4	0.583	0.473	0.473	0.394	0.01	25	R432000337

Dimensions in inches

▲ ★ Tube to tube Y, series QR1-MYK



Ø D	A	B	J	X	Y	Weight [lbs]	Per Pack	Part no.
1/8	0.374	0.191	0.323	0.284	0.244	0,01	25	R432000327
1/4	0.493	0.268	0.411	0.473	0.394	0,01	25	R432000319

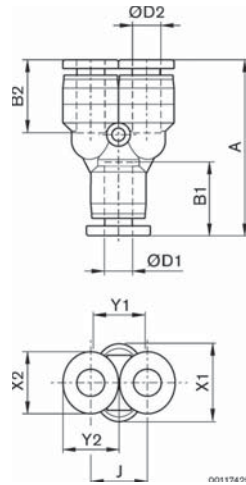
Dimensions in inches

Plastic fittings, series QR1-Inch Mini

10-32 UNF - 1/8 NPTF, push-in fitting for tubes Ø 1/8 to 1/4 INCH



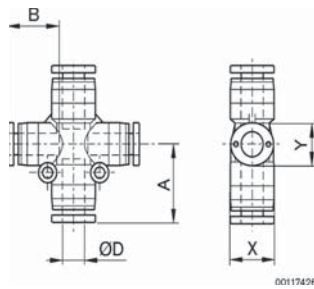
★ Reducing Y, series QR1-MYR



Ø D1	Ø D2	A	B1	B2	J	X1	Y1	X2	Y2	Weight [lbs]	Per Pack	Part no.
1/8	5/32	1.143	0.355	0.355	0.323	0.284	0.244	0.276	0.236	0.01	25	R432000364
5/32	1/4	1.152	0.461	0.355	0.323	0.394	0.315	0.284	0.244	0.01	25	R432000363

Dimensions in inches

★ Cross connector, series QR1-MXS



Ø D	A	B	X	Y	Weight [lbs]	Per Pack	Part no.
1/8	0.355	0.191	0.244	0.284	0.01	25	R432000323
1/4	0.473	0.268	0.473	0.473	0.01	25	R432000315

Dimensions in inches

Plastic fittings, series QR1-Inch Mini

10-32 UNF - 1/8 NPT, push-in fitting for tubes Ø 1/8 to 1/4 INCH



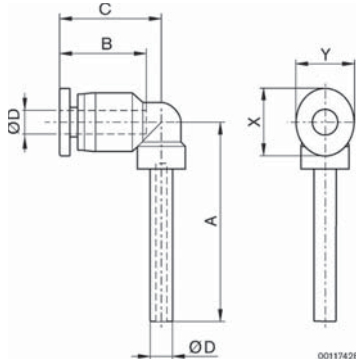
▲ ★ **Straight reducer, series QR1-MED**



Ø D2	Ø D1	A	B1	B2	C	X	Y	Weight [lbs]	Per Pack	Part no.
5/32	1/4	1.292	0.461	0.473	0.504	0.394	0.315	0.01	25	R432000305

Dimensions in inches

▲ ★ **Push-in elbow, series QR1-MVA**



Ø D	A	B	C	X	Y	Weight [lbs]	Per Pack	Part no.
1/8	0.89	0.355	0.414	0.284	0.244	0.01	25	R432000346
1/4	1.245	0.473	0.642	0.473	0.394	0.01	25	R432000345

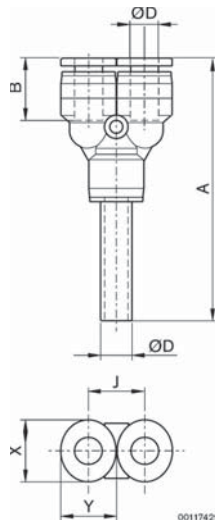
Dimensions in inches

Plastic fittings, series QR1-Inch Mini

10-32 UNF - 1/8 NPT, push-in fitting for tubes \varnothing 1/8 to 1/4 INCH



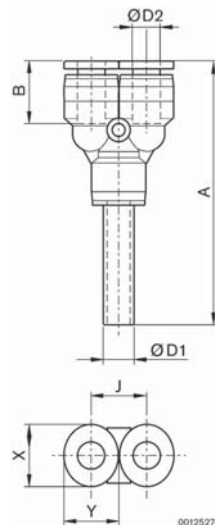
▲ ★ Push-in Y, series QR1-MYZ



\varnothing D	A	B	J	X	Y	Weight [lbs]	Per Pack	Part no.
1/8	1.714	0.355	0.323	0.284	0.244	0.01	25	R432000324
1/4	1.99	0.473	0.402	0.473	0.394	0.01	25	R432000316

Dimensions in inches

▲ ★ Push-in reducing Y, series QR1-MY2



\varnothing D1	\varnothing D2	P	\varnothing d	F	J	C1	C2	B	X	Y	Weight [lbs]	Per Pack	Part no.
5/32	1/8	0.323	0.126	0.402	0.323	0.461	0.354	1.760	0.283	0.244	0.01	25	R432000362
1/4	5/32	0.315	0.126	0.402	0.315	0.472	0.461	1.882	0.394	0.315	0.01	25	R432000361

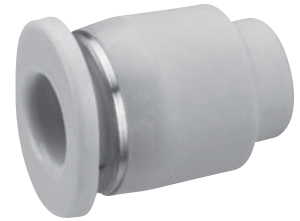
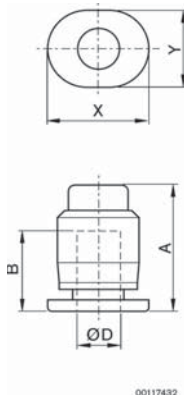
Dimensions in inches

Plastic fittings, series QR1-Inch Mini

10-32 UNF - 1/8 NPT, push-in fitting for tubes \varnothing 1/8 to 1/4 INCH



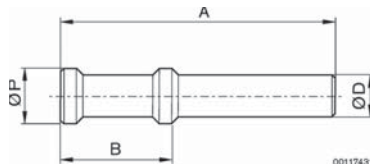
▲ ★ Blanking cap, series QR1-MCA



\varnothing D	A	B	X	Y	Weight [lbs]	Per Pack	Part no.
1/8	0.422	0.374	0.276	0.236	0.01	25	R432000304
1/4	0.492	0.472	0.472	0.393	0.01	25	R432000303

Dimensions in inches

▲ ★ Plug, series QR1-MBS



\varnothing D	A	B	\varnothing P	Weight [lbs]	per Pack	Part no.
1/8	0.867	0.374	0.158	0.01	25	R432000329

Dimensions in inches

Function Fittings, QR1 - Inch

Index



Products

★ Technical Data

See page 5



▲ Accessories

▲ ★ Straight fitting with built-in check valve, series QR1-ANR

See page 40



▲ ★ Straight fitting, self-sealing, series QR1-AAN

See page 41



▲ ★ Elbow fitting, self-sealing, series QR1-AVT

See page 42



▲ ★ Straight union with built-in check valve, series QR1-SKR

See page 43



▲ ★ Plug connector, self-sealing, series QR1-ASK

See page 44



▲ ★ Bulkhead, self-sealing, series QR1-ASS

See page 45



▲ ★ Ball valve, thread to push-in fitting, series QR1-BGS

See page 46



▲ ★ Elbow ball valve, thread to push-in fitting, series QR1-BWG

See page 47



▲ ★ Bulkhead ball valve, push-in fitting to push-in fitting, series QR1-BSS

See page 48



▲ ★ Ball valve, push-in fitting to push-in fitting, series QR1-BSK

See page 49



▲ ★ Right angle flow control valve, series QR1-DWA

See page 50



▲ ★ Right angle flow control valve, series QR1-DWB mini

See page 51



▲ ★ In-line flow control valve, block shape, series QR1-DBS

See page 52



Function Fittings, QR1 - Inch

Straight fitting with built-in check valve



▲ ★ **Straight fitting with built-in check valve, series QR1-ANR**

Type	Poppet valve/ sealing lip valve	
Max. pressure	145 psi	
Opening pressure	12 psi	
Ambient temperature range	32 °F to +140 °F	
Medium	Compressed air, lubricated or non-lubricated	
Weight	See table	

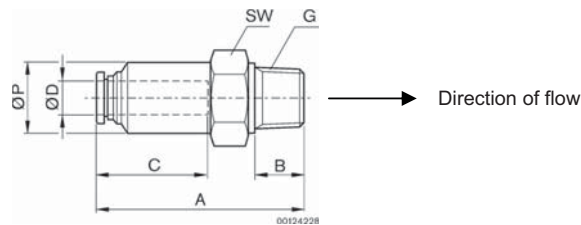
Materials	Body Seals	Brass nickel-plated Buna-N
-----------	---------------	-------------------------------



▶ ★ **Part no.**

	G	Ø D	Weight [lbs]	Per Pack	Part no.
	10-32 UNF	5/32	0.03	5	R432000424
	NPT 1/8	5/32	0.03	5	R432000423
	NPT 1/8	5/16	0.03	5	R432000422
	NPT 1/8	1/4	0.03	5	R432000417
	NPT 1/4	1/4	0.05	5	R432000418
	NPT 1/4	5/16	0.05	5	R432000421
	NPT 3/8	3/8	0.05	5	R432000419
	NPT 3/8	1/2	0.08	2	R432000415
	NPT 1/2	3/8	0.06	2	R432000420
	NPT 1/2	1/2	0.06	2	R432000416

Fig. 1



Part no.	G	Ø D	A	B	C	SW	Ø P
R432000424	10-32 UNF	5/32	1.182	0.217	0.63	7/16	0.394
R432000423	NPT 1/8	5/32	1.221	0.315	0.63	7/16	0.394
R432000422	NPT 1/8	5/16	1.127	0.315	0.729	9/16	0.406
R432000417	NPT 1/4	1/4	0.973	0.315	0.67	1/2	0.473
R432000418	NPT 1/4	1/4	1.127	0.433	0.67	1/2	0.511
R432000421	NPT 1/4	5/16	1.127	0.433	0.729	9/16	0.406
R432000419	NPT 3/8	3/8	2.45	0.473	0.827	11/16	0.989
R432000415	NPT 3/8	1/2	2.537	0.473	0.887	7/8	0.985
R432000420	NPT 1/2	3/8	2.466	0.591	0.827	7/8	1.103
R432000416	NPT 1/2	1/2	2.778	0.591	0.887	7/8	1.103

Dimensions in inches

Function Fittings, QR1 - Inch

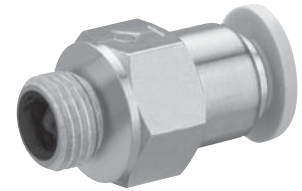
Straight fitting, self-sealing



▲ ★ **Straight fitting, self-sealing, series QR1-AAN**

Type	Poppet valve/ sealing lip valve	
Max. pressure	145 psi	
Ambient temperature range	32 °F to +140 °F	
Medium	Compressed air, lubricated or non-lubricated	
Weight	See table	

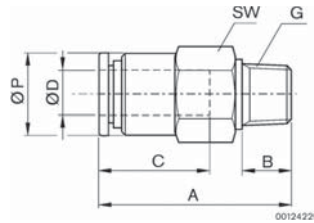
Materials	Body Seals	Brass nickel-plated Buna-N
-----------	---------------	-------------------------------



▶ ★ **Part no.**

	G	Ø D	Weight [lbs]	Per Pack	Part no.
	NPT 1/8	5/32	0.02	10	R432000442
	NPT 1/8	1/4	0.03	10	R432000436
	NPT 1/4	1/4	0.03	10	R432000437
	NPT 1/4	5/16	0.04	10	R432000440
	NPT 3/8	5/16	0.08	10	R432000441
	NPT 3/8	3/8	0.09	10	R432000438
	NPT 3/8	1/2	0.13	10	R432000434
	NPT 1/2	3/8	0.13	10	R432000439
	NPT 1/2	1/2	0.15	10	R432000435

Fig. 1



Part no.	G	Ø D	A	B	C	SW	Ø P
R432000442	NPT 1/8	5/32	1.004	0.315	0.63	7/16	0.394
R432000436	NPT 1/8	1/4	1.095	0.315	0.67	1/2	0.473
R432000437	NPT 1/4	1/4	1.095	0.433	0.67	9/16	0.552
R432000440	NPT 1/4	5/16	1.253	0.433	0.729	9/16	0.552
R432000441	NPT 3/8	5/16	1.253	0.473	0.729	11/16	0.67
R432000438	NPT 3/8	3/8	1.422	0.473	0.827	11/16	0.67
R432000434	NPT 3/8	1/2	1.749	0.473	0.887	7/8	0.796
R432000439	NPT 1/2	3/8	1.422	0.591	0.827	7/8	0.709
R432000435	NPT 1/2	1/2	1.741	0.591	0.887	7/8	0.796

Dimensions in inches

Function Fittings, QR1 - Inch

Elbow fitting, self-sealing



★ Elbow fitting, self-sealing, series QR1-AVT

Type	Poppet valve / sealing lip valve	
Max. pressure	145 psi	
Ambient temperature range	32 °F to +140 °F	
Medium	Compressed air, lubricated or non-lubricated	
Weight	See table	

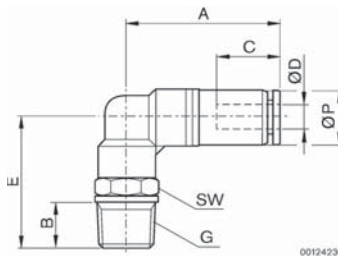
Materials	Body Seals	Brass nickel-plated Buna-N
-----------	---------------	-------------------------------



★ Part no.

	G	Ø D	Weight [lbs]	Per Pack	Part no.
	10-32 UNF	5/32	0.04	10	R432000456
	10-32 UNF	1/4	0.04	10	R432000448
	NPT 1/8	5/32	0.04	10	R432000455
	NPT 1/8	1/4	0.05	10	R432000446
	NPT 1/8	5/16	0.05	10	R432000452
	NPT 1/4	1/4	0.07	10	R432000447
	NPT 1/4	5/16	0.06	5	R432000453
	NPT 1/4	3/8	0.13	5	R432000449
	NPT 3/8	5/16	0.09	5	R432000454
	NPT 3/8	3/8	0.15	5	R432000450
	NPT 3/8	1/2	0.2	5	R432000444
	NPT 1/2	3/8	0.18	5	R432000451
	NPT 1/2	1/2	0.22	5	R432000445

Fig. 1



Part no.	G	Ø D	A	B	C	E	SW	Ø P
R432000456	10-32 UNF	5/32	1.21	0.217	0.63	0.871	7/16	0.411
R432000448	10-32 UNF	1/4	1.257	0.217	0.67	0.89	1/2	0.489
R432000455	NPT 1/8	5/32	1.21	0.315	0.63	0.969	7/16	0.411
R432000446	NPT 1/8	1/4	1.257	0.315	0.67	0.945	1/2	0.489
R432000452	NPT 1/8	5/16	1.608	0.315	0.729	1.064	9/16	0.567
R432000447	NPT 1/4	1/4	1.257	0.433	0.67	1.103	9/16	0.489
R432000453	NPT 1/4	5/16	1.608	0.433	0.729	1.221	9/16	0.567
R432000449	NPT 1/4	3/8	1.875	0.433	0.827	1.379	11/16	0.693
R432000454	NPT 3/8	5/16	1.608	0.473	0.729	1.261	11/16	0.567
R432000450	NPT 3/8	3/8	1.875	0.473	0.827	1.418	11/16	0.693
R432000444	NPT 3/8	1/2	2.187	0.473	0.887	1.497	7/8	0.835
R432000451	NPT 1/2	3/8	1.875	0.591	0.827	1.537	7/8	0.693
R432000445	NPT 1/2	1/2	2.187	0.591	0.887	1.615	7/8	0.835

Dimensions in inches

Function Fittings, QR1 - Inch

Straight union with built-in check valve



★ **Straight union with built-in check valve, series QR1-SKR**

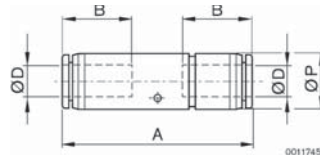
Type	Poppet valve / sealing lip valve	
Max. pressure	145 psi	
Ambient temperature range	32 °F to +140 °F	
Medium	Compressed air, lubricated or non-lubricated	
Weight	See table	
Materials	Body Seals	PBT Buna-N



★ **Part no.**

	Ø D	Weight [lbs]	Per Pack	Part no.
	5/32	0.01	5	R432000433
	1/4	0.02	5	R432000430
	5/16	0.02	5	R432000432
	3/8	0.03	2	R432000431
	1/2	0.03	2	R432000429

Fig. 1



Part no.	Ø D	A	B	Ø P
R432000433	5/32	1.407	0.63	0.394
R432000430	1/4	1.639	0.67	0.489
R432000432	5/16	2.033	0.729	0.567
R432000431	3/8	3.046	0.827	0.985
R432000429	1/2	3.152	0.887	0.985

Dimensions in inches

Function Fittings, QR1 - Inch

Plug connector, self-sealing



★ Plug connector, self-sealing, series QR1-ASK

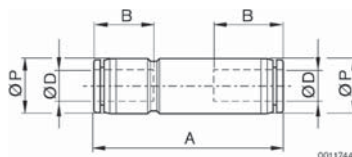
Type	Poppet valve / sealing lip valve
Max. pressure	145 psi
Ambient temperature range	32 °F to +140 °F
Medium	Compressed air, lubricated or non-lubricated
Weight	See table



★ Part no.

	Ø D	Weight [lbs]	Per Pack	Part no.
	5/32	0.01	10	R432000461
	1/4	0.02	10	R432000458
	5/16	0.03	10	R432000460
	3/8	0.06	10	R432000459
	1/2	0.07	10	R432000457

Fig. 1



Part no.	Ø D	A	B	Ø P
R432000461	5/32	1.69	0.63	0.394
R432000458	1/4	1.86	0.67	0.489
R432000460	5/16	2.072	0.729	0.567
R432000459	3/8	2.38	0.827	0.693
R432000457	1/2	2.774	0.887	0.835

Dimensions in inches

Function Fittings, QR1 - Inch

Bulkhead, self-sealing



★ Bulkhead, self-sealing, series QR1-ASS

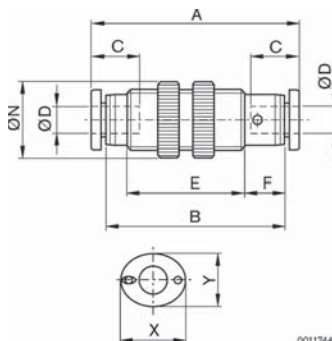
Type	Poppet valve / sealing lip valve
Max. pressure	145 psi
Ambient temperature range	32 °F to +140 °F
Medium	Compressed air, lubricated or non-lubricated
Weight	See table

Materials	Body Seals	PBT Buna-N
-----------	---------------	---------------



★ Part no.

	Ø D	Weight [lbs]	Per Pack	Part no.
	5/32	0.02	5	R432000466
	1/4	0.02	5	R432000463
	5/16	0.04	5	R432000465
	3/8	0.06	5	R432000464
	1/2	0.08	5	R432000462



Part no.	Ø D	A	B	C	E	F	Ø N	X	Y
R432000466	5/32	1.474	37.4	0.63	—	0.37	0.67	0.473	0.394
R432000463	1/4	1.635	41.5	0.67	—	0.39	0.801	0.552	0.473
R432000465	5/16	1.86	47.2	0.729	—	0.418	0.906	0.63	0.552
R432000464	3/8	2.124	52.9	0.827	—	0.445	1.143	0.749	0.67
R432000462	1/2	2.494	63.3	0.887	—	0.414	1.261	0.906	0.827

Dimensions in inches

Function Fittings, QR1 - Inch

Ball valve, thread to push-in fitting



★ **Ball valve, thread to push-in fitting, series QR1-BGS**

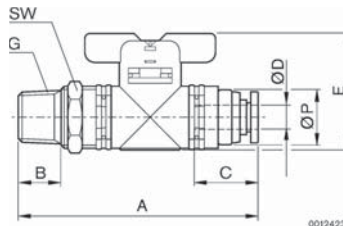
Type	Ball valve
Max. pressure	145 psi
Ambient temperature range	32 °F to +140 °F
Medium	Compressed air, lubricated or non-lubricated
Weight	See table

Materials	Body Seals	PBT Buna-N
-----------	---------------	---------------



▶ ★ **Part no.**

Symbol	G	Ø D	Weight [lbs]	Per Pack	Part no.
	NPT 1/8	1/4	0.12	5	R432000366
	NPT 1/8	5/16	0.12	5	R432000369
	NPT 1/4	1/4	0.12	5	R432000365
	NPT 1/4	5/16	0.13	5	R432000368
	NPT 1/4	3/8	0.28	5	R432000375
	NPT 1/4	1/2	0.29	5	R432000372
	NPT 3/8	1/4	0.14	5	R432000367
	NPT 3/8	5/16	0.15	5	R432000370
	NPT 3/8	3/8	0.29	5	R432000376
	NPT 3/8	1/2	0.29	5	R432000373
	NPT 1/2	3/8	0.32	5	R432000374
	NPT 1/2	1/2	0.33	5	R432000371



Part no.	G	Ø D	A	B	C	E	SW	Ø P
R432000366	NPT 1/8	1/4	2.38	0.315	0.67	0.906	11/16	0.67
R432000369	NPT 1/8	5/16	2.376	0.315	0.729	0.906	11/16	0.67
R432000365	NPT 1/4	1/4	2.498	0.433	0.67	0.906	11/16	0.67
R432000368	NPT 1/4	5/16	2.494	0.433	0.729	0.906	11/16	0.67
R432000375	NPT 1/4	3/8	3.247	0.433	0.827	1.103	31/32	0.945
R432000372	NPT 1/4	1/2	3.264	0.433	0.887	1.103	31/32	0.945
R432000367	NPT 3/8	1/4	2.537	0.473	0.67	0.906	11/16	0.67
R432000370	NPT 3/8	5/16	2.533	0.473	0.729	0.906	11/16	0.67
R432000376	NPT 3/8	3/8	3.286	0.473	0.827	1.103	31/32	0.945
R432000373	NPT 3/8	1/2	3.304	0.473	0.887	1.103	31/32	0.945
R432000374	NPT 1/2	3/8	3.444	0.591	0.827	1.103	31/32	0.945
R432000371	NPT 1/2	1/2	3.461	0.591	0.887	1.103	31/32	0.945

Dimensions in inches

Function Fittings, QR1 - Inch

Elbow ball valve, thread to push-in fitting



★ Elbow ball valve, thread to push-in fitting, series QR1-BWG

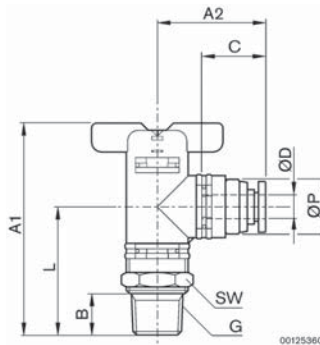
Type	Ball valve
Max. pressure	145 psi
Ambient temperature range	32 °F to +140 °F
Medium	Compressed air, lubricated or non-lubricated
Weight	See table

Materials	Body Seals	PBT Buna-N
-----------	---------------	---------------



★ Part no.

Symbol	G	Ø D	Weight [lbs]	Per Pack	Part no.
	NPT 1/8	1/4	0.12	5	R432000378
	NPT 1/8	5/16	0.12	5	R432000381
	NPT 1/4	1/4	0.13	5	R432000377
	NPT 1/4	5/16	0.13	5	R432000380
	NPT 1/4	3/8	0.29	5	R432000387
	NPT 1/4	1/2	0.29	5	R432000384
	NPT 3/8	1/4	0.15	5	R432000379
	NPT 3/8	5/16	0.15	5	R432000382
	NPT 3/8	3/8	0.29	5	R432000388
	NPT 3/8	1/2	0.3	5	R432000385
	NPT 1/2	3/8	0.33	5	R432000386
	NPT 1/2	1/2	0.34	5	R432000383



Part no.	G	ØD	A1	A2	B	C	L	SW	Ø P
R432000378	NPT 1/8	1/4	2.118	1.172	0.315	0.67	1.212	11/16	0.67
R432000381	NPT 1/8	5/16	2.118	1.192	0.315	0.729	1.212	11/16	0.67
R432000377	NPT 1/4	1/4	2.236	1.172	0.433	0.67	1.212	11/16	0.67
R432000380	NPT 1/4	5/16	2.236	1.192	0.433	0.729	1.212	11/16	0.67
R432000387	NPT 1/4	3/8	2.84	1.58	0.433	0.827	1.738	31/32	0.945
R432000384	NPT 1/4	1/2	2.84	1.576	0.433	0.887	1.736	31/32	0.945
R432000379	NPT 3/8	1/4	2.275	1.172	0.473	0.67	1.212	11/16	0.67
R432000382	NPT 3/8	5/16	2.275	1.192	0.473	0.729	1.212	11/16	0.67
R432000388	NPT 3/8	3/8	2.88	1.58	0.473	0.827	1.777	31/32	0.945
R432000385	NPT 3/8	1/2	2.88	1.576	0.473	0.887	1.777	31/32	0.945
R432000386	NPT 1/2	3/8	3.038	1.58	0.591	0.827	1.935	31/32	0.945
R432000383	NPT 1/2	1/2	3.038	1.576	0.591	0.887	1.935	31/32	0.945

Dimensions in inches

Function Fittings, QR1 - Inch

Bulkhead ball valve, push-in fitting to push-in fitting



★ Bulkhead ball valve, push-in fitting to push-in fitting, series QR1-BSS

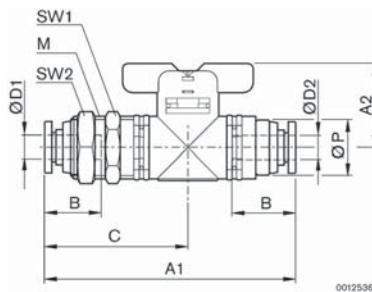
Type	Ball valve
Max. pressure	145 psi
Ambient temperature range	32 °F to +140 °F
Medium	Compressed air, lubricated or non-lubricated
Weight	See table

Materials	Body Seals	PBT Buna-N
-----------	---------------	---------------



★ Part no.

Symbol	Ø D1	Ø D2	Weight [lbs]	Per Pack	Part no.
	1/4	1/4	0.1	5	R432000401
	5/16	1/4	0.11	5	R432000403
	5/16	5/16	0.1	5	R432000404
	3/8	3/8	0.24	5	R432000402
	1/2	3/8	0.26	5	R432000400



Part no.	Ø D1	Ø D2	M	A1	A2	B	C	SW1	SW2	Ø P
R432000401	1/4	1/4	UNF 5/8	2.9	0.906	0.67	1.73	3/4	3/4	0.67
R432000403	5/16	1/4	UNF 5/8	2.92	0.906	0.729	1.749	3/4	3/4	0.67
R432000404	5/16	5/16	UNF 5/8	2.92	0.906	0.729	1.749	3/4	3/4	0.67
R432000402	3/8	3/8	UNF 7/8	3.7	1.103	0.827	2.191	1	1	0.945
R432000400	1/2	3/8	UNF 7/8	3.684	1.103	0.887	2.167	1	1	0.945

Dimensions in inches

Function Fittings, QR1 - Inch

Ball valve, push-in fitting to push-in fitting



★ Ball valve, push-in fitting to push-in fitting, series QR1-BSK

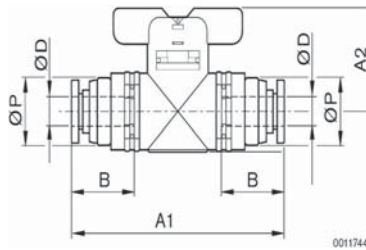
Type	Ball valve
Max. pressure	145 psi
Ambient temperature range	32 °F to +140 °F
Medium	Compressed air, lubricated or non-lubricated
Weight	See table

Materials	Body Seals	PBT Buna-N
-----------	---------------	---------------



★ Part no.

Symbol	Ø D	Weight [lbs]	Per Pack	Part no.
	1/4	0.09	5	R432000406
	5/16	0.1	5	R432000408
	3/8	0.22	5	R432000407
	1/2	0.23	5	R432000405



Part no.	Ø D	A1	A2	B	Ø P
R432000406	1/4	2.34	0.906	0.67	0.67
R432000408	5/16	2.332	0.906	0.729	0.67
R432000407	3/8	3.089	1.103	0.827	0.945
R432000405	1/2	3.124	1.103	0.887	0.945

Dimensions in inches

Function Fittings, QR1 - Inch

Right angle flow control valve



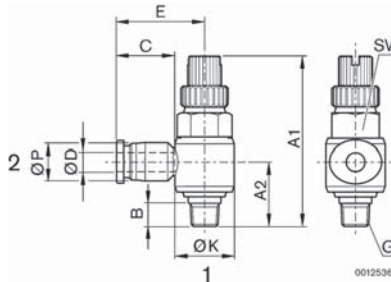
★ Right angle flow control valve, series QR1-DWA (meter out)

Type	Cone choke	
Max. pressure	145 psi	
Opening pressure (check valve)	7 psi	
Nominal flow rate Qn (SCFM)	See table	
at 87 psi, Δp = 15 psi	32 °F to +140 °F	
Ambient temperature range	Compressed air, lubricated or non-lubricated	
Medium	See table	
Weight		
Materials	Body	PBT
	Seals	Buna-N
	Throttling screw	Brass, nickel-plated



★ Part no.

	Direction of throttle	G	Ø D	Nominal flow rate [SCFM]	Weight [lbs]	Per Pack	Part no.
	1 --> 2	10-32 UNF	5/32	2.65	0.02	1	R432002367
		10-32 UNF	1/4	2.65	0.02	1	R432002369
		NPT 1/8	5/32	6.0	0.04	10	R432002368
		NPT 1/8	1/4	6.0	0.04	10	R432002370
		NPT 1/8	5/16	6.0	0.04	1	R432002373
		NPT 1/4	1/4	9.88	0.07	1	R432002371
		NPT 1/4	5/16	9.88	0.09	1	R432002374
		NPT 1/4	3/8	9.88	0.09	1	R432002377
		NPT 3/8	1/4	33.54	0.14	1	R432002372
		NPT 3/8	5/16	33.54	0.14	1	R432002375
		NPT 3/8	3/8	33.54	0.15	1	R432002378
		NPT 3/8	1/2	33.54	0.15	1	R432002380
		NPT 1/2	5/16	54.72	0.22	1	R432002376
		NPT 1/2	3/8	54.72	0.23	1	R432002379
		NPT 1/2	1/2	54.72	0.23	1	R432002381



Part no.	G	Ø D	A1 (max)	A2	B	C	E	Ø K	SW	Ø P
R432002367	10-32 UNF	5/32	1.044	0.256	0.138	0.63	0.725	0.394	5/16	0.411
R432002369	10-32 UNF	1/4	1.852	0.591	0.493	0.67	0.839	0.394	5/16	0.489
R432002368	NPT 1/8	5/32	1.044	0.256	0.138	0.63	0.725	0.394	7/16	0.411
R432002370	NPT 1/8	1/4	1.418	0.473	0.276	0.67	0.855	0.567	7/16	0.489
R432002373	NPT 1/8	5/16	2.049	0.619	0.611	0.729	0.926	0.567	7/16	0.567
R432002371	NPT 1/4	1/4	1.635	0.493	0.394	0.67	0.938	0.725	9/16	0.489
R432002374	NPT 1/4	5/16	1.635	0.571	0.394	0.729	1.052	0.725	9/16	0.567
R432002377	NPT 1/4	3/8	1.852	0.69	0.493	0.827	1.202	0.725	9/16	0.693
R432002372	NPT 3/8	1/4	1.852	0.571	0.496	0.67	1.036	0.867	3/4	0.489
R432002375	NPT 3/8	5/16	1.852	0.63	0.496	0.729	1.068	0.867	3/4	0.567
R432002378	NPT 3/8	3/8	2.049	0.749	0.611	0.827	1.217	0.867	3/4	0.693
R432002380	NPT 3/8	1/2	2.049	0.749	0.496	0.887	1.371	0.867	3/4	0.835
R432002376	NPT 1/2	5/16	2.049	0.682	0.611	0.729	1.143	1.103	1	0.567
R432002379	NPT 1/2	3/8	2.049	0.749	0.611	0.827	1.292	1.103	1	0.693
R432002381	NPT 1/2	1/2	2.049	0.749	0.611	0.887	1.43	1.103	1	0.835

Dimensions in inches

Function Fittings, QR1 - Inch

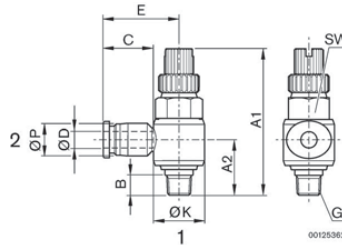
Right angle flow control valve, mini



★ Right angle flow control valve, series QR1-DWA

Type	Cone choke
Max. pressure	145 psi
Opening pressure (check valve)	7 psi
Nominal flow rate Q _n (SCFM)	See table
at 87 psi, Δp = 15 psi	32 °F to +140 °F
Ambient temperature range	Compressed air, lubricated or non-lubricated
Medium	See table
Weight	

Materials	Body Seals Throttling screw	PBT Buna-N Brass, nickel-plated
-----------	-----------------------------------	---------------------------------------



	Direction of throttle	G	Ø D	Nominal Flow Rate [SCFM]	Weight [lbs]	Per Pack	Part No.
	2-->1 (meter-in)	NPT 1/4	1/4	9.88	0.07	1	R432000791
		NPT 3/8	3/8	33.54	0.15	1	R432000792
		NPT 1/2	1/2	54.72	0.23	1	R432000793

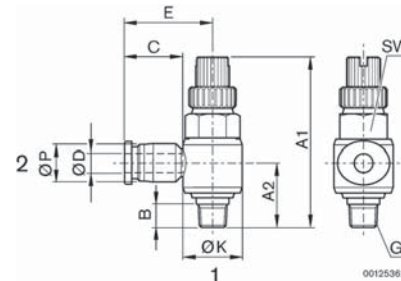
Part No.	G	ØD	A1 (max)	A2	B	C	E	ØK	SW	ØP
R442000791	NPT 1/4	1/4	1.635	0.493	0.394	0.7	0.938	0.725	9/16	0.489
R432000792	NPT 3/8	3/8	2.049	0.749	0.611	0.8	1.217	0.867	3/4	0.693
R432000793	NPT 1/2	1/2	2.049	0.749	0.611	0.9	1.430	1.103	1	0.835

Dimensions in inches

◆ Right angle flow control valve, series QR1-DWB - Mini

Type	Cone choke
Max. pressure	145 psi
Opening pressure (check valve)	7 psi
Nominal flow rate Q _n (SCFM)	See table
at 87 psi, Δp = 15 psi	32 °F to +140 °F
Ambient temperature range	Compressed air, lubricated or non-lubricated
Medium	See table
Weight	

Materials	Body Seals Throttling screw	PBT Buna-N Brass, nickel-plated
-----------	-----------------------------------	---------------------------------------



Ø D	G	C	E	B	SW	Ø P	Ø K	A1 (max)	A2	Nominal flow rate [SCFM]	Weight [lbs]	Per Pack	Part no.
1/8	10-32 UNF	0.355	0.552	0.158	5/16	0.256	0.394	1.044	0.272	2.65	0.02	1	R432002362
5/32	10-32 UNF	0.461	0.617	0.158	5/16	0.315	0.394	1.044	0.252	2.65	0.02	1	R432002363
5/32	NPT 1/8	0.461	0.701	0.315	7/16	0.315	0.552	1.418	0.441	6.0	0.03	1	R432002364
1/4	10-32 UNF	0.473	0.662	0.158	5/16	0.411	0.394	1.044	0.252	2.65	0.02	1	R432002365
1/4	NPT 1/8	0.473	0.717	0.315	7/16	0.411	0.552	1.418	0.441	6.0	0.04	1	R432002366

Dimensions in inches

Function Fittings, QR1 - Inch

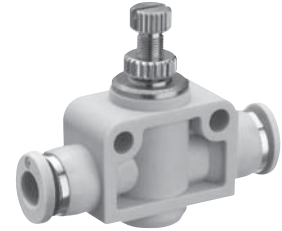
In-line flow control valve




▲ ★ In-line flow control valve, block shape, series QR1-DBS

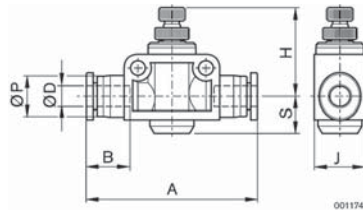
Type	Cone choke	
Max. pressure	145 psi	
Opening pressure (check valve)	7 psi	
Ambient temperature range	32 °F to +140 °F	
Medium	Compressed air, lubricated or non-lubricated	
Weight	See table	

Materials	Body	PBT
	Seals	NBR
	Throttling screw	Brass, nickel-plated



▲ ★ Part no.

	Ø D	Weight [lbs]	Per pack	Part no.
	5/32	0.03	5	R432002382
	1/4	0.06	5	R432002383
	5/16	0.09	5	R432002384
	3/8	0.15	5	R432002385
	1/2	0.24	5	R432002386



Part no.	Ø D	A	B	J	H	S	Ø P
R432002382	5/32	1.426	0.63	0.394	0.701	0.256	0.411
R432002383	1/4	1.682	0.67	0.591	1.064	0.433	0.489
R432002384	5/16	2.041	0.729	0.709	1.123	0.473	0.567
R432002385	3/8	2.348	0.827	0.827	1.34	0.473	0.693
R432002386	1/2	2.813	0.887	1.103	1.32	0.63	0.835

Dimensions in inches

Plastic Tubing - Inch

Plastic tubing, Polyurethane; Silencers



Plastic Tubing, Polyurethane (PUR) - Inch

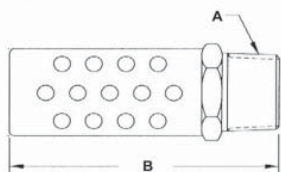
Pressure medium	Air
Temperature range	-40° to 165°F
Vacuum rating	to 28" Hg
Diameter tolerance	± .005"
Working pressure	3 to 1 safety factor (see table)
UV stabilized	Yes
Material	Polyurethane



► Other tube sizes, colors and materials are available on request. Please contact factory for details.

Part Numbers: Tubing Size (Inch)	Blue Polyurethane Part Number	Clear Polyurethane Part Number	Bend Radius	Max. Pressure (psi)		Package Qty. (feet)	Weight (lbs.)
				75°F	150°F		
1/8" OD x .066 ID	R432026247	R432026251	1/4	255	100	50	0.25
1/4" OD x .160 ID	R432026248	R432026252	1/2	175	70	100	1.50
3/8" OD x .245 ID	R432026249	R432026253	7/8	170	70	100	3.40
1/2" OD x .320 ID	R432026250	R432030140	1 1/8	175	70	50	2.55

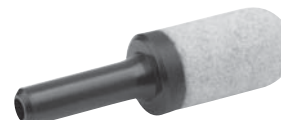
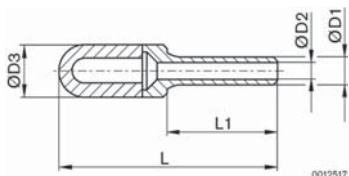
★ Silencers, NPT male threads



A Thread [NPT]	B	C	Part Number	Weight [oz.]	Flow [SCFM] at 90 psi
1/8-27	1.38	0.44	R432012062	0.02	44
1/4-18	1.75	0.56	R432012060	0.05	96
3/8-18	2.20	0.69	R432012058	0.08	200
1/2-14	2.75	0.87	R432012052	0.15	304
3/4-14	3.16	1.06	R432012059	0.27	560
1-11 1/2	3.87	1.31	R432012057	0.46	800
1 1/4-11 1/2	4.50	1.69	R432012061	0.82	1120

Dimensions in inches

★ Silencers, male stem, inch push-in



Ø D1	Ø D2	Ø D3	L1	L	Per Pack	Part no.
6.4	3.5	12.5	20.5	45	5	R412005727
9.5	6.5	15.5	26.5	57.5	5	R412005728
12.5	9.2	18.5	29.0	82	5	R412007714

Dimensions in mm

Adapter Fittings

Adapters - metric to inch/common pipe fittings



Male/Female Adapter ISO G (BSPP) to Inch

A male	B female	Per Pack*	Part No.
ISO G1/8	1/8" NPT	10	R432011744
ISO G1/4	1/4" NPT	10	R432011874
ISO G3/8	3/8" NPT	10	R432011847
ISO G1/2	1/2" NPT	10	R432011745
1/8" NPT	ISO G1/8	10	R432012022
1/4" NPT	ISO G1/4	10	R432012023
3/8" NPT	ISO G3/8	10	R432012024
1/2" NPT	ISO G1/2	10	R432012025



M7 Adapter fittings

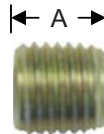
Type	Part No.	Thread	Tube O.D.	Pack Qty.*
straight	1823373100	M7	4mm	25
straight	1823373088	M7	6mm	25
elbow	R412005377	M7	4mm	25
elbow	R412005378	M7	6mm	25
straight	R412004925	M7	1/8"	25
straight	R412004926	M7	1/4"	25



Hex Socket Pipe Plug

Size	A min/max (in.)	Part No.	Pack Qty.*
1/8" NPT	0.290/0.370	R432027753	1
1/4" NPT	0.417/0.475	R432027754	1
3/8" NPT	0.475/0.520	R432012125	1
1/2" NPT	0.524/0.630	R432027755	1

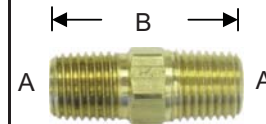
Material: Zinc plated steel



Hex Pipe Double Nipple

Material: Brass

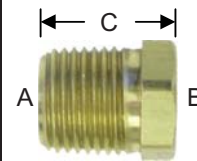
A	B (in.)	Hex Width (in.)	Part No.	Pack Qty.*
10-32 UNF	0.50	0.25	R432012043	1
1/8" NPT	0.97	0.44	R432012044	1
1/4" NPT	1.38	0.56	R432012041	1
3/8" NPT	1.41	0.69	R432030233	1
1/2" NPT	1.81	0.88	R432012042	1



Reducer Bushing

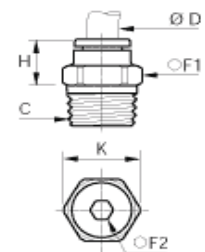
Material: Brass, except R432012160 is zinc plated steel.

A male	B female	C (in.)	Hex Width (in.)	New Part No.*	Pack Qty.*
1/8" NPT	10-32 UNF	0.53	0.44	R432030232	1
1/4" NPT	1/8" NPT	0.75	0.64	R432027750	1
3/8" NPT	1/8" NPT	0.75	0.68	R432012159	1
3/8" NPT	1/4" NPT	0.75	0.68	R432027749	1
1/2" NPT	1/4" NPT	1.00	0.88	R432027751	1
1/2" NPT	3/8" NPT	1.00	0.88	R432030225	1
3/4" NPT	1/4" NPT	1.00	1.12	R432030202	1
3/4" NPT	3/8" NPT	1.00	1.13	R432030201	1
3/4" NPT	1/2" NPT	1.06	1.13	R432012160	1



Hybrid Fittings - Inch tube to Male BSPT (R ISO)

Part Number	ØD (in.)	C	F1 (in.)	F2 (in.)	H (in.)	K (in.)	wt. (oz.)
R432016913	5/32	R1/8	0.39	0.12	0.37	0.43	0.282
R432016914	1/8	R1/8	0.43	0.12	0.34	0.47	0.176
R432016917	1/4	R1/8	0.43	0.16	0.47	0.47	0.212
R432016918	1/4	R1/4	0.55	0.16	0.37	0.59	0.741
R432016919	3/8	R1/4	0.71	0.20	0.30	0.77	0.600
R432016922	1/2	R1/4	0.87	0.24	1.06	0.94	1.552
R432016920	3/8	R3/8	0.51	0.20	0.79	0.55	0.670
R432016923	1/2	R3/8	0.87	0.28	1.02	0.94	1.693
R432016921	3/8	R1/2	0.55	0.24	0.66	0.59	2.152
R432016924	1/2	R1/2	0.94	0.28	0.81	0.94	1.728



Note: BSP-T (R ISO tapered) threads can be used in an ISO G (BSPP) female port, with sealing ensured by thread sealant.

*Pack Quantity is order quantity multiple due to package size.

Plastic fittings, QR1 - Standard Metric

M 5 – G 1/2, push-in fitting for compressed air hoses Ø 4 to 16 mm



Products

★ Technical Data

See page 59



▲ Accessories

▲ ★ Straight fitting, series QR1-RPN

See page 60



▲ ★ Straight female fitting, series QR1-RAI

See page 61



▲ ★ Bulkhead gland, series QR1-RSI

See page 61



▲ ★ Push-in fitting, series QR1-RAS

See page 62



▲ ★ Elbow fitting, series QR1-RVT

See page 62



▲ ★ Elbow fitting long, series QR1-RVL

See page 63



▲ ★ Elbow female stud fitting, series QR1-RVI

See page 63



▲ ★ Elbow fitting 45°, series QR1-RAT

See page 64



▲ ★ Swivel banjo connection 1-fold, Series QR1-RW1

See page 65



▲ ★ Swivel banjo connection 2-fold, series QR1-RW2

See page 65



▲ ★ Swivel banjo connection 3-fold, series QR1-RW3

See page 66



▲ ★ Swivel banjo connection 2-fold double, series QR1-RW4

See page 66



Plastic fittings, QR1 - Standard Metric

M 5 – G 1/2, push-in fitting for compressed air hoses Ø 4 to 16 mm

AVENTICS[®]

▲ Accessories

▲ ★ Swivel banjo connection 3-fold double, series QR1-RW6

See page 67



▲ ★ Swivel banjo connection 1-fold with internal thread, series QR1-RIW

See page 68



▲ ★ Swivel banjo connection 2-fold with internal thread, series QR1-RID

See page 68



▲ ★ Banjo bolt 1-fold, series QR1-RH1

See page 69



▲ ★ Banjo bolt 2-fold, series QR1-RH2

See page 69



▲ ★ Banjo bolt 3-fold, series QR1-RH3

See page 70



▲ ★ Ring connector 1-fold, series QR1-RV1

See page 70



▲ ★ Ring connector 2-fold, series QR1-RT1

See page 71



▲ ★ Fitting, reducing, 3-fold, series QR1-RMG

See page 71



▲ ★ Branch-T fitting, series QR1-RTT

See page 72



▲ ★ T-banjo connection, series QR1-RTS

See page 73



▲ ★ Male run T, series QR1-RLT

See page 73



▲ ★ Y-fitting, series QR1-RAY

See page 74



▲ ★ Y-fitting 2-fold, series QR1-RDY

See page 74



▲ ★ Straight plug connector, series QR1-RSK

See page 75



▲ ★ Straight plug connector, reducing, series QR1-RSR

See page 75



▲ ★ Bulkhead plug connector, metal, series QR1-RSM

See page 76



▲ ★ Bulkhead plug connector, plastic, series QR1-RSC

See page 76



Plastic fittings, QR1 - Standard Metric

M 5 – G 1/2, push-in fitting for compressed air hoses Ø 4 to 16 mm

AVENTICS[®]

▲ Accessories

▲ ★ Elbow plug connector, series QR1-RVK

See page 77



▲ ★ Elbow bulkhead plug connector, series QR1-RVS

See page 77



▲ ★ Plug connector, reducing, 3-fold, series QRT-RMT

See page 78



▲ ★ T-plug connector, series QR1-RTK

See page 78



▲ ★ T-plug connector, reducing, series QR1-RTR

See page 79



▲ ★ Y-plug connector, series QR1-RYK

See page 79



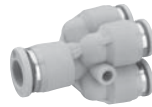
▲ ★ Y - plug connector, reducing, series QR1-RYR

See page 80



▲ ★ Y-plug connector, reducing 2-fold, series QR1-RYD

See page 81



▲ ★ X-plug connector, series QR1-RXS

See page 81



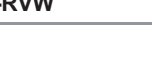
▲ ★ Straight push-in fitting, reducing, series QR1-RED

See page 82



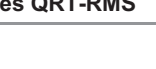
▲ ★ Elbow push-in fitting, series QR1-RVA

See page 82



▲ ★ Elbow push-in fitting, long, series QR1-RLL

See page 83



▲ ★ Elbow push-in fitting, reducing, series QR1-RVR

See page 83



▲ ★ Elbow push-in fitting 45°, series QR1-RVW

See page 84



▲ ★ Push-in fitting, reducing, 3-fold, series QRT-RMS

See page 84



▲ ★ T-push-in fitting, series QR1-RTC

See page 85



▲ ★ Y-push-in fitting, series QR1-RY2

See page 85



▲ ★ Y-push-in fitting, reducing, series QR1-R2R

See page 86



Plastic fittings, QR1 - Standard Metric

M 5 – G 1/2, push-in fitting for compressed air hoses Ø 4 to 16 mm

AVENTICS[®]

▲ Accessories

▲ ★ Y-push-in fitting, reducing, 2-fold, series QR1-RY4

See page 87



▲ ★ Blanking cap, series QR1-RCA

See page 87



▲ ★ Blanking plug, series QR1-RBS

See page 88



▲ ★ Male connector, series QR1-RDS

See page 88



▲ ★ Male connector, reducing, series QR1-RDR

See page 89



▲ ★ Hose connection piece, series QR1-RTU

See page 89



Plastic fittings, QR1 - Standard Metric

Technical Data



Technical Data

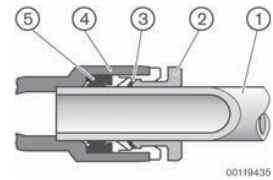
Working pressure Vacuum, -0.95 to 10 bar (-14 to 145 psi)
 Temperature range 0 °C to +60 °C (+32°F to +140 °F)

Application area
 For compressed air and vacuum



Technical Information, Material

1. Compressed air hose - (PU, PA, PE) externally calibrated
2. Release ring - POM
3. Tooth lock release - 301 stainless steel
4. Housing - PBT
5. Form ring - Perbunan



Thread - ISO G (BSPP), electroless nickel plated brass
 Thread seal with captive O-ring

Assembly and disconnection (compressed air hoses)

Cut the compressed air hose at right angles.
 The assembly and disassembly take place without tools.
 Safe mounting due to defined center of pressure
 Easy (simple) disassembly by oval release ring.

Dimension Ø	PU (Polyurethane)	PA (Polyamide)
3	± 0,10	± 0,08
4	± 0,10	± 0,08
6	± 0,12	± 0,10
8	± 0,12	± 0,10
10	± 0,15	± 0,12
12	± 0,15	± 0,12
14	± 0,15	± 0,15
16	± 0,15	± 0,15

For PE (Polyethylene), all sizes +/- 0.004"

Assembly and Disconnection (push-in fitting)

Interchangeability between the QR1 (plastic) and QR2 (metal) series
 Variants with cutout in brass pipe (QR2 blanking plugs and threaded connectors) may not be combined with the QR1 series for safety reasons

Minimal tightening torque and optimal sealing through captive O-rings



Thread size		M3x0.5	M5x0.8	M6x1.0	M8x0.75	G 1/8	G 1/4	G 3/8	G 1/2
Recommended Torque	Nm	0.5 ^{+0.2}	1.2 ^{+0.3}	1.2 ^{+0.3}	2.2 ^{+0.2}	5 ⁺¹	10 ⁺¹	25 ⁺²	25 ⁺²

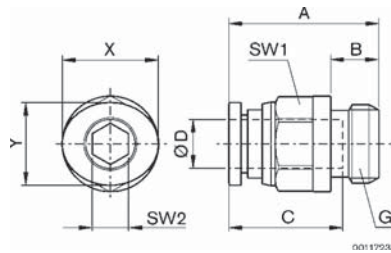
(1 Nm = 8.85 in. lbs.)

Plastic fittings, QR1 - Standard Metric

M 5 - G 1/2, push-in fitting for compressed air hoses \varnothing 4 to 16 mm

AVENTICS[®]

▲ ★ Straight fitting, series QR1-RPN



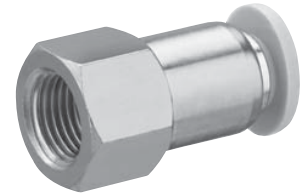
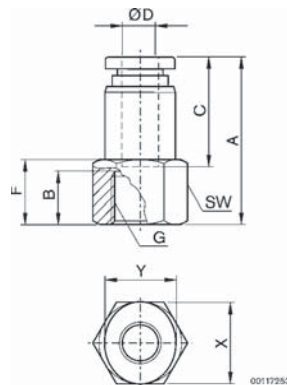
G	Ø D	A	B	C	SW1	SW2	X	Y	Weight [g]	Per Pack	Part no.
M 5	4	21,5	4	16	10	2	12	10	6,9	10	2121004050
M 5	6	24,5	4	17	12	2	14	10	10,5	10	2121006050
G 1/8	4	20,1	5	16	10	3	12	10	13,9	10	2121004180
G 1/8	6	24,6	5	17	12	4	14	12	16,3	10	2121006180
G 1/8	8	26,5	5	18,5	14	5	16	14	21,5	10	2121008180
G 1/8	10	28,9	5	21	17	4	19	17	23,5	10	R412005002
G 1/8	12	33,5	5	22,5	21	4	23	21	35,8	10	R412005003
G 1/4	4	19,1	6	16	10	3	12	10	20,2	10	2121004140
G 1/4	6	21,6	6	17	12	4	14	12	21,2	10	2121006140
G 1/4	8	22,4	6	18,5	14	6	16	14	24,1	10	2121008140
G 1/4	10	29,9	6	21	17	6	19	17	26,1	10	2121010140
G 1/4	12	33,4	6	22,5	21	6	23	21	39,3	10	2121012140
G 3/8	6	21,6	7	17	12	4	14	12	32,3	10	R412005000
G 3/8	8	23,2	7	18,5	14	6	16	14	35,4	10	2121008380
G 3/8	10	25,9	7	21	17	8	19	17	41,6	10	2121010380
G 3/8	12	33,5	7	22,5	21	8	23	21	45,1	10	2121012380
G 3/8	14	30,1	7	24,6	22	9	25	23	45,5	10	2121014380
G 3/8	16	35,3	7	25,5	24	8	27	24	58	10	R412005005
G 1/2	8	25,7	8,5	18,5	14	6	16	14	51,9	10	R412005001
G 1/2	10	27,4	8,5	21	17	8	19	17	58,2	10	2121010120
G 1/2	12	29,5	8,5	22,5	21	8	23	21	56,6	10	2121012120
G 1/2	14	25,6	8,5	24,6	24	11	25	23	64	10	2121014120
G 1/2	16	36,3	8,5	25,5	24	10	27	24	66,7	10	R412005006

Plastic fittings, QR1 - Standard Metric

M 5 - G 1/2, push-in fitting for compressed air hoses Ø 4 to 16 mm

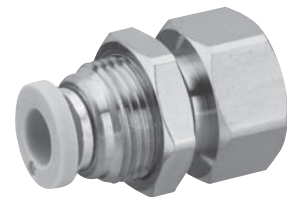
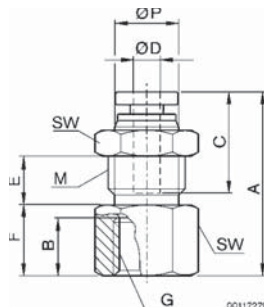
AVENTICS[®]

▲ ★ **Straight female fitting, series QR1-RAI**



G	Ø D	A	B	F	C	SW	X	Y	Weight [g]	Per Pack	Part no.
G 1/8	4	26,2	9	11	16	14	12	10	14,7	10	2121904180
G 1/8	6	27,2	9	12	17	14	14	12	15,6	10	2121906180
G 1/8	8	28,5	9	12	18,5	14	16	14	17,9	10	2121908180
G 1/8	10	32,5	9	12	21	14	19	17	29,6	10	R412005088
G 1/4	4	29,2	12	14	16	17	12	10	21,1	10	R412005085
G 1/4	6	30,2	12	14	17	17	14	12	22,4	10	2121906140
G 1/4	8	31,3	12	15	18,5	17	16	14	24,5	10	2121908140
G 1/4	10	34	12	13	21	17	19	17	28	10	R412005089
G 1/4	12	35,5	12	13	22,5	21	23	21	51,5	10	R412005091
G 3/8	6	31,2	13	15	17	21	14	12	23,4	10	R412005086
G 3/8	8	32,5	13	16	18,5	21	16	14	34,7	10	R412005087
G 3/8	10	35	13	15	21	21	19	17	37,7	10	2121910380
G 3/8	12	36,5	13	14	22,5	21	23	21	44,9	10	2121912380
G 1/2	10	38	16	19	21	24	19	17	48	10	R412005090
G 1/2	12	39,5	16	19	22,5	24	23	21	53,3	10	2121912120

▲ ★ **Bulkhead gland, series QR1-RSI**



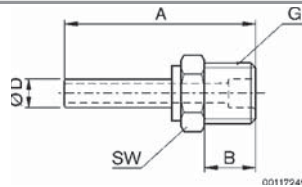
G	Ø D	M	A	B	C	E	F	SW	Ø P	Weight [g]	Per Pack	Part no.
G 1/8	4	M12	26,2	9	16	5	11	14	10	17,7	10	2122604180
G 1/8	6	M14	27,1	9	17	7,5	9	17	12	25,7	10	2122606180
G 1/8	8	M16	31,5	9	18,5	9,2	10	19	14	40,2	10	R412005232
G 1/4	4	M12	29,2	12	16	5	14	17	10	24	10	R412005229
G 1/4	6	M14	31,7	12	17	7,5	13,5	17	12	28	10	2122606140
G 1/4	8	M16	35,5	12	18,5	9,2	14	19	14	43,8	10	2122608140
G 1/4	10	M 20	34	12	21	7	14	24	17	65,8	10	R412005233
G 1/4	12	M 22	35,5	12	22,5	9,9	13	24	20	76,5	10	R412005234
G 3/8	6	M14	33,2	13	17	7,5	15	19	12	29	10	R412005230
G 3/8	8	M16	36,5	13	18,5	9,2	15	19	14	35,7	10	R412005231
G 3/8	10	M 20	35	13	21	7	15	24	17	69	10	2122610380
G 3/8	12	M 22	37,5	13	22,5	9,9	15	24	20	77,9	10	R412005235
G 1/2	12	M 22	41,5	16	22,5	9,9	19	24	20	80	10	2122612120

Plastic fittings, QR1 - Standard Metric

M 5 - G 1/2, push-in fitting for compressed air hoses Ø 4 to 16 mm

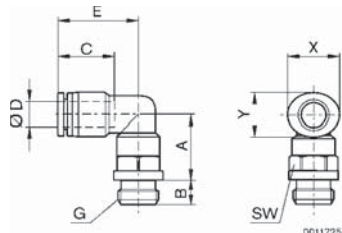
AVENTICS[®]

▲ ★ Push-in fitting, series QR1-RAS



G	Ø D	A	B	SW	Weight [g]	Per Pack	Part no.
M 5	4	36,9	4	10	5,8	10	2121604050
M 5	6	41,9	4	10	5,9	10	R412005068
G 1/8	4	30	5	10	6	10	2121604180
G 1/8	6	45	5	10	12	10	2121606180
G 1/8	8	45	5	12	12	10	R412005071
G 1/4	4	31	6	14	15	10	R412005069
G 1/4	6	36	6	14	15	10	2121606140
G 1/4	8	38	6	14	13	10	2121608140
G 1/4	10	50	6	17	24,3	10	R412005072
G 1/4	12	57	6	19	29,3	10	R412005073
G 3/8	6	37	7	17	20	10	R412005070
G 3/8	8	39	7	17	21,3	10	2121608380
G 3/8	10	44	7	17	25	10	2121610380
G 3/8	12	53	7	19	34	10	R412005074
G 3/8	14	57	7	22	39,2	5	R412005075
G 3/8	16	61	7	21	44	5	R412005077
G 1/2	10	46	8,5	21	33,9	10	2121610120
G 1/2	12	51	8,5	21	40	10	2121612120
G 1/2	14	52,5	8,5	24	25,2	5	R412005076
G 1/2	16	61	8,5	21	50,6	5	R412005078

▲ ★ Elbow fitting, series QR1-RVT



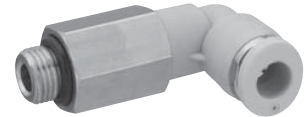
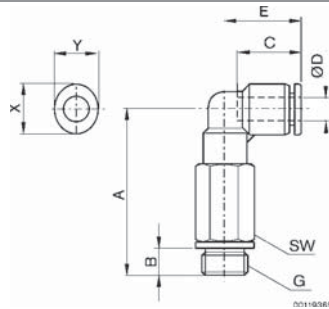
G	Ø D	A	B	C	E	SW	X	Y	Weight [g]	Per Pack	Part no.
M 5	4	11,2	4	16	18,7	8	10	12	5,6	10	2122004050
M 5	6	12,2	4	16	20	8	14	12	6,2	10	2122006050
G 1/8	4	9,5	5	16	18,5	13	12	10	12,3	10	2122004180
G 1/8	6	10,7	5	17	20,3	13	14	12	12,9	10	2122006180
G 1/8	8	14,4	5	18,5	22,6	13	16	14	15,2	10	2122008180
G 1/8	10	16,5	5	21	27	16	19	17	27,6	10	R412005094
G 1/8	12	18,2	5	22,5	29,2	21	23	21	39	10	R412005095
G 1/4	4	9,5	6	16	18,5	16	12	10	17,1	10	2122004140
G 1/4	6	10,7	6	17	20,3	16	14	12	19,3	10	2122006140
G 1/4	8	11,5	6	18,5	22,6	16	16	14	23,1	10	2122008140
G 1/4	10	16,5	6	21	27	16	19	17	28,7	10	2122010140
G 1/4	12	18,3	6	22,5	29,2	16	23	21	42,4	10	2122012140
G 3/8	6	11,2	7	17	20,3	20	14	12	31	10	R412005092
G 3/8	8	11,5	7	18,5	22,6	20	16	14	32,8	10	2122008380
G 3/8	10	13,6	7	21	27	20	16	17	39,9	10	2122010380
G 3/8	12	15,3	7	22,5	29,2	20	23	21	43,6	10	2122012380
G 3/8	14	23,1	7	24,6	32,1	20	25	23	48,3	5	2122014380
G 3/8	16	24,2	7	24,8	33,3	20	27	24	61,1	5	R412005097
G 1/2	8	12,5	8,5	18,5	22,6	24	16	14	49	10	R412005093
G 1/2	10	14,1	8,5	21	27	24	19	14	50,5	10	2122010120
G 1/2	12	15,8	8,5	22,5	29,2	24	23	21	56,3	10	2122012120
G 1/2	14	17,1	8,5	24,6	32,1	24	25	23	66,2	5	2122014120
G 1/2	16	18,2	8,5	24,8	33,3	24	27	24	76,4	5	R412005098

Plastic fittings, QR1 - Standard Metric

M 5 - G 1/2, push-in fitting for compressed air hoses \varnothing 4 to 16 mm

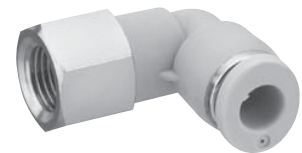
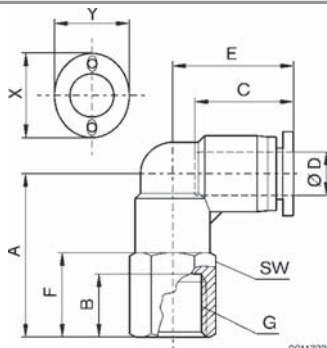
AVENTICS[®]

★ Elbow fitting long, series QR1-RVL



G	\varnothing D	A	B	C	E	SW	X	Y	Weight [g]	Per Pack	Part no.
M 5	4	30,2	4	16	18,3	8	12	10	11,3	10	2122104050
M 5	6	31,4	4	17	19,5	8	14	12	11,8	10	R412005099
G 1/8	4	29,5	5	16	18,3	13	12	10	26,6	10	2122104180
G 1/8	6	30,7	5	17	19,5	13	14	12	30,6	10	2122106180
G 1/8	8	37	5	18,5	22,7	16	16	14	34	10	2122108180
G 1/8	10	44,5	5	21	26,5	13	19	17	63	10	R412005102
G 1/4	4	31,5	6	16	18,3	16	12	10	37,2	10	2122104140
G 1/4	6	31,7	6	17	19,5	16	14	12	43,9	10	2122106140
G 1/4	8	35	6	18,5	22,7	16	16	14	51	10	2122108140
G 1/4	10	54,6	6	21	26,5	16	19	17	78	10	2122110140
G 1/4	12	47,3	6	22,5	28,3	16	23	21	99	10	R412005103
G 3/8	6	33,2	7	17	19,5	16	14	12	58	10	R412005100
G 3/8	8	36	7	18,5	22,7	20	16	14	68	10	2122108380
G 3/8	10	43,6	7	21	26,5	20	19	17	88	10	2122110380
G 3/8	12	45,3	7	22,5	18,3	20	23	21	101,3	10	R412005104
G 3/8	14	57,6	7	24,8	32,1	20	25	23	111,3	5	R412005108
G 1/2	10	45,6	8,5	21	26,5	24	19	17	114	10	R412005101
G 1/2	12	47,3	8,5	22,5	28,3	24	23	21	106	10	R412005105
G 1/2	14	53,1	8,5	24,6	32,1	24	25	23	116	5	R412005109

★ Elbow female stud fitting, series QR1-RVI



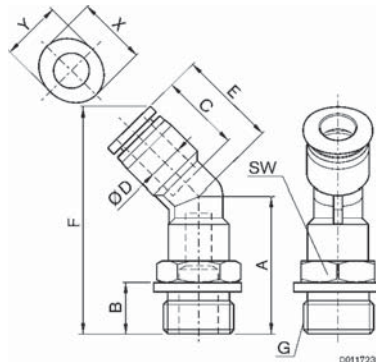
G	\varnothing D	A	B	C	E	F	SW	X	Y	Weight [g]	Per Pack	Part no.
M5	4	16	5	16	18,5	8	10	12	10	8	10	R412005127
M5	6	16	5	17	20,3	8	12	14	12	12,3	10	R412005128
G 1/8	4	26	9	16	18,5	11	14	12	10	15,5	10	R412005129
G 1/8	6	26	9	17	20,3	12	14	14	12	15,9	10	R412005130
G 1/8	8	26	9	18,5	22,6	12	14	16	14	23	10	R412005131
G 1/4	4	29	12	16	18,5	14	17	12	10	19	10	R412005132
G 1/4	6	29	12	17	20,3	14	17	14	12	22,2	10	R412005133
G 1/4	8	29	12	18,5	22,6	15	17	16	14	24,8	10	R412005134
G 1/4	10	33	12	21	27	13	17	19	17	36	10	R412005135
G 3/8	6	30	13	17	20,3	15	21	14	12	31,3	10	R412005136
G 3/8	8	30	13	18,5	22,6	16	21	16	14	33,9	10	R412005137
G 3/8	10	34,5	13	21	27	15	21	19	17	42,8	10	R412005138
G 1/2	10	38	16	21	27	21	24	19	17	52,4	10	R412005140
G 1/2	12	40,5	16	22,5	29,3	22,5	24	23	21	43	10	R412005139

Plastic fittings, QR1 - Standard Metric

M 5 - G 1/2, push-in fitting for compressed air hoses \varnothing 4 to 16 mm

AVENTICS[®]

▲ ★ Elbow fitting 45°, series QR1-RAT



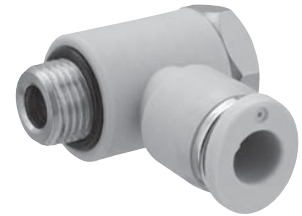
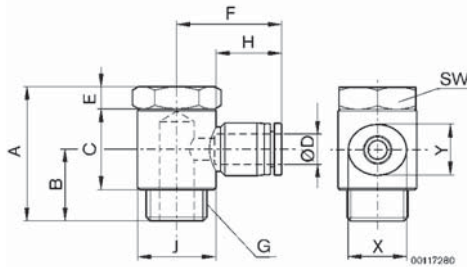
G	Ø D	A	B	C	E	F	SW	X	Y	Weight [g]	Per Pack	Part no.
M 5	4	22	4	16	18,1	34,8	10	12	10	5,6	10	R412005007
M 5	6	22	4	17	20,1	36	12	14	12	6,2	10	R412005008
G 1/8	4	24,6	5	16	18,1	37,76	10	12	10	12,3	10	R412005009
G 1/8	6	24	5	17	20,1	38,18	12	14	12	12,9	10	R412005011
G 1/8	8	27	5	18,5	22,7	43,03	14	16	14	15,2	10	R412005014
G 1/8	10	30	5	21	26,1	50,35	17	19	17	27,6	10	R412005018
G 1/4	4	25,6	6	16	18,1	38,36	12	12	10	17,1	10	R412005010
G 1/4	6	26	6	17	20,1	40,18	14	14	12	19,3	10	R412005012
G 1/4	8	29	6	18,5	22,7	45,03	14	16	14	23,1	10	R412005015
G 1/4	10	33	6	21	26,1	51,35	17	19	17	28,7	10	R412005019
G 1/4	12	34,9	6	22,5	29,3	55,57	21	23	21	42,4	10	R412005022
G 3/8	6	27	7	17	20,1	41,18	14	14	12	31	10	R412005013
G 3/8	8	31	7	18,5	22,7	47,03	17	16	14	32,8	10	R412005016
G 3/8	10	35	7	21	26,1	53,35	17	19	17	39,9	10	R412005020
G 3/8	12	36	7	22,5	29,3	56,57	21	23	21	43,6	10	R412005023
G 1/2	8	32,5	8,5	18,5	22,7	48,53	17	16	14	49	10	R412005017
G 1/2	10	36,5	8,5	21	26,1	54,85	19	19	17	50,5	10	R412005021
G 1/2	12	38,5	8,5	22,5	29,3	59,07	21	23	21	56,3	10	R412005024

Plastic fittings, QR1 - Standard Metric

M 5 - G 1/2, push-in fitting for compressed air hoses \varnothing 4 to 16 mm

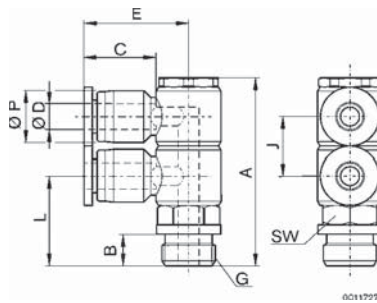
AVENTICS[®]

▲ ★ Swivel banjo connection 1-fold, Series QR1-RW1



G	Ø D	A	B	C	E	F	H	Ø J	SW	X	Y	Weight [g]	Per Pack	Part no.
M 5	4	20	11	9	3	20,7	16	10	8	12	10	7	10	R412005236
M 5	6	20	11	9	3	23,2	17	10	8	14	12	7,7	10	R412005238
G 1/8	4	26,5	14	17	4	23,3	16	15	14	12	10	14,7	10	R412005237
G 1/8	6	26,5	14	17	4	24,8	17	15	14	14	12	15,5	10	R412005239
G 1/8	8	26,5	14	17	4	26,3	18,5	15	14	16	14	16,4	10	R412005240
G 1/4	6	32	17,5	19	5	25,9	17	18	17	14	12	28,4	10	R412005241
G 1/4	8	32	17,5	19	5	26,3	18,5	18	17	16	14	29,8	10	R412005242
G 1/4	10	32	17,5	19	5	29,8	21	17	17	19	17	32,5	10	R412005243
G 3/8	8	36,5	19,5	22	6	26,3	18,5	21,5	21	16	14	52,8	5	R412005244
G 3/8	10	36,5	19,5	22	6	29,8	21	21,5	21	19	17	54,7	5	R412005245
G 3/8	12	36,5	19,5	22	6	33,3	22,5	21,5	21	23	21	57,7	5	R412005246

▲ ★ Swivel banjo connection 2-fold, series QR1-RW2



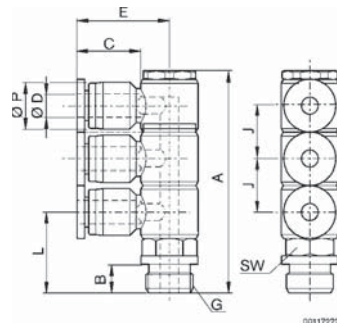
G	Ø D	A	B	C	E	L	J	SW	Ø P	Weight [g]	Per Pack	Part no.
G 1/8	4	43,2	5	16	22,3	13	14	14	10,4	28,5	10	R412005141
G 1/8	6	43,2	5	17	26,5	13	14	14	12,4	30,5	10	R412005144
G 1/8	8	43,2	5	18,5	29,1	16	15	17	14,4	44,5	10	R412005147
G 1/4	4	43,2	6	16	22,3	15	14	17	10,4	31	10	R412005142
G 1/4	6	43,2	6	17	26,5	15	14	17	12,4	33	10	R412005145
G 1/4	8	45,2	6	18,5	29,1	15	15	17	14,4	47,5	10	R412005148
G 1/4	10	53,6	6	21	34,3	15	18	17	17,6	85	5	R412005151
G 3/8	4	44,2	7	16	22,3	18	14	21	10,4	41,5	10	R412005143
G 3/8	6	44,2	7	17	26,5	18	14	21	12,4	43,5	10	R412005146
G 3/8	8	46,2	7	18,5	29,1	18	15	21	14,4	52,5	10	R412005149
G 3/8	10	54,6	7	21	34,3	18	18	21	17,6	91	5	R412005152
G 3/8	12	64,8	7	22,5	38,3	24	21,8	27	21,2	152	5	R412005154
G 1/2	8	47,7	8,5	18,5	29,1	20,5	15	24	14,4	75,5	10	R412005150
G 1/2	10	56,1	8,5	21	34,3	20,5	18	24	17,6	99	5	R412005153
G 1/2	12	66,3	8,5	22,5	38,3	23,5	21,8	27	21,2	159	5	R412005155

Plastic fittings, QR1 - Standard Metric

M 5 - G 1/2, push-in fitting for compressed air hoses Ø 4 to 16 mm

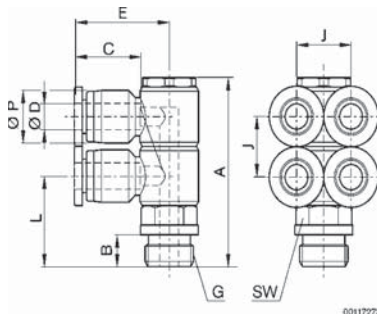


★ Swivel banjo connection 3-fold, series QR1-RW3



G	Ø D	A	B	C	E	L	J	SW	Ø P	Weight [g]	Per Pack	Part no.
G 1/8	4	55,2	5	16	22,3	15,6	14	14	10,4	36,5	10	R412005156
G 1/8	6	55,2	5	16	26,5	15,6	14	14	12,4	39	10	R412005157
G 1/8	8	58,3	5	16	29,1	16,1	14	17	14,4	57,5	10	R412005158
G 1/4	4	57,2	6	16	22,3	16	14	17	10,4	39,5	10	R412005159
G 1/4	6	57,2	6	17	26,5	16	14	17	12,4	42	10	R412005160
G 1/4	8	60,3	6	18,5	29,1	16,5	15	17	14,4	60,5	10	R412005161
G 1/4	10	71,2	6	21	34,3	21	18	17	17,6	107,5	10	R412005162
G 3/8	4	58,2	7	16	22,3	15,5	14	21	10,4	49,5	10	R412005163
G 3/8	6	58,2	7	17	26,5	15,5	14	21	12,4	52,5	10	R412005164
G 3/8	8	61,3	7	18,5	29,1	16	15	21	14,4	65	10	R412005165
G 3/8	10	72,2	7	21	34,3	20,8	18	21	17,6	114	5	R412005166
G 3/8	12	86,3	7	22,5	38,3	24,4	21,8	27	21,2	187	5	R412005167
G 1/2	8	62,7	8,5	18,5	29,1	16,9	15	24	14,4	88,5	10	R412005168
G 1/2	10	73,8	8,5	21	34,3	20,7	18	24	17,6	121,5	5	R412005169
G 1/2	12	87,5	8,5	22,5	38,3	25,3	21,8	27	21,2	195	5	R412005170

★ Swivel banjo connection 2-fold double, series QR1-RW4



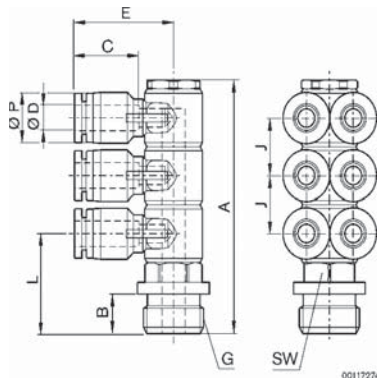
G	Ø D	A	B	C	E	J	L	SW	Ø P	Weight [g]	Per Pack	Part no.
G 1/8	4	41,2	5	16	22,3	14	15,6	14	10,4	33	10	R412005171
G 1/8	6	41,2	5	17	26,5	14	15,6	14	12,4	37,5	10	R412005172
G 1/8	8	43,2	5	18,5	29,1	15	16,1	17	14,4	53,5	10	R412005173
G 1/4	4	43,2	6	16	22,3	14	16	17	10,4	36	10	R412005174
G 1/4	6	43,2	6	17	26,5	14	16	17	12,4	40	10	R412005175
G 1/4	8	45,2	6	18,5	29,1	15	16,5	17	14,4	57	10	R412005176
G 1/4	10	53,6	6	21	34,3	18	21	17	17,6	98	10	R412005177
G 3/8	4	44,2	7	16	22,3	14	15,5	21	10,4	46	10	R412005178
G 3/8	6	44,2	7	17	26,5	14	15,5	21	12,4	50,5	10	R412005179
G 3/8	8	46,2	7	18,5	29,1	15	16	21	14,4	62	10	R412005180
G 3/8	10	54,6	7	21	34,3	18	20,8	21	17,6	104,5	5	R412005181
G 3/8	12	64,8	7	22,5	38,3	21,8	24,4	27	21,2	169	5	R412005182
G 1/2	8	47,7	8,5	18,5	29,1	15	16,9	24	14,4	84,5	10	R412005183
G 1/2	10	56,1	8,5	21	34,3	18	20,7	24	17,6	112,5	5	R412005184
G 1/2	12	66,3	8,5	22,5	38,3	21,8	25,3	27	21,2	177	5	R412005185

Plastic fittings, QR1 - Standard Metric

M 5 - G 1/2, push-in fitting for compressed air hoses \varnothing 4 to 16 mm

AVENTICS[®]

▲ ★ Swivel banjo connection 3-fold double, series QR1-RW6



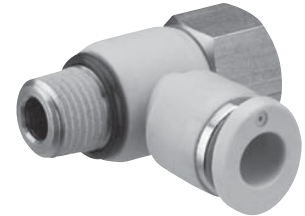
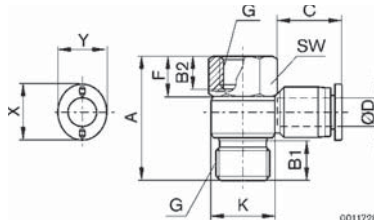
G	Ø D	A	B	C	E	J	L	SW	Ø P	Weight [g]	Per Pack	Part no.
G 1/8	4	55,2	5	16	22,3	14	15,6	14	10,4	43,5	10	R412005186
G 1/8	6	55,2	5	17	26,5	14	15,6	14	12,4	49,5	10	R412005187
G 1/8	8	58,3	5	18,5	29,1	15	16,1	17	14,4	71	10	R412005188
G 1/4	4	57,2	6	16	22,3	14	16	17	10,4	46,5	10	R412005189
G 1/4	6	57,2	6	17	26,5	14	16	17	12,4	52,5	10	R412005190
G 1/4	8	60,3	6	18,5	29,1	15	16,5	17	14,4	74	10	R412005191
G 1/4	10	71,2	6	21	34,3	18	21	17	17,6	127,5	5	R412005192
G 3/8	4	58,2	7	16	22,3	14	15,5	21	10,4	56,5	10	R412005193
G 3/8	6	58,2	7	17	26,5	14	15,5	21	12,4	62,5	10	R412005194
G 3/8	8	61,3	7	18,5	29,1	15	16	21	14,4	79	10	R412005195
G 3/8	10	72,2	7	21	34,3	18	20,8	21	17,6	134	5	R412005196
G 3/8	12	86,3	7	22,5	38,3	21,8	24,4	27	21,2	215	5	R412005197
G 1/2	8	62,7	8,5	18,5	20,4	15	16,9	24	14,4	102	10	R412005198
G 1/2	10	73,8	8,5	21	34,3	18	20,7	24	17,6	142	5	R412005199
G 1/2	12	87,5	8,5	22,5	38,3	21,8	25,3	27	21,2	222	5	R412005200

Plastic fittings, QR1 - Standard Metric

M 5 - G 1/2, push-in fitting for compressed air hoses \varnothing 4 to 16 mm

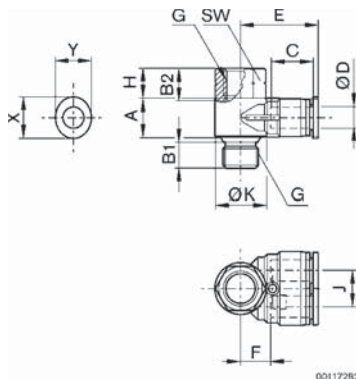
AVENTICS[®]

▲ ★ Swivel banjo connection 1-fold with internal thread, series QR1-RIW



G	Ø D	A	B1	B2	C	F	Ø K	SW	X	Y	Weight [g]	Per Pack	Part no.
M 5	4	21	5,5	5	16	6,5	10	8	12	10	7,8	10	R412005247
M 5	6	21	5,5	5	17	6,5	10	8	14	12	8,5	10	R412005248
G 1/8	4	30,5	8	9	16	9,5	14,4	14	12	10	19,5	10	R412005249
G 1/8	6	30,5	8	9	17	9,5	14,4	14	14	12	19,9	10	R412005250
G 1/8	8	30,5	8	9	18,5	9,5	14,4	14	16	14	27,1	10	R412005251
G 1/4	6	36	11	12	17	11,5	18,4	17	14	12	33	10	R412005252
G 1/4	8	36	11	12	18,5	11,5	18,4	17	16	14	34	10	R412005253
G 1/4	10	36	11	12	21	11,5	18,4	17	19	17	37,3	5	R412005254
G 3/8	8	41,8	12	13	18,5	13,5	22	21	16	14	58	10	R412005255
G 3/8	10	41,8	12	13	21	13,5	22	21	19	17	61	5	R412005256
G 3/8	12	41,8	12	12	22,5	13,5	22	21	23	21	64	5	R412005257
G 1/2	12	51	15	16	22,5	17	28	24	23	21	95	5	R412005258

▲ ★ Swivel banjo connection 2-fold with internal thread, series QR1-RID



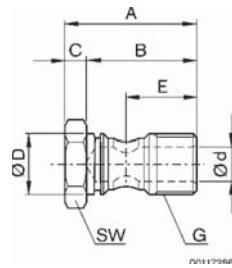
G	Ø D	A	B1	B2	C	E	H	J	Ø K	SW	X	Y	Weight [g]	Per Pack	Part no.
M 5	4	8,9	5,5	5	16	20,9	6,5	10	10	8	12	10	9,2	10	R412005259
G 1/8	6	14	8	9	17	26,7	9,5	12	15,5	14	14	12	27,5	10	R412005260
G 1/4	8	15	11	12	18,5	30,2	11,5	14	20	17	16	14	47,2	10	R412005261
G 3/8	10	18	12	13	21	34,3	13,5	17	23	22	19	17	80,8	5	R412005262
G 1/2	12	21	15	16	22,5	38,3	17	20	30	24	23	21	118,2	5	R412005263

Plastic fittings, QR1 - Standard Metric

M 5 - G 1/2, push-in fitting for compressed air hoses \varnothing 4 to 16 mm

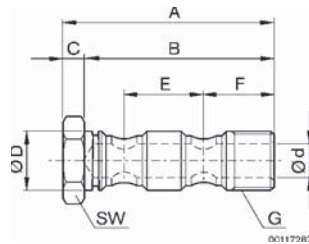


▲ ★ Banjo bolt 1-fold, series QR1-RH1



G	Ø D	A	B	C	E	Ø d	SW	Weight [g]	Per Pack	Part no.
G 1/8	9,7	25,5	21,5	4	13	5	14	16,3	10	R412005313
G 1/4	13,1	30	25	5	15,5	7	17	26,6	10	R412005314
G 3/8	16,6	33,5	27,5	6	16,5	9,5	21	33,2	10	R412005315
G 1/2	20,9	37	31	6	19	11,5	24	43,2	10	R412005316

▲ ★ Banjo bolt 2-fold, series QR1-RH2



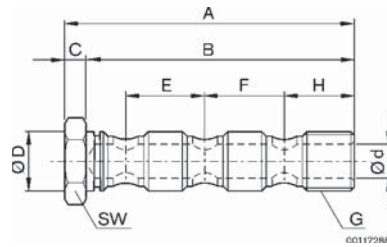
G	Ø D	A	B	C	E	F	Ø d	SW	Weight [g]	per Pack	Part no.
G 1/8	9,7	42,5	38,5	4	17	14	5	14	33,5	10	R412000613
G 1/4	13,1	59	44	5	19	17,5	7	17	36,5	10	R412000614
G 3/8	16,6	55,5	49,5	6	22	19,5	9,5	21	39,5	10	R412005317
G 1/2	20,9	61	55	6	24	22,5	11,5	24	42,5	10	R412005318

Plastic fittings, QR1 - Standard Metric

M 5 - G 1/2, push-in fitting for compressed air hoses \varnothing 4 to 16 mm

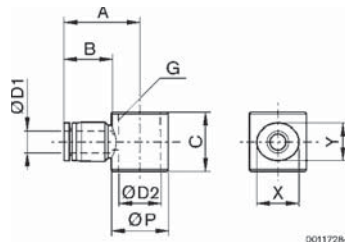
AVENTICS[®]

▲ ★ Banjo bolt 3-fold, series QR1-RH3



G	Ø D	A	B	C	E	F	H	Ø d	SW	Weight [g]	per Pack	Part no.
G 1/8	9,7	59,5	55,5	4	17	17	13	5	14	36	10	R412005319
G 1/4	13,1	68	63	5	19	19	15,5	7	17	39	10	R412000615
G 3/8	16,6	77,5	71,5	6	22	22	17,5	9,5	21	42	10	R412005320
G 1/2	20,9	85	79	6	24	24	19	11,5	24	44	10	R412005321

▲ ★ Ring connector 1-fold, series QR1-RV1



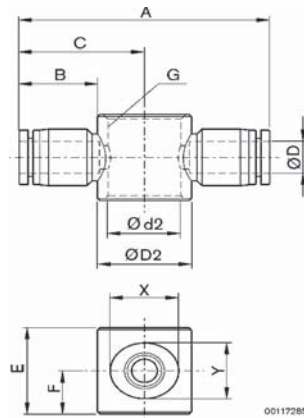
G	Ø D1	Ø D2	A	B	C	Ø P	X	Y	Weight [g]	per Pack	Part no.
G 1/8	4	9,8	19	16	17	15	12	10	2,2	10	R412000617
G 1/8	6	9,8	19,8	17	17	15	14	12	3	10	R412000623
G 1/8	8	9,8	21,6	18,5	19	15	16	14	4,1	10	R412000618
G 1/4	6	13,2	20,9	17	17	18	14	12	3,5	10	R412000624
G 1/4	8	13,2	21,6	18,5	19	18	16	14	4,5	10	R412000619
G 1/4	10	13,2	24	21	22	18	19	17	7,2	10	R412005303
G 3/8	8	16,7	24	18,5	19	21,5	16	14	5,8	10	R412005301
G 3/8	10	16,7	25,5	21	22	21,5	19	17	8,9	10	R412005302
G 3/8	12	16,7	28	22,5	22,5	21,5	23	21	9,8	10	R412005304
G 1/2	12	21	30,3	22,5	24	26	23	21	12	10	R412005305

Plastic fittings, QR1 - Standard Metric

M 5 - G 1/2, push-in fitting for compressed air hoses Ø 4 to 16 mm

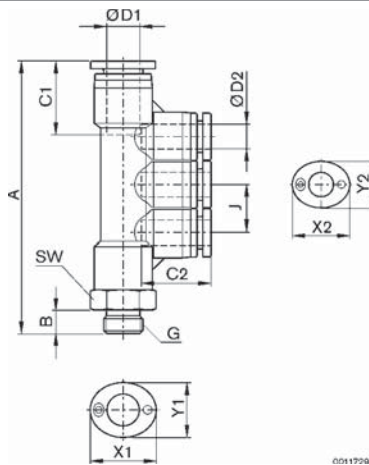


★ Ring connector 2-fold, series QR1-RT1



G	Ø D	A	B	C	Ø D2	Ø d2	E	F	X	Y	Weight [g]	per Pack	Part no.
G 1/8	4	38	16	19	15	9,8	17	8,5	12	10	4,5	10	R412000621
G 1/8	6	39,9	17	19,8	15	9,8	17	8,5	14	12	5,6	10	R412000625
G 1/8	8	43,2	18,5	21,6	15	9,8	17	8,5	16	14	7,7	10	R412005306
G 1/4	6	41,8	19	20,9	18	13,2	19	9,5	14	12	6,5	10	R412000626
G 1/4	8	43,2	18,5	21,9	18	13,2	19	9,5	16	14	9	10	R412000622
G 1/4	10	48	21	24	18	13,2	19	9,5	19	17	13,4	10	R412005308
G 3/8	8	48	18,5	24	21,5	16,7	22	11	16	14	11	10	R412005307
G 3/8	10	51	21	25,5	21,5	16,7	22	11	19	17	15,4	10	R412005309
G 3/8	12	56	22,5	28	21,5	16,7	22	11	23	21	18,8	10	R412005310
G 1/2	12	60	22,5	30	26	21	24	12	23	21	20,2	10	R412005311

★ Fitting, reducing, 3-fold, series QR1-RMG



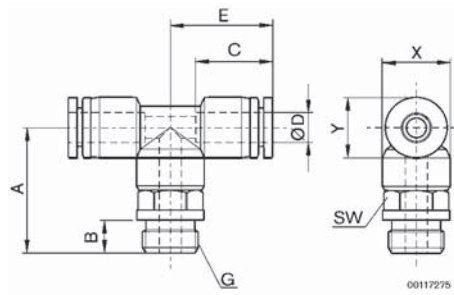
G	Ø D1	Ø D2	A	B	C1	C2	J	SW	X1	Y1	X2	Y2	Weight [g]	per Pack	Part no.
G 1/8	6	4	64,7	5	17	16	10	12	14	12	12	10	20,4	10	R412005355
G 1/4	6	4	76	6	17	16	10	12	14	12	12	10	27	10	R412005356
G 1/4	8	4	70,9	6	18,5	16	10	14	16	14	12	10	31,2	10	R412005357
G 1/4	8	6	76	6	18,5	17	12	14	16	14	14	12	32,6	10	R412005358
G 3/8	8	6	74,2	7	18,5	17	12	14	16	14	14	12	39,9	10	R412005359
G 3/8	10	8	90,6	7	21	18,5	14	17	19	17	16	14	58	10	R412005360

Plastic fittings, QR1 - Standard Metric

M 5 - G 1/2, push-in fitting for compressed air hoses \varnothing 4 to 16 mm

AVENTICS[®]

▲ ★ T-fitting, series QR1-RTT



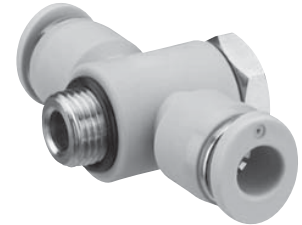
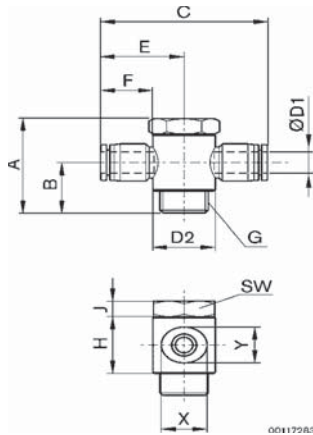
G	Ø D	A	B	C	E	SW	X	Y	Weight [g]	per Pack	Part no.
M 5	4	20,5	4	16	18,3	10	12	10	11,1	10	2122204050
M 5	6	21,5	5	17	20,4	12	14	12	13,7	10	R412005201
G 1/8	4	21,6	5	16	18,1	10	12	10	14,4	10	2122204180
G 1/8	6	21,9	5	17	20,4	12	14	12	15,2	10	2122206180
G 1/8	8	22,5	5	18,5	22,7	14	16	14	18,7	10	2122208180
G 1/8	10	29	5	21	26,1	17	19	17	35,4	10	R412005205
G 1/4	4	22,6	6	16	18,1	17	12	10	19,2	10	2122204140
G 1/4	6	23,9	6	17	20,4	17	14	12	21,8	10	2122206140
G 1/4	8	24,5	6	18,5	22,7	17	16	14	26,6	10	2122208140
G 1/4	10	30	6	21	26,1	17	19	17	35	10	2122210140
G 1/4	12	32	6	22,5	29,3	21	23	21	50,4	10	R412005206
G 1/4	14	29,1	6	24,6	32,1	20	25	23	48,7	5	R412005208
G 3/8	6	25,9	7	17	20,4	20	14	12	33,5	10	R412005203
G 3/8	8	25,8	7	18,5	22,7	20	16	14	34,1	10	2122208380
G 3/8	10	31	7	21	26,1	20	19	17	36,3	10	2122210380
G 3/8	12	33	7	22,5	29,3	21	23	21	51,9	10	2122212380
G 3/8	14	30,1	7	24,6	32,1	20	25	23	50,7	10	2122214380
G 3/8	16	35,3	7	24,8	33,3	24	27	24	106	5	R412005210
G 1/2	8	28	8,5	18,5	22,7	24	16	14	51,5	10	R412005204
G 1/2	10	32,5	8,5	21	26,1	24	19	17	57,4	10	2122210120
G 1/2	12	34,5	8,5	22,5	29,3	24	23	21	51,9	5	2122212120
G 1/2	14	25,6	8,5	24,6	32,1	24	25	23	50,3	5	2122214120
G 1/2	16	40,8	8,5	24,8	33,3	24	27	24	114	5	R412005209

Plastic fittings, QR1 - Standard Metric

M 5 - G 1/2, push-in fitting for compressed air hoses Ø 4 to 16 mm

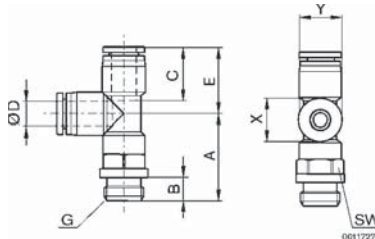


★ T-banjo connection, series QR1-RTS



G	Ø D1	Ø D2	A	B	C	E	F	H	J	SW	X	Y	Weight [g]	per Pack	Part no.
G 1/8	4	15	26,5	14	46,8	23,3	16	17	4	14	12	10	28,5	10	R412005291
G 1/8	6	15	26,5	14	49,6	24,8	17	17	4	14	14	12	29,5	10	R412005292
G 1/8	8	15	26,5	14	52,6	26,3	18,5	17	4	14	16	14	42,5	10	R412005293
G 1/4	6	18	32	17,5	51,8	25,9	17	19	5	17	14	12	31	10	R412005294
G 1/4	8	18	32	17,5	52,6	26,3	18,5	19	5	17	16	14	45,5	10	R412005295
G 1/4	10	18	32	17,5	59,6	29,8	21	19	5	17	19	17	83,5	10	R412005297
G 3/8	8	21,5	36,5	19,5	52,6	26,3	18,5	22	6	21	16	14	50,5	10	R412005296
G 3/8	10	21,5	36,5	19,5	59,6	29,8	21	22	6	21	19	17	89,3	10	R412005298
G 3/8	12	21,5	36,5	19,5	66,6	33,3	22,5	22	6	21	23	21	142	10	R412005299
G 1/2	12	26	40,5	22,5	66,6	33,3	22,5	24	6	24	23	21	148	10	R412005300

★ Male run tee, series QR1-RLT



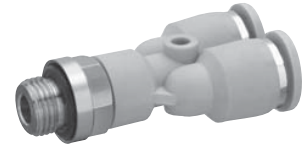
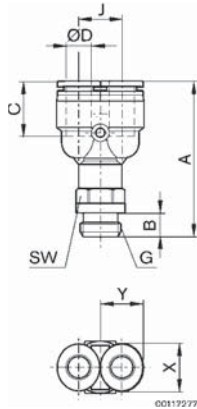
G	Ø D	A	B	C	E	SW	X	Y	Weight [g]	per Pack	Part no.
M 5	4	22,1	4	16	18,5	10	12	10	11,1	10	2122304050
M 5	6	23	4	17	20,4	12	14	12	13,6	10	R412005212
G 1/8	4	21,6	5	16	18,1	14	12	10	14,4	10	2122304180
G 1/8	6	21,9	5	17	20,4	14	14	12	15,2	10	2122306180
G 1/8	8	22,5	5	18,5	22,7	14	16	14	18,5	10	R412005214
G 1/4	4	22,6	6	16	18,1	17	12	10	19,2	10	R412005211
G 1/4	6	23,9	6	17	20,4	17	14	12	22,1	10	2122306140
G 1/4	8	24,5	6	18,5	22,7	17	16	14	26,8	10	2122308140
G 1/4	10	30	6	21	26,1	17	19	17	35,3	10	R412005215
G 1/4	12	32	6	22,5	29,3	21	23	21	49,6	5	R412005216
G 3/8	6	25,9	7	17	20,4	20	14	12	33,6	10	R412005213
G 3/8	8	25,5	7	18,5	22,7	20	16	14	34,2	10	2122308380
G 3/8	10	31	7	21	26,1	20	19	17	46,3	10	2122310380
G 3/8	12	33	7	22,5	29,3	21	23	21	51,7	5	2122312380
G 1/2	10	32,5	8,5	21	26,1	24	19	17	57,4	10	2122310120
G 1/2	12	34,5	8,5	22,5	29,3	24	23	21	64,3	5	2122312120

Plastic fittings, QR1 - Standard Metric

M 5 - G 1/2, push-in fitting for compressed air hoses \varnothing 4 to 16 mm

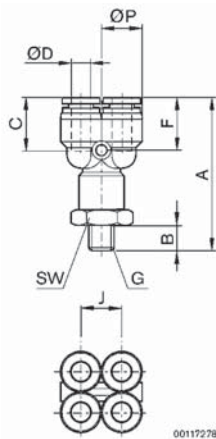


★ Y-fitting, series QR1-RAY



G	Ø D	A	B	C	J	SW	X	Y	Weight [g]	Per Pack	Part no.
M 5	4	39	4	16	9,6	10	12	10	11,4	10	2122404050
M 5	6	40,2	4	17	12	12	14	12	13,8	10	R412005219
G 1/8	4	42,2	5	16	9,6	10	12	10	14,7	10	2122404180
G 1/8	6	43,7	5	17	12	12	14	12	15,7	10	2122406180
G 1/8	8	47,7	5	18	14	14	16	14	19,6	10	2122408180
G 1/8	10	55,2	5	21	18	17	19	17	34	10	R412005223
G 1/4	4	43,2	6	16	9,6	12	12	10	19,7	10	2122404140
G 1/4	6	45,7	6	17	12	14	14	12	22,2	10	2122406140
G 1/4	8	49,7	6	18	14	14	16	14	27,6	10	2122408140
G 1/4	10	56,2	6	21	18	17	19	17	36,5	10	2122410140
G 1/4	12	58,7	6	22,5	20	21	23	21	51	10	R412005224
G 3/8	6	46,7	7	17	12	14	14	12	29	10	R412005220
G 3/8	8	51,7	7	18	14	17	16	14	34,9	10	R412005221
G 3/8	10	58,2	7	21	18	17	19	17	48	10	2122410380
G 3/8	12	59,7	7	22,5	20	21	23	21	52,7	10	2122412380
G 1/2	8	53,2	8,5	18	14	17	16	14	41	10	R412005222
G 1/2	10	59,7	8,5	21	18	19	19	17	58,5	10	2122410120
G 1/2	12	62,2	8,5	22,5	20	21	23	21	65,6	10	2122412120

★ Y-fitting 2-fold, series QR1-RDY



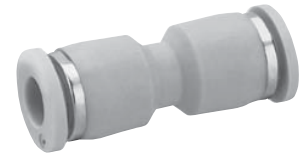
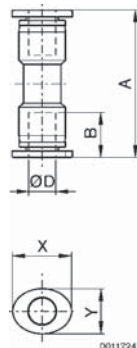
G	Ø D	A	B	C	J	SW	Ø P	Weight [g]	Per Pack	Part no.
G 1/8	4	45,8	5	16	10,4	12	10,4	20	10	R412005225
G 1/8	6	47,9	5	17	13	14	13	25,4	10	R412005227
G 1/4	4	48,8	6	16	10,4	14	10,4	25,7	10	R412005226
G 1/4	6	50,9	6	17	13	14	13	27	10	R412005228

Plastic fittings, QR1 - Standard Metric

M 5 - G 1/2, push-in fitting for compressed air hoses \varnothing 4 to 16 mm

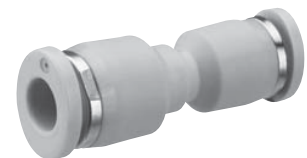
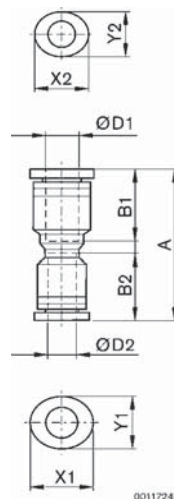


▲ ★ Straight plug connector, series QR1-RSK



\varnothing D	A	B	X	Y	Weight [g]	per Pack	Part no.
4	33,4	16	12	10	4,5	10	2121504000
6	35,4	17	14	12	5,6	10	2121506000
8	39	18,5	16	14	7,7	10	2121508000
10	43	21	19	17	13,4	10	2121510000
12	47	22,5	23	21	18,8	10	2121512000
14	51,2	24,6	25	23	24,7	5	2121514000
16	62,2	24,8	27	24	35,3	5	R412005059

▲ ★ Straight plug connector, reducing, series QR1-RSR



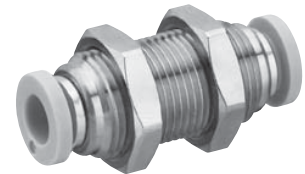
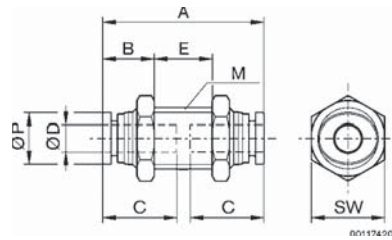
\varnothing D1	\varnothing D2	A	B1	B2	X1	Y1	X2	Y2	Weight [g]	per Pack	Part no.
6	4	34,9	17	16	14	12	12	10	5,2	10	R412005060
8	4	37,2	18,5	17	16	14	12	10	13,1	10	R412005061
8	6	37,2	18,5	17	16	14	14	12	6,9	10	R412005062
10	6	41	21	18,5	19	17	14	12	20,2	10	R412005063
10	8	41	21	18,5	19	17	16	14	10,9	10	R412005064
12	8	45	22,5	21	23	21	16	14	28,9	10	R412005065
12	10	45	22,5	21	23	21	19	17	16,4	10	R412005066
16	12	51,8	24,8	22,5	27	24	23	21	27,2	5	R412005067

Plastic fittings, QR1 - Standard Metric

M 5 - G 1/2, push-in fitting for compressed air hoses Ø 4 to 12 mm

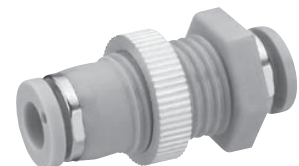
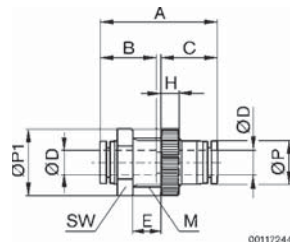


▲ ★ Bulkhead plug connector, metal, series QR1-RSM



Ø D	M	A	B	C	E	SW	Ø P	Weight [g]	per Pack	Part no.
4	M12 x 1.0	33,4	10,2	16	13	14	10	18	10	2121404000
6	M14 x 1.0	35,9	10,7	17	14,5	17	12	25,3	10	2121406000
8	M16 x 1.0	38,5	12,3	18,5	13,9	19	14	33,9	10	2121408000
10	M20 x 1.0	43,5	13	21	17,5	24	17	59,2	10	2121410000
12	M22 x 1.0	46,2	12,6	22	21	26	20	78,1	10	2121412000

▲ ★ Bulkhead plug connector, plastic, series QR1-RSC



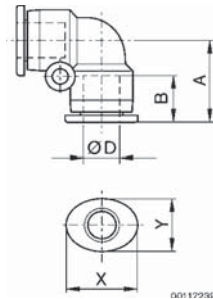
Ø D	M	A	B	C	E (Min)	E (Max)	H	SW	Ø P	Ø P1	Weight [g]	per Pack	Part no.
4	M12 x 1.5	32,2	15,6	16	1	7,8	5	14	10,4	16	7	10	R412005051
6	M14 x 1.5	36	17,2	17	1	9,2	5	17	12,4	18	9,5	10	R412005052
8	M16 x 1.5	38,5	18,4	18,5	1	9,2	6	19	14,4	22	13,5	10	R412005053
10	M20 x 2.0	43,6	21	21	1	10,8	6	24	17,6	28	23	10	R412005054
12	M24 x 2.0	47,6	22,5	22,5	1	16,2	6	27	21,2	31	31	10	R412005055

Plastic fittings, QR1 - Standard Metric

M 5 - G 1/2, push-in fitting for compressed air hoses \varnothing 4 to 16 mm

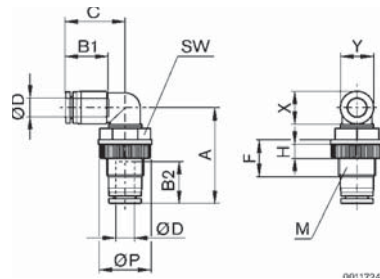
AVENTICS[®]

▲ ★ Elbow plug connector, series QR1-RVK



\varnothing D	A	B	X	Y	Weight [g]	per Pack	Part no.
4	18,7	16	12	10	4,7	10	2121204000
6	20,4	17	14	12	6,2	10	2121206000
8	22,8	18,5	16	14	8,7	10	2121208000
10	26,1	21	19	17	15,1	10	2121210000
12	29	22,5	23	21	20,7	10	2121212000
14	32,1	24,6	25	23	36,7	5	2121214000
16	31,1	24,8	27	24	36,5	5	R412005033

▲ ★ Elbow bulkhead plug connector, series QR1-RVS



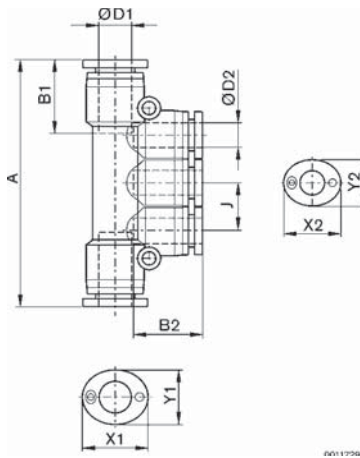
\varnothing D	M	A	B1	B2	C	F	H	P	SW	X	Y	Weight [g]	Per Pack	Part no.
4	M12 x 1.5	33,6	15,6	16	19,8	16,6	5	17	14	12	10	11	10	R412005056
6	M14 x 1.5	37,9	23	17	17,2	15	5	20,5	17	14	12	12,5	10	R412005057
8	M16 x 1.5	41,9	18,6	18,5	25,7	16	6	23	19	16	14	18,5	10	R412005375
10	M20 x 2.0	47,6	21,4	21	30,3	18	6	29	24	19	17	29	10	R412005376
12	M24 x 2.0	53,8	23,3	22,5	32,7	20	6	32	27	23	21	40	10	R412005058

Plastic fittings, QR1 - Standard Metric

M 5 - G 1/2, push-in fitting for compressed air hoses \varnothing 4 to 16 mm

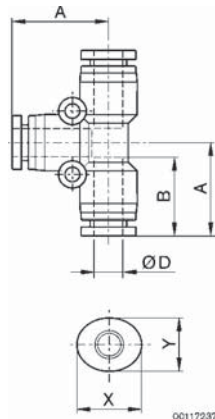


▲ ★ Plug connector, reducing, 3-fold, series QRT-RMT



\varnothing D1	\varnothing D2	A	B1	B2	J	X1	Y1	X2	Y2	Weight [g]	per Pack	Part no.
6	4	59,4	17	16	10	14	12	12	10	13,7	10	R412005346
8	4	62	18,5	16	10	16	14	12	10	16,8	10	R412005347
8	6	62	18,5	17	12	16	14	14	12	18,6	10	R412005348
10	6	79,2	21	17	12	19	17	14	12	27,6	10	R412005349
10	8	79,2	21	18,5	14	19	17	16	14	31,2	10	R412005350

▲ ★ T-plug connector, series QR1-RTK



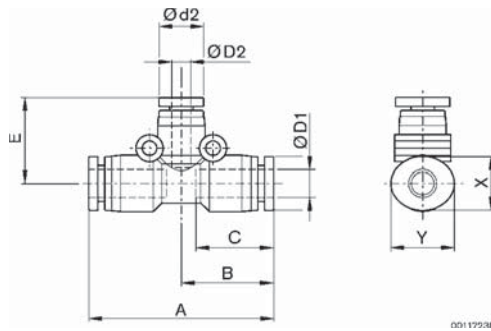
\varnothing D	A	B	X	Y	Weight [g]	per Pack	Part no.
4	18,5	16	12	10	7	10	2121104000
6	20,4	17	14	12	9,4	10	2121106000
8	22,8	18,5	16	14	12,6	10	2121108000
10	26,1	21	19	17	22,1	10	2121110000
12	29	22,5	23	21	30,7	10	2121112000
14	32,1	24,6	25	23	40,9	5	2121114000
16	31,1	24,8	27	24	52,3	5	R412005025

Plastic fittings, QR1 - Standard Metric

M 5 - G 1/2, push-in fitting for compressed air hoses \varnothing 4 to 16 mm

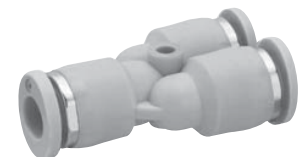
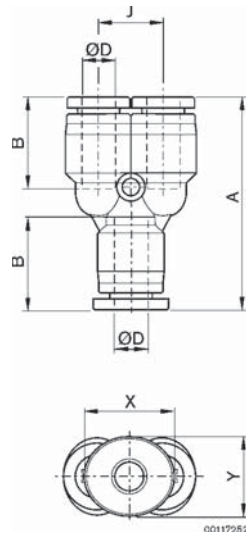
AVENTICS[®]

▲ ★ T-plug connector, reducing, series QR1-RTR



D1	D2	d2	A	B	C	E	X	Y	Weight [g]	Per Pack	Part no.
6	4	10,4	40,8	20,4	17	19,1	14	12	9	10	R412005026
8	4	12,4	45,4	22,7	18,5	21	16	12	15,2	10	R412005027
8	6	12,4	45,4	22,7	18,5	21,7	16	14	12	10	R412005028
10	6	14,4	52,2	26,1	21	23,7	19	14	23,7	10	R412005029
10	8	14,4	52,2	26,1	21	23,4	19	17	20	10	R412005030
12	8	17,4	58,6	29,3	22,5	26	23	17	34,4	10	R412005031
12	10	17,4	58,6	29,3	22,5	27,1	23	21	28	10	R412005032

▲ ★ Y-plug connector, series QR1-RYK



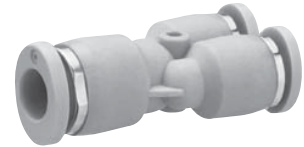
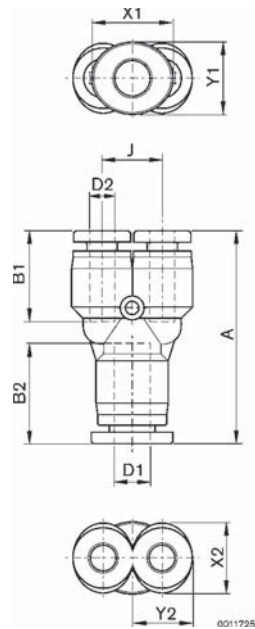
\varnothing D	A	B	J	X	Y	Weight [g]	per Pack	Part no.
4	35,9	16	9,6	12	10	7	10	2121804000
6	39,4	17	12	14	12	9,1	10	2121806000
8	43,5	18,5	14	16	14	13	10	2121808000
10	50	21	18	19	17	22,6	10	2121810000
12	53	22,5	20,8	23	21	30,5	10	2121812000

Plastic fittings, QR1 - Standard Metric

M 5 - G 1/2, push-in fitting for compressed air hoses Ø 4 to 16 mm



▲ ★ Y - plug connector, reducing, series QR1-RYR



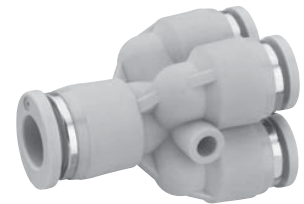
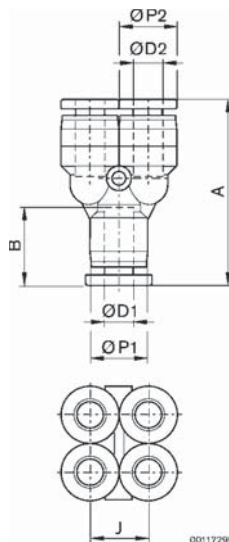
Ø D1	Ø D2	A	B1	B2	J	X1	Y1	X2	Y2	Weight [g]	per Pack	Part no.
6	4	36,9	16	17	9,3	14	12	12	10	7,6	10	2121806040
8	4	40,7	17	18,5	12	16	14	12	10	14,3	10	R412005081
8	6	40,7	17	18,5	12	16	14	14	12	10,1	10	2121808060
10	8	49,5	18,5	21	14	19	17	16	14	16,4	10	2121810080
10	6	49,5	18,5	21	14	19	17	14	12	22,8	10	R412005082
12	10	53,5	21	22,5	16	23	21	19	17	25,5	10	R412005080
12	8	53,5	21	22,5	16	23	17	16	14	33,1	10	R412005083

Plastic fittings, QR1 - Standard Metric

M 5 - G 1/2, push-in fitting for compressed air hoses \varnothing 4 to 16 mm

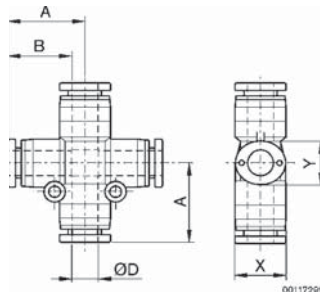


▲ ★ Y-plug connector, reducing 2-fold, series QR1-RYD



\varnothing D1	\varnothing D2	A	B	J	\varnothing P1	\varnothing P2	Weight [g]	Per Pack	Part no.
6	4	37,2	17	10,4	13	10,4	12,8	10	R412005344
8	6	40,6	18,5	13	14,4	13	17,5	10	R412005345

▲ ★ X-plug connector, series QR1-RXS



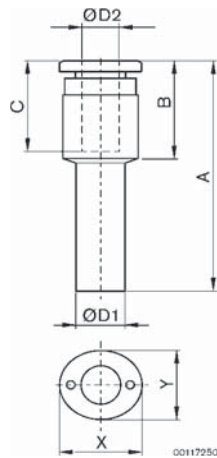
\varnothing D	A	B	X	Y	Weight [g]	per Pack	Part no.
4	18,7	16	12	10	9	10	R412005361
6	20,4	17	14	12	11,9	10	R412005362
8	22,8	18,5	16	14	16,2	10	R412005363
10	26,1	21	19	17	28,8	10	R412005364
12	29,3	22,5	23	21	40,5	10	R412005365

Plastic fittings, QR1 - Standard Metric

M 5 - G 1/2, push-in fitting for compressed air hoses \varnothing 4 to 16 mm

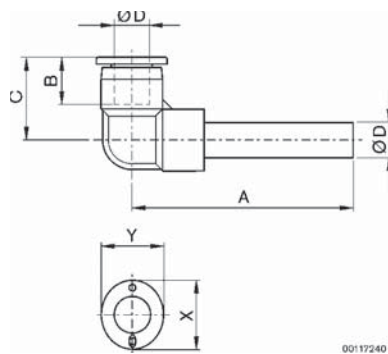
AVENTICS[®]

▲ ★ **Straight push-in fitting, reducing, series QR1-RED**



Ø D1	Ø D2	A	B	C	X	Y	Weight [g]	Per Pack	Part no.
6	4	41,2	18,2	16	12	10	3,2	10	2121706040
8	4	43,2	18,2	16	12	10	3,8	10	2121708040
8	6	44,2	19,2	17	14	12	4,2	10	2121708060
10	4	44,6	17,6	16	12	10	3,7	10	2121710040
10	6	46,2	19,2	17	14	12	4,9	10	2121710060
10	8	47,5	20,5	18,5	16	14	6,1	10	2121710080
12	6	48,2	19,2	17	14	12	5,9	10	2121712060
12	8	49,5	20,5	18,5	16	14	7	10	2121712080
12	10	52,4	23	21	19	17	9,9	10	2121712100
14	8	55,4	20,4	18,5	16	14	8,5	5	2121714080
14	10	58	23	21	19	17	13	5	2121714100
14	12	60,3	25,3	22,5	23	21	15,1	5	2121714120

▲ ★ **Elbow push-in fitting, series QR1-RVA**



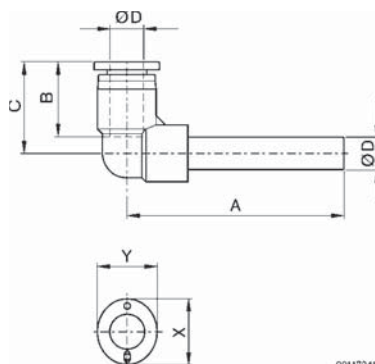
Ø D	A	B	C	X	Y	Weight [g]	Per Pack	Part no.
4	30,6	16	18,7	12	10	4,7	10	2121304040
6	35	17	21,1	14	12	5,4	10	2121306060
8	40	18,5	22,8	16	14	8	10	2121308080
10	48	21	26,1	19	17	15	10	2121310100
12	82	22,5	24,3	23	21	21,4	10	R412005036
14	56,8	24,6	32,1	25	23	21,5	5	R412005037
16	58,3	24,8	33,5	27	24	23,2	5	R412005038

Plastic fittings, QR1 - Standard Metric

M 5 - G 1/2, push-in fitting for compressed air hoses \varnothing 4 to 16 mm

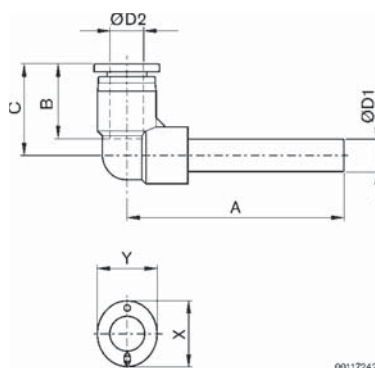


▲ ★ Elbow push-in fitting, long, series QR1-RLL



\varnothing D	A	B	C	X	Y	Weight [g]	Per Pack	Part no.
4	39,3	16	18,7	12	10	4	10	R412005039
6	49,8	17	21,1	14	12	5,5	10	R412005040
8	54	18,5	22,8	16	14	8,5	10	R412005041
10	62	21	26,1	19	17	13,5	10	R412005042
12	68,5	22,5	29,3	23	21	19,2	10	R412005043
14	78,6	24,6	32,1	25	23	23,0	5	R412005044
16	59,8	24,8	33,5	27	24	22,3	5	R412005045

▲ ★ Elbow push-in fitting, reducing, series QR1-RVR



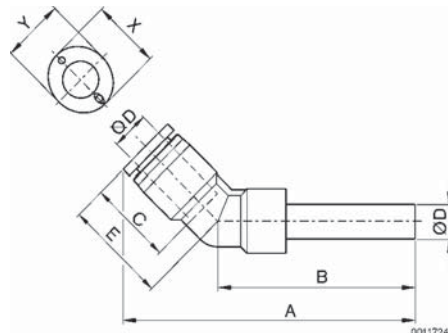
\varnothing D1	\varnothing D2	A	B	C	X	Y	Weight [g]	Per Pack	Part no.
6	4	33,3	17	18,7	12	10	5,5	10	2121304060
8	6	41,3	18,5	21,1	14	12	7	10	2121306080
10	8	43,6	21	22,8	16	14	11	10	R412005034
12	10	52	23,5	26,1	19	17	17	10	R412005035

Plastic fittings, QR1 - Standard Metric

M 5 - G 1/2, push-in fitting for compressed air hoses \varnothing 4 to 16 mm

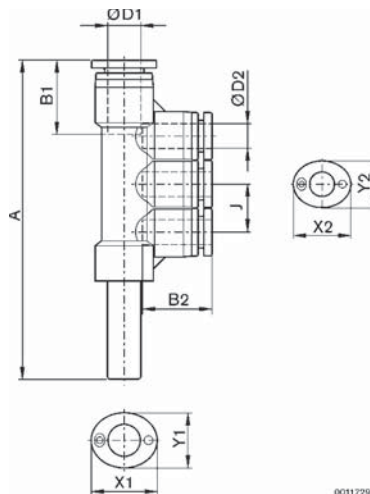


★ Elbow push-in fitting 45°, series QR1-RVW



Ø D	A	B	C	E	X	Y	Weight [g]	Per Pack	Part no.
4	56,36	43,6	16	18,1	12	10	6,9	10	R412005046
6	61,68	47,5	17	20,1	14	12	9,3	10	R412005047
8	70,53	54,5	18,5	22,7	16	14	12,9	10	R412005048
10	80,35	62	21	26,1	19	17	20,9	10	R412005049
12	90,57	69,9	22,5	29,3	23	21	32,8	10	R412005050

★ Push-in fitting, reducing, 3-fold, series QRT-RMS



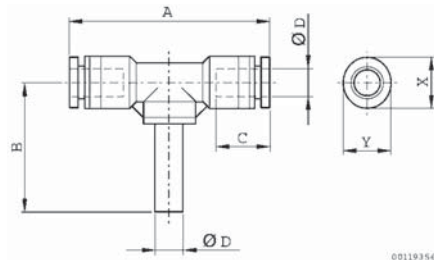
Ø D1	Ø D2	A	B1	B2	J	X1	Y1	X2	Y2	Weight [g]	Per Pack	Part no.
6	4	75,7	17	16	10	14	12	12	10	12,9	10	R412005351
8	4	79,9	18,5	16	10	16	14	12	10	15,8	10	R412005352
8	6	82,2	18,5	17	12	16	14	14	12	17,3	10	R412005353
10	8	102,6	21	18,5	14	19	17	16	14	30,2	10	R412005354

Plastic fittings, QR1 - Standard Metric

M 5 - G 1/2, push-in fitting for compressed air hoses \varnothing 4 to 16 mm



★ T-push-in fitting, series QR1-RTC

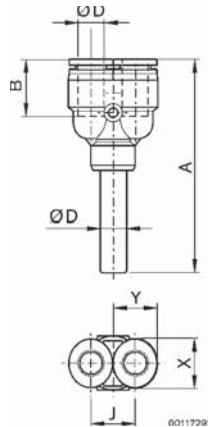


00119354



\varnothing D	A	B	C	X	Y	Weight [g]	Per Pack	Part no.
6	40,6	36,8	17	14	12	8,5	10	2122706000
8	45,7	29,3	18,5	16	14	12,7	10	2122708000

★ Y-push-in fitting, series QR1-RY2



00117292



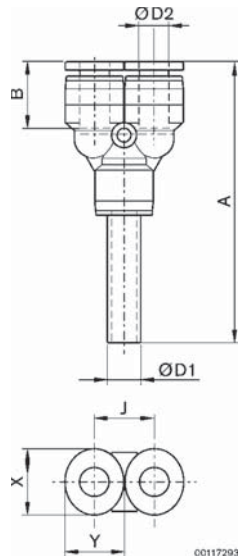
\varnothing D	A	B	J	X	Y	Weight [g]	Per Pack	Part no.
4	48,8	16	9,6	12	10	7,2	10	R412005332
6	54,7	17	12	14	12	8,5	10	R412005333
8	60,8	18,5	14	16	14	12,3	10	R412005334
10	71,2	21	18	19	17	23,1	10	R412005335
12	75,7	22,5	20,8	23	21	30,8	10	R412005336

Plastic fittings, QR1 - Standard Metric

M 5 - G 1/2, push-in fitting for compressed air hoses \varnothing 4 to 16 mm



▲ ★ Y-push-in fitting, reducing, series QR1-R2R



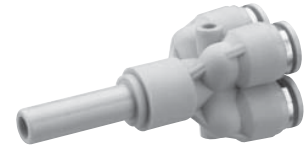
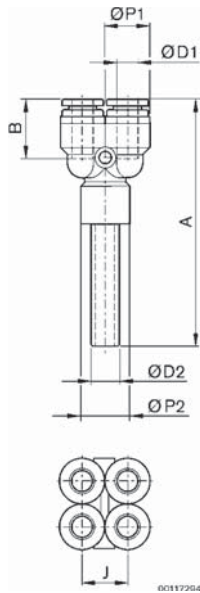
\varnothing D1	\varnothing D2	A	B	J	X	Y	Weight [g]	Per Pack	Part no.
6	4	55,2	17	9,6	12	10	7,3	10	R412005337
8	6	58,7	18,5	12	14	12	9,2	10	R412005338
10	8	64,7	21	14	16	14	13,4	10	R412005339
10	10	75,2	22,5	18	19	17	24,1	10	R412005340

Plastic fittings, QR1 - Standard Metric

M 5 - G 1/2, push-in fitting for compressed air hoses \varnothing 4 to 16 mm

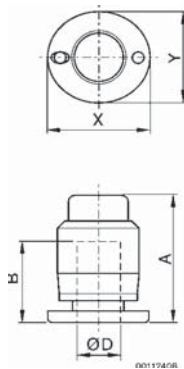


▲ ★ Y-push-in fitting, reducing, 2-fold, series QR1-RY4



Ø D1	Ø D2	A	B	J	Ø P1	Ø P2	Weight [g]	Per Pack	Part no.
4	6	55,2	16	10,4	10,4	13	12,8	10	R412005341
4	8	59,7	16	10,4	10,4	13	13,5	10	R412005342
6	8	60,9	17	13	13	14,4	17,5	10	R412005343

▲ ★ Blanking cap, series QR1-RCA



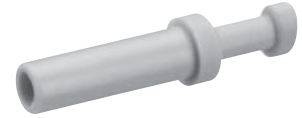
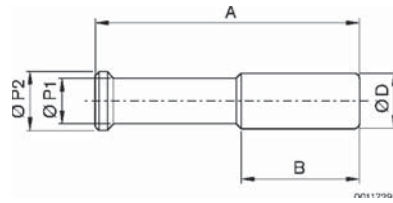
Ø D	A	B	X	Y	Weight [g]	Per Pack	Part no.
4	17,7	16	12	10	2,2	20	R412005111
6	18,7	17	14	12	3	20	R412005112
8	20,5	18,5	16	14	4,1	20	R412005113
10	23,5	21	19	17	7,2	20	R412005114
12	25,5	22,5	23	21	9,8	20	R412005115

Plastic fittings, QR1 - Standard Metric

M 5 - G 1/2, push-in fitting for compressed air hoses \varnothing 4 to 16 mm

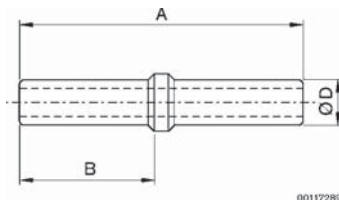
AVENTICS[®]

▲ ★ **Blanking plug, series QR1-RBS**



\varnothing D	A	B	\varnothing P1	\varnothing P2	Weight [g]	per Pack	Part no.
4	28	16	3	4	0,4	20	2123204000
6	32	17	4	6	0,7	20	2123206000
8	39	18,5	5	8	1,4	20	2123208000
10	42	21	8	10	2	20	2123210000
12	44	22,5	8	12	3,6	20	2123212000
14	45	24,6	8	14	5,0	10	2123214000
16	46	24,8	10	16	4	10	R412005331

▲ ★ **Male connector, series QR1-RDS**



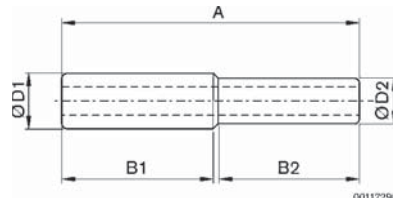
\varnothing D	A	B	Weight [g]	per Pack	Part no.
4	35	16	0,5	20	2123104000
6	37	17	0,9	20	2123106000
8	39,5	18,5	1,7	20	2123108000
10	46	21	3	20	2123110000
12	50	22,5	4,4	20	2123112000
14	53,0	24,6	3,0	20	2123114000
16	54	24,8	8,5	10	R412005322

Plastic fittings, QR1 - Standard Metric

M 5 - G 1/2, push-in fitting for compressed air hoses \varnothing 4 to 16 mm

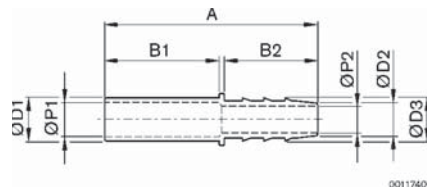
AVENTICS[®]

▲ ★ Male connector, reducing, series QR1-RDR



\varnothing D1	\varnothing D2	A	B1	B2	Weight [g]	per Pack	Part no.
6	4	36	17	16	0,7	10	R412005323
8	4	38	18,9	18	0,9	10	R412005324
8	6	39	18,5	17	1,5	10	R412005325
10	6	42	21,9	19	1,6	10	R412005326
10	8	43	21	18,5	2,8	10	R412005327
12	8	45	23,9	20	2,6	10	R412005328
12	10	48	22,5	21	4,9	10	R412005329
16	12	54	24,8	22,5	8,2	10	R412005330

▲ ★ Hose connection piece, series QR1-RTU



\varnothing D1	\varnothing D2	\varnothing D3	A	B1	B2	\varnothing P1	\varnothing P2	Weight [g]	Per Pack	Part no.
4	4,8	5,9	36	18	17	2	2	0,8	10	R412005366
8	6,8	7,9	43	25	17	6	4	1,7	10	R412005367
8	8,6	10	48,2	25	22	6	6	2,3	10	R412005368
10	6	8	45,2	29,2	16	8	4	2,0	10	R412005369
10	8,6	10	50,2	27	22	8	6,2	2,7	10	R412005370
12	8,6	10	54,2	31	22	10	6,2	2,8	10	R412005371
12	10,6	12	54,7	31	22,5	10	8	3,1	10	R412005372
12	13,5	15	55	31	22,5	10	10	5	10	R412005373
14	14,7	16	59,5	35,5	22,5	12	10	5,8	10	R412005374

Plastic fittings, QR1 - Mini Metric

M 3 - G 1/8, push-in-fitting for compressed air hoses Ø 3 to 6 mm

AVENTICS[®]

Products

Technical Data

See page 59



▲ Accessories

▲ ★ Straight fitting with external hexagon, series QR1-MAN

See page 92



▲ ★ Straight fitting with hexagon socket, series QR1-MIN

See page 92



▲ ★ Straight fitting with hexagon socket, and fine-pitch thread, series QR1-MIF

See page 93



▲ ★ Straight female fitting, series QR1-MAI

See page 93



▲ ★ Elbow fitting, series QR1-MVT

See page 94



▲ ★ Elbow fitting long, series QR1-MVL

See page 94



▲ ★ Male branch-T, series QR1-MTT

See page 95



▲ ★ Male run tee, series QR1-MLT

See page 95



▲ ★ Straight plug connector, series QR1-MSK

See page 96



▲ ★ Straight plug connector, reducing, series QR1-MSR

See page 96



▲ ★ Bulkhead connector metal, series QR1-MSM

See page 97



▲ ★ Elbow plug connector, series QR1-MVK

See page 97



Plastic fittings, QR1 - Mini Metric

M 3 - G 1/8, push-in-fitting for compressed air hoses Ø 3 to 6 mm

AVENTICS[®]

▲ Accessories

▲ ★ Elbow bulkhead plug connector, series QR1-MVS

See page 98



▲ ★ T-plug connector, series QR1-MTK

See page 98



▲ ★ Y-plug connector, series QR1-MYK

See page 99



▲ ★ Y-plug connector, reducing, series QR1-MYR

See page 99



▲ ★ X-plug connector, series QR1-MXS

See page 100



▲ ★ Straight push-in fitting, reducing, series QR1-MED

See page 100



▲ ★ Elbow push-in fitting, series QR1-MVA

See page 101



▲ ★ Y-push-in fitting, series QR1-MYZ

See page 101



▲ ★ Y-push-in fitting, reducing, series QR1-M2R

See page 102



▲ ★ Blanking cap, series QR1-MCA

See page 102



▲ ★ Blanking plug, series QR1-MBS

See page 102

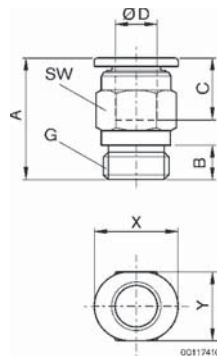


Plastic fittings, QR1 - Mini Metric

M 3 - G 1/8, push-in fitting for compressed air hoses \varnothing 3 to 6 mm

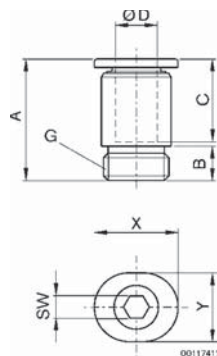
AVENTICS[®]

▲ ★ Straight fitting with external hexagon, series QR1-MAN



G	\varnothing D	A	B	C	SW	X	Y	Weight [g]	per Pack	Part no.
M3	3	13,6	3	9,5	6	7	6	1,3	25	R412005116
M3	4	17,2	3	11,5	8	10	8	3,2	25	R412005117
M5	3	16,2	4	9,5	8	7	6	3,1	25	R412005118
M5	4	16,2	4	11,5	8	10	8	2,9	25	R412005119
M5	6	17,3	4	12,5	10	12	10	3,8	25	R412005120
M6	3	17	5	9,5	8	7	6	3,3	25	R412005121
M6	4	17,4	5	11,5	8	10	8	3,2	25	R412005122
M6	6	18,3	5	12,5	10	12	10	4,1	25	R412005123
G 1/8	4	12,7	5	11,5	10	10	8	6	25	R412005124
G 1/8	6	14,9	5	12,5	10	12	10	5,3	25	R412005125

▲ ★ Straight fitting with hexagon socket, series QR1-MIN



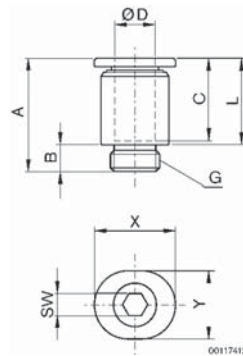
G	\varnothing D	A	B	C	SW	X	Y	Weight [g]	Per Pack	Part no.
M3	3	15,9	3	9,5	1,5	7	6	1,7	25	R412005264
M3	4	18	3	11,5	1,5	10	8	3,4	25	R412005265
M5	3	18	4	9,5	2	7	6	3,8	25	R412005266
M5	4	19,2	4	11,5	2,5	10	8	3,8	25	R412005267
M5	6	17,8	4	12,5	2,5	12	10	3,9	25	R412005268
M6	3	20,2	5	9,5	3	7	6	4,2	25	R412005269
M6	4	20,2	5	11,5	3	10	8	4	25	R412005270
M6	6	18,8	5	12,5	3	12	10	4,1	25	R412005271
M7	4	21,4	5	11,5	3	10	8	4,2	25	R412005272
M7	6	20,1	5	12,5	3	12	10	4,5	25	R412005273
G 1/8	4	12,8	5	11,5	3	10	8	5,5	25	R412005274
G 1/8	6	13,9	5	12,5	4	12	10	4,5	25	R412005275

Plastic fittings, QR1 - Mini Metric

M 3 - G 1/8, push-in fitting for compressed air hoses \varnothing 3 to 6 mm

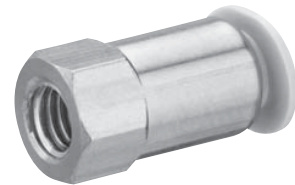
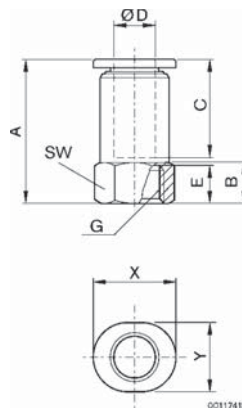


▲ ★ Straight fitting with hexagon socket, and fine-pitch thread, series QR1-MIF



G	Ø D	A	B	C	L	SW	X	Y	Weight [g]	Per Pack	Part no.
M6 x 0,75	3	14,1	3	9,5	11,1	2	7	6	2,9	25	R412005276
M6 x 0,75	4	14	3	11,5	11	2,5	10	8	2,3	25	R412005277
M8 x 0,75	4	16	5,5	11,5	10,5	3	10	8	4,6	25	R412005278
M8 x 0,75	6	16	5,5	12,5	11,5	4	12	10	3,5	25	R412005279

▲ ★ Straight female fitting, series QR1-MAI



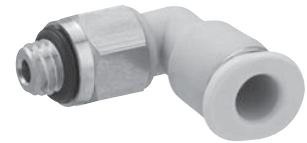
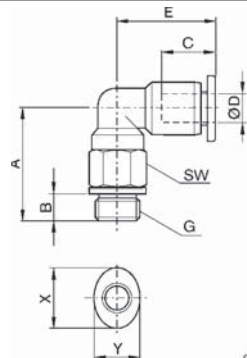
G	Ø D	A	B	C	E	SW	X	Y	Weight [g]	per Pack	Part no.
M 3	3	14,9	3	9,5	5	8	7	6	3,8	25	R412005280
M 3	4	15	3	11,5	5	8	10	8	3,7	25	R412005281
M 5	3	16,9	5	9,5	5	8	7	6	4,1	25	R412005282
M 5	4	17	5	11,5	5	8	10	8	3,8	25	R412005283

Plastic fittings, QR1 - Mini Metric

M 3 - G 1/8, push-in fitting for compressed air hoses Ø 3 to 6 mm

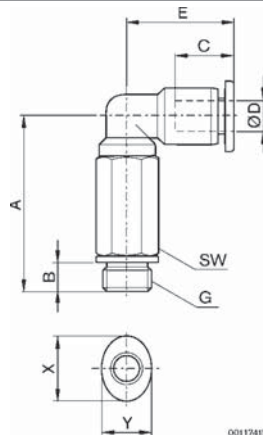
AVENTICS[®]

▲ ★ Elbow fitting, series QR1-MVT



G	Ø D	A	B	C	E	SW	X	Y	Weight [g]	per Pack	Part no.
M3	3	12,4	3	9,5	11,2	6	7	6	1,6	25	R412005284
M3	4	14	3	11,5	15,6	8	10	8	3,3	25	R412005285
M5	3	14	4	9,5	11,2	8	7	6	2,7	100	R412005286
M5	4	14	4	11,5	15,6	8	10	8	3,3	25	R412005287
M5	6	14	4	12,5	16,9	8	12	10	3,9	25	R412005288
M6	3	15	5	9,5	11,2	8	7	6	3	25	R412005289
M6	4	15	5	12,5	15,6	8	12	10	4,2	25	R412005628
M6	6	15	5	11,5	16,9	10	10	8	4,7	25	R412005627
M7	4	16,2	5	11,5	15,6	8	10	8	5,3	25	R412005377
M7	6	16,2	5	12,5	16,9	8	12	10	6,1	25	R412005378
G 1/8	4	12,6	5	11,5	15,6	12	10	8	6,1	25	R412005379
G 1/8	6	13,9	5	12,5	16,9	10	12	10	6,8	25	R412005380

▲ ★ Elbow fitting long, series QR1-MVL



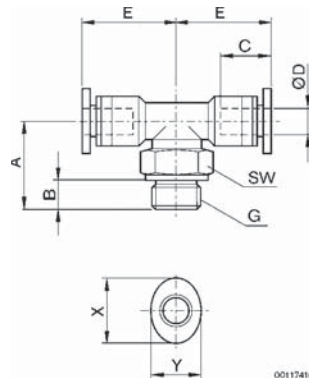
G	Ø D	A	B	C	E	SW	X	Y	Weight [g]	per Pack	Part no.
M3	3	19,4	3	9,5	11,2	6	7	6	3,1	25	R412005381
M3	4	23	3	11,5	15,6	8	10	8	7,4	25	R412005382
M5	3	26	4	9,5	11,2	8	7	6	7,6	25	R412005383
M5	4	26	4	11,5	15,6	8	10	8	7,9	25	R412005384
M5	6	26	4	12,5	16,9	8	12	10	8,5	25	R412005385
M6	4	26,5	5	11,5	15,6	8	10	8	8,3	25	R412005386
M6	6	26,5	5	12,5	16,9	8	12	10	8,9	25	R412005387
M7	4	27,2	5	11,5	15,6	8	10	8	8,9	25	R412005388
M7	6	27,2	5	12,5	16,9	8	12	10	9,5	25	R412005389
G 1/8	4	25,1	5	11,5	15,6	10	10	8	13,2	25	R412005390
G 1/8	6	26,4	5	12,5	16,9	10	12	10	13,7	25	R412005391

Plastic fittings, QR1 - Mini Metric

M 3 - G 1/8, push-in fitting for compressed air hoses \varnothing 3 to 6 mm

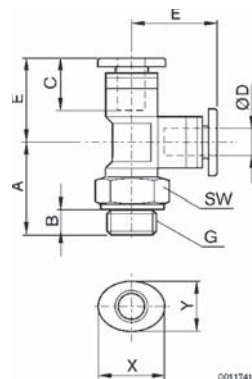
AVENTICS[®]

▲ ★ Male branch tee, series QR1-MTT



G	\varnothing D	A	B	C	E	SW	X	Y	Weight [g]	per Pack	Part no.
M 3	3	12,4	3	9,5	11,2	6	7	6	2	25	R412005392
M 3	4	15	3	11,5	13,1	8	10	8	4,2	25	R412005393
M 5	3	14	4	9,5	11,2	8	7	6	3,2	25	R412005394
M 5	4	15	4	11,5	13,1	8	10	8	4,1	25	R412005395
M 5	6	16	4	12,5	14,4	8	12	10	5,4	25	R412005396
M6	3	15	5	9,5	11,2	8	7	6	3,5	25	R412005397
M6	4	16	5	11,5	13,1	10	10	8	4,4	25	R412005398
M6	6	17	5	12,5	14,4	8	12	10	5,7	25	R412005399
G 1/8	4	13,4	5	11,5	13,1	12	10	8	6,9	25	R412005400
G 1/8	6	14,4	5	12,5	14,4	10	12	10	8,2	25	R412005401

▲ ★ Male run tee, series QR1-MLT



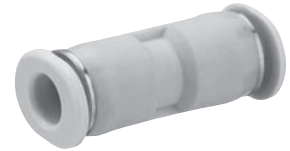
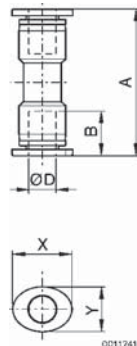
G	\varnothing D	A	B	C	E	SW	X	Y	Weight [g]	per Pack	Part no.
M3	3	11,4	3	9,5	11,2	6	7	6	2	25	R412005402
M3	4	15	3	11,5	13,1	8	10	8	4,2	25	R412005403
M5	3	14	4	9,5	11,2	8	7	6	3,3	25	R412005404
M5	4	15	4	11,5	13,1	8	10	8	4,3	25	R412005405
M5	6	17	4	12,5	14,4	8	12	10	5,6	25	R412005406
M6	3	15	5	9,5	11,2	8	7	6	3,6	25	R412005407
M6	4	16	5	11,5	13,1	8	10	8	4,5	25	R412005408
M6	6	18	5	12,5	14,4	8	12	10	5,9	25	R412005409
G 1/8	4	13,4	5	11,5	13,1	10	10	8	7	25	R412005410
G 1/8	6	15	5	12,5	14,4	10	12	10	8,4	25	R412005411

Plastic fittings, QR1 - Mini Metric

M 3 - G 1/8, push-in fitting for compressed air hoses \varnothing 3 to 6 mm

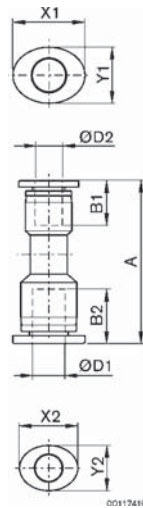


▲ ★ Straight plug connector, series QR1-MSK



\varnothing D	A	B	X	Y	Weight [g]	Per Pack	Part no.
3	20,4	9,5	7	6	1,1	25	R412005412
4	23,8	11,5	10	8	2	25	R412005413
6	25,1	12,5	12	10	3,2	25	R412005414

▲ ★ Straight plug connector, reducing, series QR1-MSR



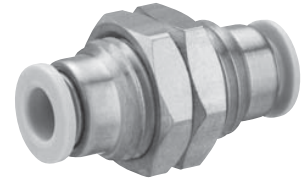
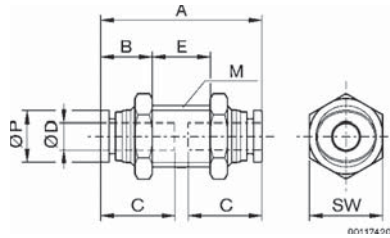
\varnothing D1	\varnothing D2	A	B1	B2	X1	Y1	X2	Y2	Weight [g]	Per Pack	Part no.
4	3	22,5	9,5	11,5	7	6	10	8	1,5	25	R412005415
6	4	24	11,5	12,5	10	8	12	10	2,5	25	R412005416

Plastic fittings, QR1 - Mini Metric

M 3 - G 1/8, push-in fitting for compressed air hoses \varnothing 3 to 6 mm

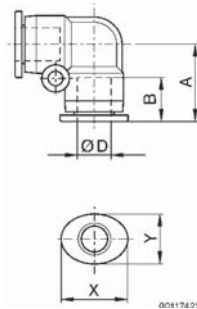


▲ ★ Bulkhead connector metal, series QR1-MSM



\varnothing D	M	A	B	C	E	SW	\varnothing P	Weight [g]	Per Pack	Part no.
3	M8 x 0,75	20	7	9,5	7,5	10	6	5,2	25	R412005417
4	M10 x 1,0	24	9	11,5	7,5	12	8	8,6	25	R412005418
6	M12 x 1,0	25,9	10,5	12,5	6	14	10,5	13,4	25	R412005419

▲ ★ Elbow plug connector, series QR1-MVK



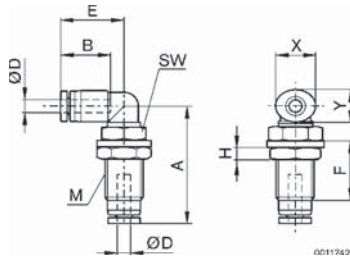
\varnothing D	A	B	X	Y	Weight [g]	Per Pack	Part no.
3	11,4	9,5	7	6	1,1	25	R412005423
4	13,9	11,5	10	8	2,1	25	R412005424
6	15,4	12,5	12	10	3,4	25	R412005425

Plastic fittings, QR1 - Mini Metric

M 3 - G 1/8, push-in fitting for compressed air hoses \varnothing 3 to 6 mm

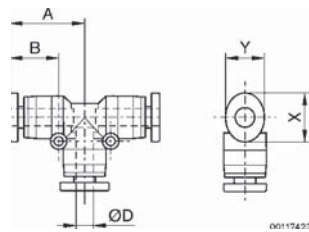


▲ ★ Elbow bulkhead plug connector, series QR1-MVS



\varnothing D	M	A	B	E	F	H	SW	X	Y	Weight [g]	Per Pack	Part no.
3	M8 x 0,75	22,4	9,5	10,6	11	2	10	9	7	5,2	25	R412005420
4	M8 x 0,75	24,4	11,5	15,3	13	3	12	10	8	8,6	25	R412005421
6	M8 x 0,75	31,5	12,5	16,3	16,6	4	14	12	10	13,4	25	R412005422

▲ ★ T-plug connector, series QR1-MTK



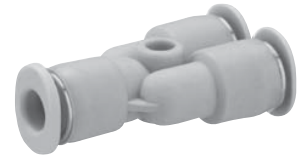
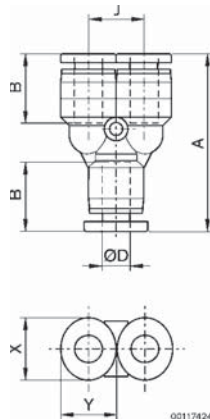
\varnothing D	A	B	X	Y	Weight [g]	Per Pack	Part no.
3	11,4	9,5	7	6	1,7	25	R412005426
4	13,9	11,5	10	8	3,1	25	R412005427
6	15,4	12,5	12	10	5	25	R412005428

Plastic fittings, QR1 - Mini Metric

M 3 - G 1/8, push-in fitting for compressed air hoses \varnothing 3 to 6 mm

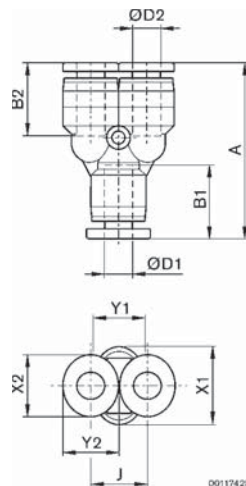


▲ ★ Y-plug connector, series QR1-MYK



\varnothing D	A	B	J	X	Y	Weight [g]	Per Pack	Part no.
3	29,9	9,5	8	7	6	3,6	25	R412005429
4	30,1	11,5	8	10	8	3,4	25	R412005430
6	32,1	12,5	10,5	12	10	5,3	25	R412005431

▲ ★ Y-plug connector, reducing, series QR1-MYR



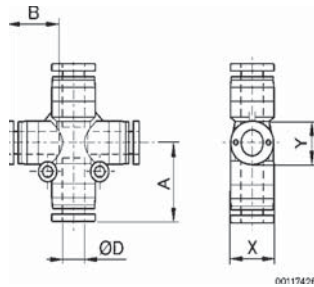
\varnothing D1	\varnothing D2	A	B1	B2	J	X1	Y1	X2	Y2	Weight [g]	Per Pack	Part no.
4	3	30	11,5	9,5	8	10	8	7	6	3,6	25	R412005432
6	4	31,5	12,5	11,5	10,5	12	10	10	8	4,1	25	R412005433

Plastic fittings, QR1 - Mini Metric

M 3 - G 1/8, push-in fitting for compressed air hoses \varnothing 3 to 6 mm

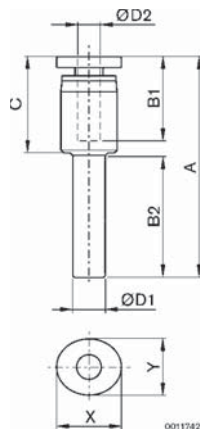


▲ ★ X-plug connector, series QR1-MXS



\varnothing D	A	B	X	Y	Weight [g]	Per Pack	Part no.
3	11,5	9,5	7	6	2,2	25	R412005434
4	13,6	11,5	10	8	4,1	25	R412005435
6	15,9	12,5	12	10	6,6	25	R412005436

▲ ★ Straight push-in fitting, reducing, series QR1-MED



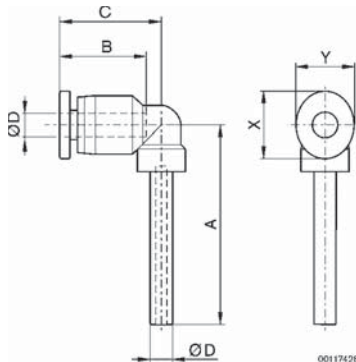
\varnothing D1	\varnothing D2	A	B1	B2	C	X	Y	Weight [g]	Per Pack	Part no.
4	3	29,2	9,5	11,5	11,2	7	6	0,9	25	R412005437
6	4	33,2	11,5	12,5	13,2	10	8	1,8	25	R412005438

Plastic fittings, QR1 - Mini Metric

M 3 - G 1/8, push-in fitting for compressed air hoses \varnothing 3 to 6 mm

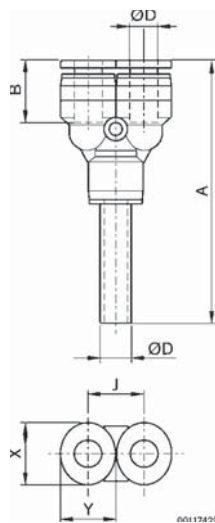


▲ ★ Elbow push-in fitting, series QR1-MVA



\varnothing D	A	B	C	X	Y	Weight [g]	Per Pack	Part no.
3	21,6	9,5	11,2	7	6	1,2	25	R412005439
4	27,6	11,5	15,6	10	8	2	25	R412005440
6	29,6	12,5	16,9	12	10	2,6	25	R412005441

▲ ★ Y-push-in fitting, series QR1-MYZ



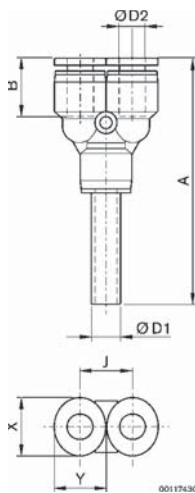
\varnothing D	A	B	J	X	Y	Weight [g]	Per Pack	Part no.
3	43,5	9,5	8	7	6	3	25	R412005442
4	45	11,5	8	10	8	3,5	25	R412005443
6	50,5	12,5	10,4	12	10	5,5	25	R412005444

Plastic fittings, QR1 - Mini Metric

M 3 - G 1/8, push-in fitting for compressed air hoses \varnothing 3 to 6 mm

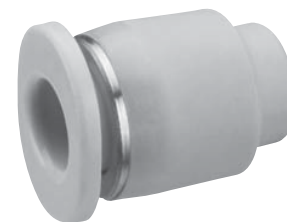
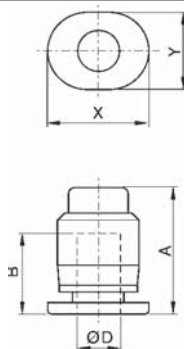


▲ ★ Y-push-in fitting, reducing, series QR1-M2R



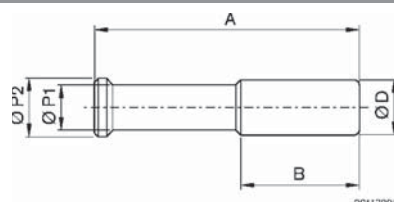
\varnothing D1	\varnothing D2	A	B	J	X	Y	Weight [g]	Per Pack	Part no.
4	3	33	9,5	8	7	6	3,7	25	R412005445
6	4	38,5	11,5	10,5	10	8	4,2	25	R412005446

▲ ★ Blanking cap, series QR1-MCA



\varnothing D	A	B	X	Y	Weight [g]	Per Pack	Part no.
3	10,7	9,5	7	6	0,5	25	R412005448

▲ ★ Blanking plug, series QR1-MBS



\varnothing D	A	B	\varnothing P	Weight [g]	per Pack	Part no.
3	22	9,5	4	0,3	25	R412005447

Products

★ Series QR1 Function fittings

See page 59



▲ Accessories

▲ ★ Check valve, straight with push-in fitting, series QR1-ANR

See page 105



▲ ★ Straight fitting, self-sealing, series QR1-AAN

See page 106



▲ ★ Elbow fitting, self-sealing, series QR1-AVT

See page 107



▲ ★ Plug connector with check valve, series QR1-SKR

See page 108



▲ ★ Plug connector, self-sealing, series QR1-ASK

See page 109



▲ ★ Bulkhead plug connector, self-sealing, series QR1-ASS

See page 109



▲ ★ 3/2-way stop valve, thread - thread, series QR1-AGG

See page 110



▲ ★ 3/2-way stop valve, thread - push-in fitting, series QR1-AGS

See page 111



▲ ★ 3/2-way stop valve, push-in fitting - thread, series QR1-ASG

See page 112



▲ ★ 3/2-way stop valve, push-in fitting - push-in fitting, series QR1-ASC

See page 113



▲ ★ Ball valve, thread - push-in fitting, series QR1-BGS

See page 114



▲ Accessories

▲ ★ Elbow ball valve, G-thread - push-in fitting, series QR1-BWG

See page 115



▲ ★ Bulkhead ball valve, push-in fitting - push-in fitting, series QR1-BSS

See page 116



▲ ★ Ball valve, push-in fitting - push-in fitting, series QR1-BSK

See page 117



▲ ★ Elbow ball valve, push-in fitting - push-in fitting, series QR1-BWS

See page 117



▲ ★ Right angle flow control valve, series QR1-DWA

See page 118



▲ ★ In-line flow control valve, series QR1-DBS

See page 119



Function Fittings, QR1 - Metric

Check valve, straight with push-in fitting



★ Check valve, straight with push-in fitting, series QR1-ANR

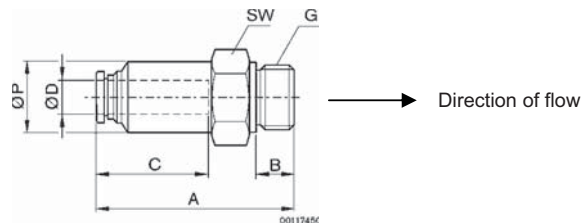
Type	Poppet valve/ sealing lip valve	
Working pressure range	10 bar (4 to 145 psi)	
Opening pressure	0,8 bar (12 psi)	
Nominal flow rate	See table	
at 6 bar (87 psi), $\Delta p = 1$ bar (15 psi)	0 °C to +60 °C(+32 to +140°F)	
Ambient temperature range	Compressed air, lubricated or non-lubricated	
Medium	See table	
Weight		
Materials	Body	Brass nickel-plated
	Seals	NBR (Nitrile Butadien Rubber)



★ Part no.

	G	Ø D	Qn [l/min]	Weight [g]	Per Pack	Part no.
	G 1/8	4	280	10	5	R412005565
	G 1/8	6	600	13,1	5	R412005566
	G 1/8	8	900	18,6	5	R412005567
	G 1/4	6	600	20,4	5	R412005568
	G 1/4	8	900	21,3	5	R412005569
	G 3/8	10	1800	46	2	R412005570
	G 3/8	12	1800	49	2	R412005571
	G 1/2	12	2000	68,5	2	R412005572

Fig. 1



Part no.	G	Ø D	A	B	C	SW	Ø P
R412005565	G 1/8	4	25,8	5	16	14	9,6
R412005566	G 1/8	6	26,8	5	17	14	11,6
R412005567	G 1/8	8	27,6	5	18,5	14	13,6
R412005568	G 1/4	6	30,2	6	17	17	11,6
R412005569	G 1/4	8	32,6	6	18,5	17	13,6
R412005570	G 3/8	10	62,2	7	21	24	25
R412005571	G 3/8	12	64,4	7	22	24	25
R412005572	G 1/2	12	70,5	8,5	22	27	28

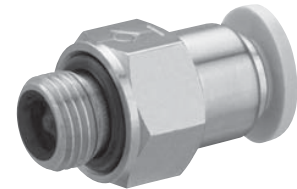
Function Fittings, QR1 - Metric

Straight fitting, self-sealing

AVENTICS[®]

▲ ★ **Straight fitting, self-sealing, series QR1-AAN**

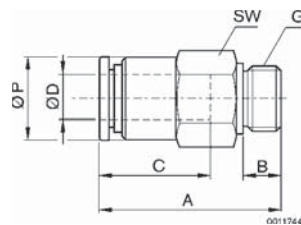
Type	Poppet valve/ sealing lip valve	
Working pressure range	10 bar (4 to 145 psi)	
Opening pressure	0,8 bar (12 psi)	
Nominal flow rate	See table	
at 6 bar (87 psi), $\Delta p = 1$ bar (15 psi)	0 °C to +60 °C (+32° F to +140° F)	
Ambient temperature range	Compressed air, lubricated or non-lubricated	
Medium	See table	
Weight		
Materials	Body	Brass nickel-plated
	Seals	NBR (Nitrile Butadien Rubber)



➔ ★ **Part no.**

	G	Ø D	Qn [l/min]	Weight [g]	Per Pack	Part no.
	G 1/8	4	300	10,5	10	R412005526
	G 1/8	6	700	12,7	10	R412005527
	G 1/4	6	700	21,3	10	R412005528
	G 1/4	8	900	20,4	10	R412005529
	G 1/4	10	900	29,4	10	R412005530
	G 3/8	8	900	38,7	10	R412005531
	G 3/8	10	1300	34,3	10	R412005532
	G 3/8	12	1500	58,8	10	R412005533
	G 1/2	10	1500	61	10	R412005534
	G 1/2	12	1800	66,9	10	R412005535

Fig. 1



Part no.	G	Ø D	A	B	C	SW	Ø P
R412005526	G 1/8	4	26,6	5	16	14	10
R412005527	G 1/8	6	26,9	5	17	14	12
R412005528	G 1/4	6	29,4	6	17	17	13
R412005529	G 1/4	8	33,8	6	18,5	17	14
R412005530	G 1/4	10	37,3	6	21	17	17
R412005531	G 3/8	8	33,8	7	18,5	21	17
R412005532	G 3/8	10	38,3	7	21	21	17
R412005533	G 3/8	12	46	7	22	21	20,2
R412005534	G 1/2	10	38,3	8,5	21	24	18
R412005535	G 1/2	12	49	8,5	22	24	20,2

Function Fittings, QR1 - Metric

Elbow fitting, self-sealing

AVENTICS[®]

★ Elbow fitting, self-sealing, series QR1-AVT

Type	Poppet valve / sealing lip valve
Working pressure range	10 bar (4 to 145 psi)
Opening pressure	0,8 bar (12 psi)
Nominal flow rate at 6 bar (87 psi), $\Delta p = 1$ bar (15 psi)	See table
Ambient temperature range	0 °C to +60 °C (+32° F to +140° F)
Medium	Compressed air, lubricated or non-lubricated
Weight	See table

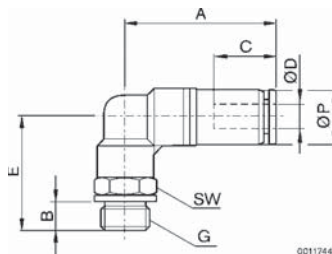
Materials	Body Seals	Brass nickel-plated NBR (Nitrile Butadien Rubber)
-----------	---------------	--



➔ ★ Part no.

	G	Ø D	Qn [l/min]	Weight [g]	Per Pack	Part no.
	G 1/8	4	300	19,7	10	R412005536
	G 1/8	6	700	20,5	10	R412005537
	G 1/8	8	900	32	10	R412005538
	G 1/4	6	700	30,6	10	R412005539
	G 1/4	8	900	39,2	10	R412005540
	G 1/4	10	1500	30	10	R412005541
	G 3/8	8	900	48,8	5	R412005542
	G 3/8	10	1500	65,9	5	R412005543
	G 3/8	12	1800	83,7	5	R412005544
	G 1/2	10	1500	89,5	5	R412005545
	G 1/2	12	1800	106,6	5	R412005546

Fig. 1



Part no.	G	Ø D	A	B	C	E	SW	Ø P
R412005536	G 1/8	4	30,7	5	16	25,6	10	10
R412005537	G 1/8	6	31,9	5	17	25	12	12,8
R412005538	G 1/8	8	40,8	5	18,5	27	14	14,4
R412005539	G 1/4	6	31,9	6	17	28	14	12,8
R412005540	G 1/4	8	40,8	6	18,5	31	14	14,4
R412005541	G 1/4	10	47,6	6	21	35	17	17,6
R412005542	G 3/8	8	40,8	7	18,5	34	17	14,4
R412005543	G 3/8	10	47,6	7	21	38	17	17,6
R412005544	G 3/8	12	55,5	7	22	38,9	21	21
R412005545	G 1/2	10	47,6	8,5	21	40	19	17,6
R412005546	G 1/2	12	55,5	8,5	22	41,9	21	21

Function Fittings, QR1 - Metric

Plug connector with check valve



★ Plug connector with check valve, series QR1-SKR

Type	Poppet valve / sealing lip valve	
Working pressure range	10 bar (4 to 145 psi)	
Opening pressure	0,8 bar (12 psi)	
Nominal flow rate Qn at 6 bar (87 psi), Δp = 1 bar (15 psi)	See table	
Ambient temperature range	0 °C to +60 °C (+32° F to +140° F)	
Medium	Compressed air, lubricated or non-lubricated	
Weight	See table	

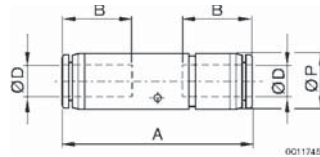
Materials	Body	PBT (Ø D = 4, 6, 8) Al (Ø D = 10, 12)
	Seals	NBR (Nitrile Butadien Rubber)



★ Part no.

	Ø D	Qn [l/min]	Weight [g]	Per Pack	Part no.
	4	280	5,9	5	R412005573
	6	600	9,1	5	R412005574
	8	1800	13,9	5	R412005575
	10	1800	17,5	2	R412005576
	12	2000	32,5	2	R412005577

Fig. 1



Part no.	Ø D	A	B	Ø P
R412005573	4	41,1	16	10
R412005574	6	47,2	17	12,4
R412005575	8	51,6	18,5	14,4
R412005576	10	77,3	21	25
R412005577	12	80	22,5	25

Function Fittings, QR1 - Metric

Plug connector, self-sealing/Bulkhead plug connector, self-sealing

AVENTICS[®]

★ Plug connector, self-sealing, series QR1-ASK

Type	Poppet valve / sealing lip valve	
Working pressure range	10 bar (4 to 145 psi)	
Opening pressure	0,8 bar (12 psi)	
Nominal flow rate Qn at 6 bar (87 psi), Δp = 1 bar (15 psi)	See table	
Ambient temperature range	0 °C to +60 °C (+32° F to +140° F)	
Medium	Compressed air, lubricated or non-lubricated	

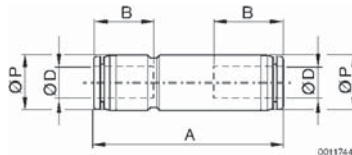
Weight	See table	
Materials	Body	PBT
	Seals	NBR
	¹ Body	Aluminium



★ Part no.

	Ø D	Qn [l/min]	Weight [g]	Per Pack	Part no.
	4	300	6,6	10	R412005547
	6	700	8,2	10	R412005548
	8	900	12,7	10	R412005549
	10	1500	22,9	10	R412005550 ¹
	12	1800	36,8	10	R412005551 ¹

Fig. 1



Part no.	Ø D	A	B	Ø P
R412005547	4	42,9	16	10
R412005548	6	46,9	17	12,4
R412005549	8	52,6	18,5	14,4
R412005550	10	59,2	21	17,6
R412005551	12	71,8	22	21,2

★ Bulkhead plug connector, self-sealing, series QR1-ASS

Type	Poppet valve / sealing lip valve	
Working pressure range	10 bar (4 to 145 psi)	
Opening pressure	0,8 bar (12 psi)	
Nominal flow rate Qn at 6 bar (87 psi), Δp = 1 bar (15 psi)	See table	
Ambient temperature range	0 °C to +60 °C (+32° F to +140° F)	
Medium	Compressed air, lubricated or non-lubricated	
Weight	See table	

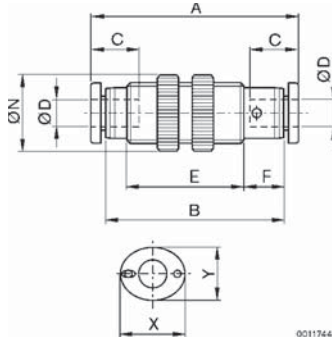


★ Part no.

	Ø D	Qn [l/min]	Weight [g]	Per Pack	Part no.
	4	300	7,4	5	R412005552
	6	700	9,9	5	R412005553
	8	900	15,9	5	R412005554
	10	1500	27,7	5	R412005555
	12	1800	35,5	5	R412005556

Function Fittings, QR1 - Metric

Bulkhead plug connector, self-sealing - 3/2-way stop valve, thread to thread



Part no.	Ø D	A	B	C	E	F	Ø N	X	Y
R412005552	4	43,2	37,4	16	18,6	9,4	17	12	10
R412005553	6	47,7	41,5	17	21,7	9,9	20,5	14	12
R412005554	8	53,4	47,2	18,5	26	10,6	23	16	14
R412005555	10	59,9	52,9	21	30,3	11,3	29	19	17
R412005556	12	70,9	63,3	22	42,3	10,5	32	23	21

★ 3/2-way stop valve, thread - thread, series QR1-AGG

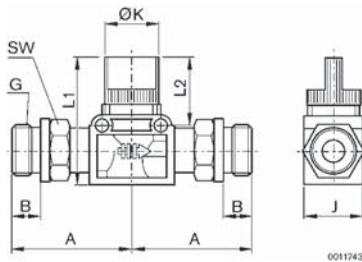
Type: Poppet valve / sealing lip valve
 Working pressure range: 10 bar (4 to 145 psi)
 Nominal flow rate Q_n at 6 bar (87 psi), $\Delta p = 1$ bar (15 psi): See table
 Ambient temperature range: 0 °C to +60 °C (+32° F to +140° F)
 Medium: Compressed air, lubricated or non-lubricated
 Weight: See table

Materials: Body - PBT, Seals - NBR (Nitrile Butadien Rubber)



★ Part no.

Symbol	G	Q_n [l/min]	Weight [g]	Per Pack	Part no.
	G 1/8	550	39,2	5	R412005486
	G 1/4	550	54,2	5	R412005487
	G 3/8	1600	92,8	5	R412005488
	G 1/2	1600	118	5	R412005489



Part no.	G	A	B	L1	L2	J	Ø K	SW
R412005486	G 1/8	33,5	5	40,5	22	17,5	16,4	14
R412005487	G 1/4	36,5	6	40,5	22	17,5	16,4	14
R412005488	G 3/8	43,9	7	40,4	19,2	21	19,2	17
R412005489	G 1/2	45,9	8,5	40,4	19,2	21	19,2	19

Function Fittings, QR1 - Metric

3/2-way stop valve, thread-push-in fitting



★ 3/2-way stop valve, thread - push-in fitting, series QR1-AGS

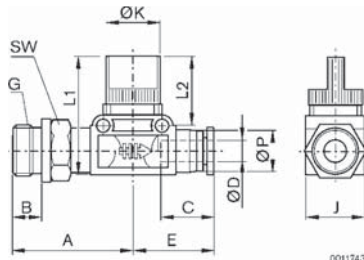
Type	Poppet valve / sealing lip valve
Working pressure range	10 bar (4 to 145 psi)
Nominal flow rate at 6 bar (87 psi), $\Delta p = 1$ bar (15 psi)	See table
Ambient temperature range	0 °C to +60 °C (+32° F to +140° F)
Medium	Compressed air, lubricated or non-lubricated
Weight	See table

Materials	Body Seals	PBT NBR (Nitrile Butadien Rubber)
-----------	---------------	--------------------------------------



➔ ★ Part no.

Symbol	G	Ø D	Qn [l/min]	Weight [g]	Per Pack	Part no.
	G 1/8	6	500	31,9	5	R412005470
	G 1/8	8	550	32,8	5	R412005471
	G 1/4	6	500	38,9	5	R412005472
	G 1/4	8	550	39,8	5	R412005473
	G 1/4	10	1500	59,8	5	R412005474
	G 1/4	12	1600	62,8	5	R412005475
	G 3/8	6	500	46,4	5	R412005476
	G 3/8	8	550	45,2	5	R412005477
	G 3/8	10	1500	65,3	5	R412005478
	G 3/8	12	1600	69,3	5	R412005479
	G 1/2	10	1500	80	5	R412005480



Part no.	G	Ø D	A	B	C	E	J	Ø K	L1	L2	SW	Ø P
R412005470	G 1/8	6	33,5	5	17	25,2	17,5	16,4	40,5	22	14	12,4
R412005471	G 1/8	8	33,5	5	18,5	27,7	17,5	16,4	40,5	22	14	14,4
R412005472	G 1/4	6	36,5	6	17	25,2	17,5	16,4	40,5	22	14	12,4
R412005473	G 1/4	8	36,5	6	18,5	27,7	17,5	16,4	40,5	22	14	14,4
R412005474	G 1/4	10	40,9	6	21	31,4	21	19,2	40,4	19,2	17	17,6
R412005475	G 1/4	12	40,9	6	22,5	34,3	21	19,2	40,4	19,2	17	21
R412005476	G 3/8	6	39,5	7	17	25,2	17,5	16,4	40,5	22	17	12,4
R412005477	G 3/8	8	39,5	7	18,5	27,7	17,5	16,4	40,5	22	17	14,4
R412005478	G 3/8	10	43,9	7	21	31,4	21	19,2	40,4	19,2	17	17,6
R412005479	G 3/8	12	43,9	7	22,5	34,3	21	19,2	40,4	19,2	17	21
R412005480	G 1/2	10	45,9	8,5	21	31,4	21	19,2	40,4	19,2	19	17,6

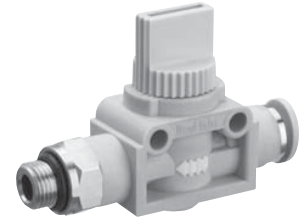
Function Fittings, QR1 - Metric

3/2-way stop valve, push-in fitting-thread

AVENTICS[®]

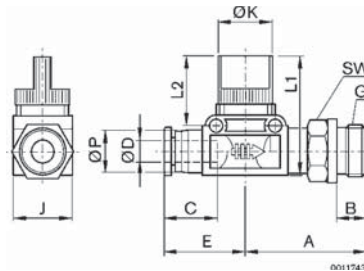
★ **3/2-way stop valve, push-in fitting - thread, series QR1-ASG**

Type	Poppet valve / sealing lip valve	
Working pressure range	10 bar (4 to 145 psi)	
Nominal flow rate	Qn	
at 6 bar (87 psi), Δp = 1 bar (15 psi)	See table	
Ambient temperature range	0 °C to +60 °C (+32° F to +140° F)	
Medium	Compressed air, lubricated or non-lubricated	
Weight	See table	
Materials	Body	PBT
	Seals	NBR (Nitrile Butadien Rubber)



➔ ★ **Part no.**

Symbol	G	Ø D	Qn [l/min]	Weight [g]	Per Pack	Part no.
	G 1/8	6	500	30,8	5	R412005459
	G 1/8	8	550	31,6	5	R412005460
	G 1/4	6	500	37	5	R412005461
	G 1/4	8	550	37,7	5	R412005462
	G 1/4	10	1500	58,5	5	R412005463
	G 1/4	12	1600	60,9	5	R412005464
	G 3/8	6	500	45,2	5	R412005465
	G 3/8	8	550	47,3	5	R412005466
	G 3/8	10	1500	67,7	5	R412005467
	G 3/8	12	1600	69,6	5	R412005468
	G 1/2	10	1500	90	5	R412005469



Part no.	G	Ø D	A	B	C	E	J	Ø K	L1	L2	SW	Ø P
R412005459	G 1/8	6	33,5	5	17	25,2	17,5	16,4	40,5	22	14	12,4
R412005460	G 1/8	8	33,5	5	18,5	27,7	17,5	16,4	40,5	22	14	14,4
R412005461	G 1/4	6	36,5	6	17	25,2	17,5	16,4	40,5	22	14	12,4
R412005462	G 1/4	8	36,5	6	18,5	27,7	17,5	16,4	40,5	22	14	14,4
R412005463	G 1/4	10	40,9	6	21	31,4	21	19,2	40,4	19,2	17	17,6
R412005464	G 1/4	12	40,9	6	22,5	34,3	21	19,2	40,4	19,2	17	21
R412005465	G 3/8	6	39,5	7	17	25,2	17,5	16,4	40,5	22	17	12,4
R412005466	G 3/8	8	39,5	7	18,5	27,7	17,5	16,4	40,5	22	17	14,4
R412005467	G 3/8	10	43,9	7	21	31,4	21	19,2	40,4	19,2	17	17,6
R412005468	G 3/8	12	43,9	7	22,5	34,3	21	19,2	40,4	19,2	17	21
R412005469	G 1/2	10	45,9	8,5	21	31,4	21	19,2	40,4	19,2	19	17,6

Function Fittings, QR1 - Metric

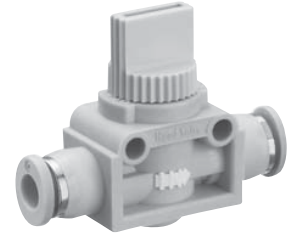
3/2-way stop valve, push-in fitting - push-in fitting



★ 3/2-way stop valve, push-in fitting - push-in fitting, series QR1-ASC

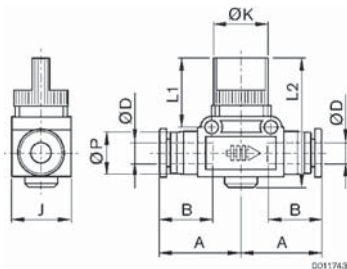
Type	Poppet valve / sealing lip valve	
Working pressure range	10 bar (4 to 145 psi)	
Nominal flow rate	Qn	See table
at 6 bar (87 psi), Δp = 1 bar (15 psi)		Compressed air, lubricated or non-lubricated
Ambient temperature range	0 °C to +60 °C (+32° F to +140° F)	
Medium	Compressed air, lubricated or non-lubricated	
Weight	See table	

Materials	Body	PBT
	Seals	NBR (Nitrile Butadien Rubber)



➔ ★ Part no.

Symbol	Ø D	Qn [l/min]	Weight [g]	Per Pack	Part no.
	6	500	23,4	5	R412005482
	8	550	25	5	R412005483
	10	1500	42,7	5	R412005484
	12	1600	47	5	R412005485



Part no.	Ø D	A	B	L1	L2	J	Ø K	Ø P
R412005482	6	25,2	17	22	40,5	17,5	16,4	12,4
R412005483	8	27,7	18,5	22	40,5	21	16,4	14,4
R412005484	10	31,4	21	19,2	40,4	21	19,2	17,6
R412005485	12	34,3	22,5	19,2	40,4	21	19,2	21

Function Fittings, QR1 - Metric

Ball valve, thread - push-in fitting

AVENTICS[®]

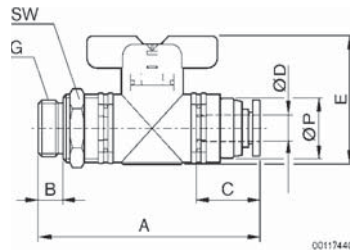
★ Ball valve, thread - push-in fitting, series QR1-BGS

Type	Ball valve (145 psi)	
Working pressure p max.	10 bar	
Nominal flow rate Q _n at 6 bar (87 psi), Δp = 1 bar (15 psi)	See table	
Ambient temperature range	0 °C to +60 °C (+32° F to +140° F)	
Medium	Compressed air, lubricated or non-lubricated	
Weight	See table	
Materials	Body Seals	PBT NBR



➔ ★ Part no.

Symbol	G	Ø D	Q _n [l/min]	Weight [g]	Per Pack	Part no.
	G 1/8	6	1300	55,5	5	R412005490
	G 1/8	8	1300	53,5	5	R412005491
	G 1/4	6	1550	58,5	5	R412005492
	G 1/4	8	1550	56,5	5	R412005493
	G 1/4	10	2300	130	5	R412005494
	G 1/4	12	2300	128	5	R412005495
	G 3/8	6	1550	67,5	5	R412005496
	G 3/8	8	1550	64,5	5	R412005497
	G 3/8	10	2600	132,5	5	R412005498
	G 3/8	12	2600	130,5	5	R412005499
	G 1/2	10	2600	149,5	5	R412005500
	G 1/2	12	2600	147,5	5	R412005501



Part no.	G	Ø D	A	B	C	E	SW	Ø P
R412005490	G 1/8	6	60,4	5	17	23	17	17
R412005491	G 1/8	8	60,3	5	18,5	23	17	17
R412005492	G 1/4	6	63,4	6	17	23	17	17
R412005493	G 1/4	8	63,3	6	18,5	23	17	17
R412005494	G 1/4	10	82,4	6	21	28	24	24
R412005495	G 1/4	12	82,9	6	22	28	24	24
R412005496	G 3/8	6	64,4	7	17	23	21	17
R412005497	G 3/8	8	64,3	7	18,5	23	21	17
R412005498	G 3/8	10	83,4	7	21	28	24	24
R412005499	G 3/8	12	83,9	7	22	28	24	24
R412005500	G 1/2	10	87,4	8,5	21	28	24	24
R412005501	G 1/2	12	87,9	8,5	22	28	24	24

Function Fittings, QR1 - Metric

Elbow ball valves, thread - push-in fitting



★ Elbow ball valve, G-thread - push-in fitting, series QR1-BWG

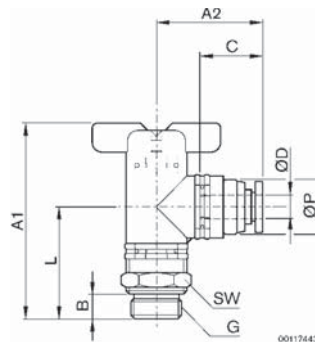
Type	Ball valve
Working pressure p max.	10 bar (145 psi)
Nominal flow rate Qn at 6 bar (87 psi), Δp = 1 bar (15 psi)	See table
Ambient temperature range	0 °C to +60 °C (+32° F to +140° F)
Medium	Compressed air, lubricated or non-lubricated
Weight	See table

Materials	Body Seals	PBT NBR
-----------	---------------	------------



➔ ★ Part no.

Symbol	G	Ø D	Qn [l/min]	Weight [g]	Per Pack	Part no.
	G 1/8	6	1250	56,5	5	R412005510
	G 1/8	8	1250	54,0	5	R412005511
	G 1/4	6	1500	59,5	5	R412005512
	G 1/4	8	1500	57,5	5	R412005513
	G 1/4	10	2300	133	5	R412005514
	G 1/4	12	2300	131	5	R412005515
	G 3/8	6	1550	68	5	R412005516
	G 3/8	8	1550	66	5	R412005517
	G 3/8	10	2600	135,5	5	R412005518
	G 3/8	12	2600	133,5	5	R412005519
	G 1/2	10	2600	152,5	5	R412005520
	G 1/2	12	2600	150,5	5	R412005521



Part no.	G	ØD	A1	A2	B	C	L	SW	Ø P
R412005510	G 1/8	6	53,8	29,8	5	17	30,8	17	17
R412005511	G 1/8	8	53,8	30,3	5	18,5	30,8	17	17
R412005512	G 1/4	6	55,3	29,8	6	17	32,3	17	17
R412005513	G 1/4	8	55,8	30,3	6	18,5	32,3	17	17
R412005514	G 1/4	10	70,1	40,1	6	21	42,1	24	24
R412005515	G 1/4	12	70,1	40	6	22	42,1	24	24
R412005516	G 3/8	6	57,8	29,8	7	17	34,8	21	17
R412005517	G 3/8	8	57,8	30,3	7	18,5	34,8	21	17
R412005518	G 3/8	10	72,1	40,1	7	21	44,1	24	24
R412005519	G 3/8	12	72,1	40	7	22	44,1	24	24
R412005520	G 1/2	10	74,1	40,1	8,5	21	46,1	24	24
R412005521	G 1/2	12	74,1	40	8,5	22	46,1	24	24

Function Fittings, QR1 - Metric

Bulkhead ball valve, push-in fitting - push-in fitting



★ Bulkhead ball valve, push-in fitting - push-in fitting, series QR1-BSS

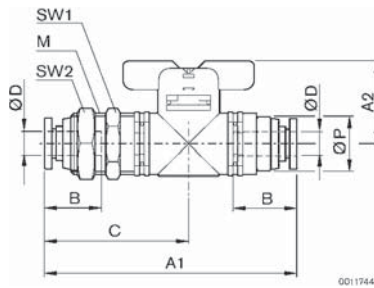
Type	Ball valve
Working pressure p max.	10 bar (145 psi)
Nominal flow rate Qn at 6 bar (87 psi), Δp = 1 bar (15 psi)	See table
Ambient temperature range	0 °C to +60 °C (+32° F to +140° F)
Medium	Compressed air, lubricated or non-lubricated
Weight	See table

Materials	Body Seals	PBT NBR
-----------	---------------	------------



➔ ★ Part no.

Symbol	Ø D	Qn [l/min]	Weight [g]	Per Pack	Part no.
	6	1000	44	5	R412005506
	8	1550	46	5	R412005507
	10	2500	110,1	5	R412005508
	12	2600	114	5	R412005509



Part no.	Ø D	M	A1	A2	B	C	SW1	SW2	Ø P
R412005506	6	M16	73,6	23	17	43,9	19	19	17
R412005507	8	M16	74,1	23	18,5	44,4	19	19	17
R412005508	10	M 22	94	28	21	55,6	24	26	24
R412005509	12	M 22	95,5	28	22	55,0	24	26	24

Function Fittings, QR1 - Metric

Ball valve, push-in fitting - push-in fitting/Elbow ball valve, push-in - push-in



★ Ball valve, push-in fitting - push-in fitting, series QR1-BSK

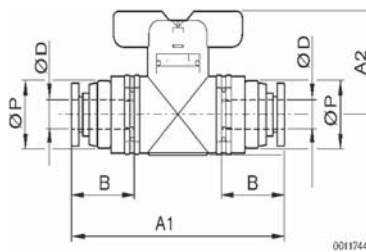
Type	Ball valve	
Working pressure p max.	10 bar (145 psi)	
Nominal flow rate Qn at 6 bar (87 psi), Δp = 1 bar (15 psi)	See table	
Ambient temperature range	0 °C to +60 °C (+32° F to +140° F)	
Medium	Compressed air, lubricated or non-lubricated	
Weight	See table	

Materials	Body Seals	PBT NBR
-----------	---------------	------------



★ Part no.

Symbol	Ø D	Qn [l/min]	Weight [g]	Per Pack	Part no.
	6	1000	45	5	R412005502
	8	1550	40,5	5	R412005503
	10	2500	102,5	5	R412005504
	12	2600	98	5	R412005505



Part no.	Ø D	A1	A2	B	Ø P
R412005502	6	59,4	23	17	17
R412005503	8	59,2	23	18,5	17
R412005504	10	78,4	28	21	24
R412005505	12	79,3	28	22	24

★ Elbow ball valve, push-in fitting - push-in fitting, series QR1-BWS

Type	Ball valve	
Working pressure p max.	10 bar (145 psi)	
Nominal flow rate Qn at 6 bar (87 psi), Δp = 1 bar (15 psi)	See table	
Ambient temperature range	0 °C to +60 °C (+32° F to +140° F)	
Medium	Compressed air, lubricated or non-lubricated	
Weight	See table	

Materials	Body Seals	PBT NBR
-----------	---------------	------------

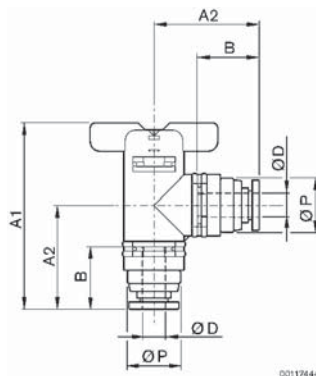


★ Part no.

Symbol	Ø D	Qn [l/min]	Weight [g]	Per Pack	Part no.
	6	900	46	5	R412005522
	8	1500	41,5	5	R412005523
	10	2500	105,5	5	R412005524
	12	2600	101	5	R412005525

Function Fittings, QR1 - Metric

Elbow fitting, push-in - push-in/Right angle flow control valve



Part no.	Ø D	A1	A2	B	Ø P
R412005522	6	52,8	29,8	17	17
R412005523	8	53,3	30,3	18,5	17
R412005524	10	68,1	39,3	21	24
R412005525	12	68,3	40,3	22	24

★ Right angle flow control valve, series QR1-DWA

Type	Cone choke
Working pressure	10 bar (145 psi)
Opening pressure (non-return valve)	0,5 bar (> 7 psi)
Nominal flow rate Qn	
at 6 bar (87 psi), Δp = 1 bar (15 psi)	See table
Ambient temperature range	0 °C to +60 °C (+32° F to +140° F)
Medium	Compressed air, lubricated or non-lubricated
Weight	See table

Materials	Body	PBT
	Seals	NBR
	Throttling screw	Brass, nickel-plated

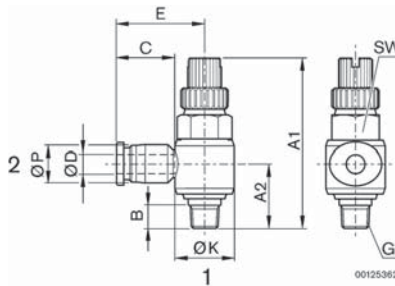


	Direction of throttle	G	ØD	Nominal flow rate [SCFM]	Weight [lbs]	Per Pack	Part No.
	1 -->2 (meter-out)	M3	3	4.2	0.01	1	R412005629
		M5	3	3.9	0.02	1	R412005630
		M5	4	2.7	0.02	1	R432031079
		M5	6	2.7	0.02	1	R432031080
		G 1/8	4	6.0	0.05	1	R432031081
		G 1/8	6	6.0	0.05	1	R432031082
		G 1/8	8	6.0	0.05	1	R432031083
		G 1/4	4	9.8	0.05	1	R432031084
		G 1/4	6	9.8	0.09	1	R432031085
		G 1/4	8	9.8	0.10	1	R432031086
		G 1/4	10	33.0	0.10	1	R432031087
		G 3/8	6	33.0	0.16	1	R432031088
		G 3/8	8	33.0	0.16	1	R432031089
		G 3/8	10	33.0	0.17	1	R432031090
		G 3/8	12	33.0	0.17	1	R432031091
		G 1/2	8	54.0	0.22	1	R432031092
		G 1/2	10	54.0	0.23	1	R432031093
G 1/2	12	54.0	0.23	1	R432031094		

Function Fittings, QR1 - Metric

In-line flow control valve

AVENTICS[®]

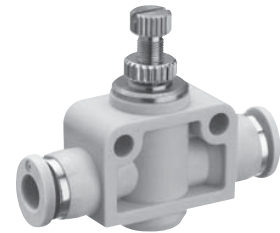


Part No.	G	ØD	A1 (max)	B	C	E	ØK	SW	ØP
R412005629	M3	3	26.5	4	9.5	14	10	8	6.3
R412005630	M5	3	26.5	4	9.5	14	10	8	6.3
R432031079	M5	4	26.5	3.5	16.0	18.5	10	8	10
R432031080	M5	6	26.5	3.5	17.0	21.7	10	8	12.4
R432031081	G 1/8	4	42.6	6	16.0	20.2	14.4	14	10
R432031082	G 1/8	6	42.6	6	17.0	22.1	14.4	14	12.4
R432031083	G 1/8	8	42.6	6	18.5	23.7	14.4	14	14.4
R432031084	G 1/4	4	51.7	8	16.0	23.2	18.4	17	10
R432031085	G 1/4	6	51.7	8	17.0	24.2	18.4	17	12.4
R432031086	G 1/4	8	51.7	8	18.5	26.9	18.4	17	14.4
R432031087	G 1/4	10	51.7	8	21.0	29.1	18.4	17	17.6
R432031088	G 3/8	6	58.3	10	17.0	26.7	22	20	12.4
R432031089	G 3/8	8	58.3	10	18.5	27.3	22	20	14.4
R432031090	G 3/8	10	58.3	10	21.0	29.5	22	20	17.6
R432031091	G 3/8	12	58.3	10	22.5	34.7	22	20	21
R432031092	G 1/2	8	47.8	12	18.5	29.2	28	24	14.4
R432031093	G 1/2	10	47.8	12	21.0	32.4	28	24	17.6
R432031094	G 1/2	12	47.8	12	22.5	34.7	28	24	21

▲ ★ In-line flow control valve, series QR1-DBS

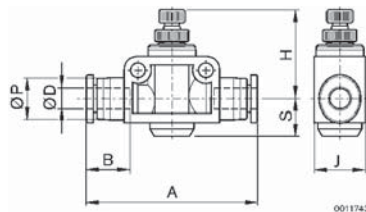
Type	Cone choke
Working pressure	10 bar (145 psi)
Opening pressure (non-return valve)	0,5 bar (> 7 psi)
Standard flow rate	Qn
at 6 bar (87 psi), Δp = 1 bar (15 psi)	See table
Ambient temperature range	0 °C to +60 °C (+32° F to +140° F)
Medium	Compressed air, lubricated or non-lubricated
Weight	See table

Materials	Body	PBT
	Seals	NBR
	Throttling screw	Brass, nickel-plated



▲ ★ Part no.

	Ø D	Qn [l/min] 1 → 2	Weight [g]	Per pack	Part no.
	3	110	8,8	5	R412005453
	4	110	11,6	5	R412005454
	6	320	27,6	5	R412005455
	8	680	40,4	5	R412005456
	10	1350	66,4	2	R412005457
	12	2400	110,6	2	R412005458



Part no.	Ø D	A	B	J	H	S	Ø P
R412005453	3	36,2	9,5	10	17,8	6,5	6,3
R412005454	4	38,4	16	11	20	6,5	10
R412005455	6	47,2	17	15	27	11	12,4
R412005456	8	51,8	18,5	18	28,5	12	14,4
R412005457	10	59,6	21	21	34	12	17,6
R412005458	12	71,4	22,5	28	33,5	16	21

Plastic Tubing - Metric

Plastic tubes, Polyurethane, series TU1



★ Plastic tubes PUR (Polyurethane), series TU1

Permissible working pressure See table
 Ambient temperature range PU -35 °C to +60 °C (-31 °F to +140 °F)
 Pressure medium Air or oil

Materials Polyurethane



Outer Dia. [mm]	Wall Thickness [mm]	Inner Dia. [mm]	Minimum bending radius at 68°F [mm]	Weight/meter [grams]	Length [m]	Black Part No.	Natural Part No.	Blue Part No.	Red Part No.	Green Part No.	Yellow Part No.
3	0.6	1.8	8	5	50	1820712068	1820712069	1820712067	1820712066		
4	0.75	2.5	12	9	25	R412009984	R412014554	R412009985	1820712020	1820712078	
					100	1820712018	1820712007	1820712036			R412004860
5	0.95	3.1	13	15	25	1820712011	1820712001	1820712031			
6	1.05	3.9	18	20	25				1820712022		
					50	R412009987	R412014556	R412009988		R412014555	
					100	1820712019	1820712006	1820712037			R412004861
8	1.15	5.7	30	30	25				1820712023		
					50	R412009989	R412014557	R412009990			
					100	1820712016	1820712008	1820712038	1820712028		R412004862
10	1.25	7.5	45	42	25	1820712015					
					50		R412014558	R412009991			
					100	1820712081	1820712009	1820712039	1820712029		
12	1.5	9	55	60	25	1820712014					
					50		R412014559	R412009992			
					100	1820712017	1820712082	1820712040	1820712083		
14	2.0	10	55	92	25	R412004778	R412004790	R412004782			
					100			R412004783			
16	2.5	11	65	129	25	R412004780	R412004792	R412004784			
					100	R412004781		R412004785	R412004789		

Plastic tubes series TU1-X-PUR (Flame resistant)						Part no.	
Dimension [mm]	I.D. [mm]	Length [m]	Min. bend. radius [mm]	Permissible working pressure [bar] (psi) +20 °C (68 °F)	Weight [g/m]	black - marking color white	black - marking color blue
4 x 1	2	25	7	16 (232)	11,97 (0.026)	1820712084	1820712096
8 x 2	4	25	15	16 (232)	47,88 (0.106)	1820712085	1820712094
10 x 2	6	25	20	16 (232)	63,84 (0.141)	1820712086	1820712095
12 x 2	8	25	28	16 (232)	79,79 (0.176)	1820712087	1820712097
14 x 2	10	25	45	16 (232)	95,76 (0.211)	1820712088	1820712098

Halogen-free flame-protected
 Fire resistance in accordance with UL 94 V-O
 Microbe resistant
 Very good hydrolysis properties
 Very good UV resistance
 Suitable for use in towing chains

Plastic Tubing - Metric

Plastic tubes, Polyurethane, series TU1/Polyamide (Nylon) series TU1



Plastic tubes series TU1-A-PUR						Part No
Dimensions [mm]	I.D. [mm]	Length [m]	Min. bend. radius	Permissible working pressure [bar] (psi) +20 °C (68 °F)	Weight [g/m]	black
4 x 0,75	2,5	50	9	10 (145)	9,04 (0.02)	1820712089
6 x 1	4	50	15	10 (145)	19,28 (0.043)	1820712091
8 x 1,1	5,8	50	28	10 (145)	29,22 (0.064)	1820712092
10 x 1,25	7,5	50	35	10 (145)	40,58 (0.085)	1820712093

Antistatic resistance of 1000 k Ohm
 Very good hydrolysis properties
 Very good UV resistance
 Microbe resistant

Plastic tubes series TU1-F-PUR						Part No		
Dimensions [mm]	I.D. [mm]	Length [m]	Min. bend. radius [mm]	Permissible working pressure [bar] (psi) +20 °C (68 °F)	Weight [g/m]	black - transparent	blue - transparent	transparent
4 x 0,75	2,5	25	12	10 (145)	8,88	–	R412004796	R412004797
6 x 1,05	3,9	25	15	10	18,84	1820712043	1820712044	1820712042
8 x 1,25	5,5	25	25	8 (116)	30,75	1820712046	1820712047	1820712045
10 x 1,5	7	25	40	8 (116)	46,46	–	R412004798	R412004799

permitted for food (documented by manufacturer's declaration)
 Microbe resistant
 Very good hydrolysis properties

★ Plastic tubes, PA Polyamide (Nylon), series TU1

Max. working pressure See table
 Ambient temperature range -40 °C to +80 °C (-40 °F to +176 °F)
 Pressure medium Air or oil

Materials See table



Plastic tubes PA – standard						Part no.	
Dimension [mm]	I.D. [mm]	Length [m]	Min. bend. radius	Max. pressure [bar] (psi) +20 °C (68 °F) / +50 °C (+122 °F)	Weight [kg] (lbs)	Black	Colorless
4 x 1	2	25	20	26 / 17 (377 / 247)	0,150 (0.331)	1820712110	1820712100
6 x 1	4	25	35	24 / 15 (348 / 218)	0,275 (0.606)	1820712111	1820712101
8 x 1	6	25	40	17 / 11 (377 / 160)	0,475 (1.047)	1820712112	1820712102
10 x 1	8	25	50	17 / 11 (377 / 160)	0,700 (1.543)	1820712115	1820712105
12 x 1,5	9	25	60	18 / 11 (261 / 160)	0,975 (2.149)	1820712113	1820712103
14 x 1,5	11	25	90	15 / 9,5 (218 / 138)	1,300 (2.866)	1820712114	1820712104

Plastic Tubing - Metric

Plastic tubes, Polyamide (Nylon), series TU1



Plastic tubes Polyamide (PA, Nylon) - "High Flow"

Dimension [mm]	I.D. [mm]	Length [m]	Min. bend. Radius	Max. pressure [bar] (psi) +20°C/+50°C (68°F/+122°F)	Weight [kg] (lbs.)	Part no.			
						Silver	Black	Blue	Colorless
4 x 0.5	3	25	20	26 / 17 (377 / 247)	0.150 (0.331)	R412009980	-	R412009913	-
		50			0.300 (0.661)	-	R412009931	-	R412009937
		100			0.600 (1.323)	R412009943	-	R412009914	-
6 x 0.65	4.7	25	30	24 / 15 (348 / 218)	0.275 (-0.606)	R412009998	-	R412009915	-
		50			0.550 (1.213)	-	R412009932	R412009916	R412009938
		100			1.100 (2.425)	R412009944	-	R412009917	-
8 x 0.8	6.4	25	40	17 / 11 (377 / 160)	0.475 (1.047)	R412009981	-	R412009918	-
		50			0.950 (2.094)	-	R412009933	R412009919	R412009939
		100			1.900 (4.189)	R412009945	-	R412009920	-
10 x 0.95	8.1	25	50	17 / 11 (377 / 160)	0.700 (1.543)	R412009982	-	R412009921	-
		50			1.400 (3.086)	-	R412009934	R412009922	R412009940
		100			2.800 (6.173)	R412009946	-	R412009923	-
12 x 1.1	9.8	25	60	18 / 11 (261 / 160)	0.975 (2.149)	R412009983	-	R412009924	-
		50			1.950 (4.300)	-	R412009935	R412009925	R412009941
		100			3.900 (8.598)	R412009947	-	R412009926	-
14 x 1.25	11.5	25	90	15 / 9.5 (218 / 138)	1.300 (2.866)	R412009999	-	R412009927	-
		50			2.600 (5.732)	-	R412009936	R412009928	R412009942
15 x 1.25	12.5	50	100	15 / 11 (218 / 160)	2.8 (6.173)	-	8289769444	-	-
16 x 1.35	13.3	25	100	13 / 8 (188 / 116)	1.625 (3.582)	R412014468	-	R412009929	-
		50			3.25 (7.165)	-	-	R412009930	-
22 x 2	18	25	100	13 / 8 (188 / 116)	3.25 (7.165)	-	-	R412009997	-
		50			6.5 (14.330)	-	-	2815222050	-

Plastic Tubing - Metric

Plastic tubes, Teflon, series TU1/Polyurethane series TU2



★ Plastic tubes, TEF (Teflon), series TU1

Max. working pressure	See table
Ambient temperature range	TEF -40 to +200 °C (-40 °F to +392 °F)
Pressure medium	Air or oil
Materials	See table



Plastic tubes series TU1-S-TEF - natural colored					Part no.	
Dimension [mm]	I.D. [mm]	Min. bend. radius	*Permissible working pressure [bar]	Weight [g/m]	Length 25 m	Length 100 m
4 x 0,75	2,5	18	16	500	-	R412004152
6 x 1	4	35	12	1030	R412004957	R412004076
8 x 1	6	65	9,5	1400	R412004958	R412004153
10 x 1	8	100	7	1700	R412004959	R412004154
12 x 1	10	145	5,9	1810	R412004960	R412004155

Plastic tubes series TU1-S-TEF - different colors						Part no.
Dimension [mm]	I.D. [mm]	Min. bend. radius [mm]	*Permissible working pressure [bar]	Weight [g/m]	Color	Length 100 m
4 x 0,75	2,5	18	16	500	red	R412004965
4 x 0,75	2,5	18	16	500	blue	R412004966
4 x 0,75	2,5	18	16	500	green	R412004967

*At 20°C (68°F)

★ Plastic tubes PUR (Polyurethane), series TU2

Permissible working pressure	See table
Ambient temperature range	PU -35 °C to +60 °C (-31 °F to +140 °F)
Pressure medium	Air or oil
Materials	Polyurethane



Plastic tubes TU2-S-PUR						Part no.
Dimension [mm]	I.D. [mm]	Length [m]	Min. bend. radius [mm]	Permissible working pressure [bar] (psi) +20 °C (68 °F)	Weight [g / m]	black / blue*
4 x 0,75	2,5	25	12	10 (145)	18,66	1820712070
5 x 0,95	3,1	25	13	10 (145)	29,50	1820712071
6 x 1,05	3,9	25	18	10 (145)	39,84	1820712072
8 x 1,15	5,7	25	30	10 (145)	60,38	1820712073
10 x 1,25	7,5	25	45	10 (145)	83,84	1820712074

* Other colors available on request

Plastic Tubing - Metric

Spiral plastic tubes, Polyamide (Nylon), series TU3/T-clips for plastic tubing



★ Spiral plastic tubes, PA Polyamide (Nylon), series TU3

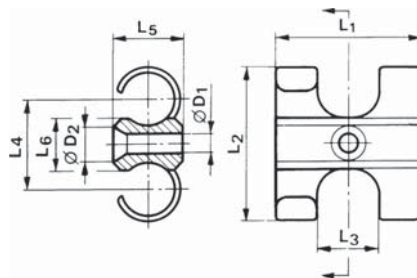
Max. working pressure	See table
Ambient temperature range	-40 °C to +80 °C (-40 °F to +176 °F)
Pressure medium	Air or oil

Materials See table



Spiral plastic tubes PA – medium hard						Part no.
Dimension [mm]	I.D. [mm]	Spiral working length min. / max. [mm]	Spiral inner Ø [mm]	Actual tube length [mm]	Weight [kg] (lbs)	Blue
6 x 1	4	160 / 6000	102	8900	0,100 (0.220)	8156060060
8 x 1	6	210 / 6000	102	8900	0,200 (0.441)	8156080060
10 x 1	8	200 / 6000	132	8900	0,300 (0.661)	8156100060

★ T-clips for plastic tubes



For plastic tube dimension	Ø D1	Ø D2	L1	L2	L3	L4	L5	L6	Part no.
4-5 x ...	3	6	18	15	6	10	7	7	8186040000
6-7 x ...	3	6	20	20	8	12	10	8	8186060000
8-9 x ...	4	8	24	25	10	15	12	10	8186080000
10-11 x ...	4	8	28	31	12	18	15	11	8186100000
12-14 x ...	4	9	35	36	14	21	17	12	8186120000
15-17 x ...	5	10	42	42	17	25	20	14	8186160000
18-21 x ...	6	12	49	52	20	31	23	16	8186180000
22-25 x ...	7	13	63	65	25	39	29	21	8186220000

Material: plastic

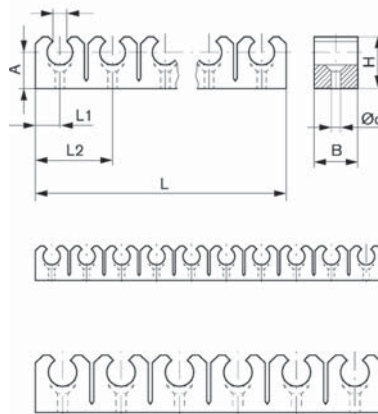
6-7 x works for 1/4" tubing
 10-11 x works for 3/8" tubing
 12-14 x works for 1/2" tubing

Plastic Tubing - Metric

Multiple clamping strips/Plastic tubing cutters



▲ ★ Multiple clamping strips for plastic tubes



For plastic tube dimension	A	B	D	Ø d	H	L	L1	L2	Clips per strip	Package quantity	Part no.
4-5 x ...	6	14	4-5	2,4	9	100,4	5,2	10	10	10	1824431005
6 x ...	5,5	14	6	3	9	110	5,5	11	10	10	1824431006
8 x ...	7,5	15	8	2,8	12,5	140,4	6,4	14,2	10	10	1824431007
10 x ...	9	18	10	2,8	15	119,2	8,4	20,4	6	10	1824431008
12 x ...	10	18	12	2,8	16	118,5	8,75	20,2	6	10	1824431009

Material: Polyethylene

6x works for 1/4" tubing

10x works for 3/8" tubing

12x works for 1/2" tubing

▲ ★ Plastic tube cutter

For tubes Ø [mm]
4-16

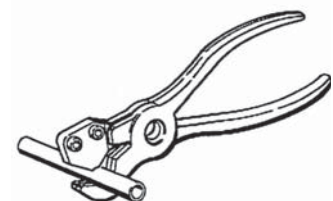
Part no.
8157007100



▲ ★ Plastic tube cutter

For tubes Ø [mm]
4-22

Part no.
8997002402

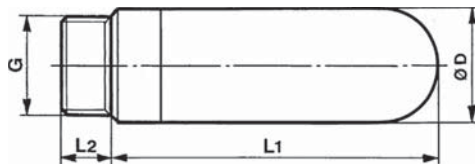


Silencers - Metric

Polyethene

AVENTICS[®]

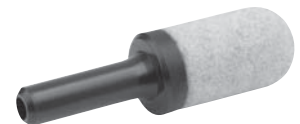
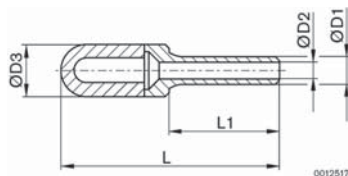
▲ ★ Silencer, porous polyethylene, with thread



G	L1	L2	Ø D [mm]	Sound pressure level to DIN 45 635	Reduction in flow %	Part no.
M 5	17,5	4	6,5	55	3,5	1827000018
G 1/8	28,5	5,5	12,5	69	1	1827000019
G 1/4	34,5	8	15,5	68	8,5	1827000020
G 3/8	56	11,5	18,5	69	27	1827000021
G 1/2	66,5	11	23,3	68	17	1827000022
G 3/4	115,5	16	38,5	72	31	1827000023
G 1	140	21	49	76	18	1827000024

Materials; PP (Polypropylene), PE (polyethylene) porous.
 Working pressure p max.: 10 bar. (145 psi)
 Ambient temperature range: -25 °C to +50 °C. (-13 °F to +122 °F)

▲ ★ Silencer with male stem



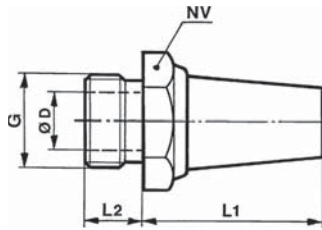
Ø D1 [mm]	Ø D2 [mm]	Ø D3 [mm]	L1	L	Per Pack	Part no.
4	2.5	7.0	16	32	5	R412007519
6	3.5	12.5	20.5	45	5	R412000591
8	4.8	13.5	21.5	43.5	5	R412007520
10	6.9	15.5	26.5	57.5	5	R412000593
12	8.4	18.5	29	82	5	R412007715

Silencers - Metric

Sintered bronze



★ Silencer, sintered bronze, with thread



G to ISO 228/1	NV	Ø D [mm]	L1	L2	Sound pressure level to DIN 45 635	Reduction in flow %	Weight kg (lbs)	Part no.
M5	7	2.5	15	5	65	-	0.004 (0.009)	1827000006
M7	10*	4	15	5	70	-	0.006 (0.013)	8140000700
G 1/8	13	6	18	6	75	6	0.010 (0.022)	1827000000
G 1/4	17	8.5	25	8	80	22	0.020 (0.044)	1827000001
G 3/8	22	12	34	10	85	41	0.050 (0.110)	1827000002
G 1/2	27	14.5	44	12	85	18	0.080 (0.176)	1827000003
G 3/4	32	19	66	14	85	20	0.130 (0.287)	1827000004
G 1	41	25	66	16	90	22	0.180 (0.397)	1827000005

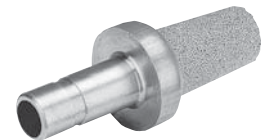
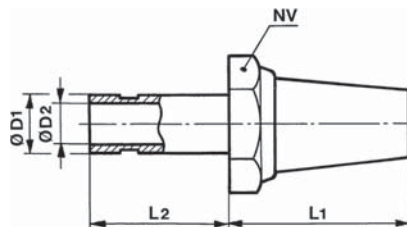
* Ø 10mm is round shape (no hexagon)

Materials: Sintered bronze, thread in brass

Working pressure p maximum: 10 bar (145 psi)

Ambient temperature range: -25°C to +80°C (-13°F to +176°F)

★ Silencer, sintered bronze, with male stem



Ø D1 [mm]	Ø D2 [mm]	L1	L2	NV	Flow rate max. [l/min] (Cv)	Part no.
4	2,5	16	17	10	360 (0.36)	8240040000
5	3	18	19	13	600 (0.60)	8240050000
6	4	18	19	13	900 (0.90)	8240060000
8	6	25	19	17	2100 (2.10)	8240080000

Materials: Sintered bronze, stem in brass.

Working pressure p max.: 10 bar. (145 psi)

Ambient temperature range: -20 °C to +70 °C. (-4 °F to +158 °F)

QR1 Fittings - Code Identification



Type	Description	Type	Description
AAN	Straight Stop Fitting	RMT	Plug Connector Reducing 3-Fold
ANR	Straight Check Valve	RPN	Straight, Tube To Male
ASK	Union Straight Stop Fitting	RSI	Straight, Female Bulkhead
ASS	Union Straight Bulkhead Stop Fitting	RSK	Union
AVT	Elbow Stop Fitting	RSM	Bulkhead
BGS	Straight Ball Valve Thread to Tube	RSR	Reducer Union
BSK	Straight Union Ball Valve	RT1	Tee Banjo Ring
BSS	Straight Bulkhead Union Ball Valve	RTK	Tee Tube
BWG	Elbow Ball Valve Thread to Tube	RTT	Male Branch Tee
DBS	Inline Flow Control	RV1	Banjo Ring
DWA	Elbow Flow Control	RVA	Plug-In Elbow, Push-in/Male Conn.
DWB	Mini Elbow Flow Control	RVI	Elbow, Female Thread/Push-in
MAI	Mini Female Straight	RVK	Union Elbow
MAN	Mini Male Straight	RVL	Ext. Elbow, Thread/Push-in
MBS	Mini Plug	RVR	Reducing Push-in Elbow
MCA	Mini Cap	RVT	Male Elbow, Thread/Push-in
MED	Mini Reducer	RVW	45° Elbow, Push-in/Male Conn.
MIN	Mini Round Male Straight	RW1	Right Angle Banjo
MLT	Mini Male Run Tee	RWD	Double Right Angle Banjo
MSM	Mini Bulkhead union	RXS	Cross Union
MSK	Mini Straight Union	RY2	Y Plug-in Fitting
MSR	Mini Reducer	RYK	Y - Tube to Tube
MTK	Mini Union Tee	RYR	Reducer Y
MTT	Mini Male Branch Tee	SKR	Union Straight Check Valve
MVA	Mini Plug-in elbow		
MVK	Mini Elbow Union	QR1 Tube and Thread Size Codes	
MVL	Mini Ext Male Elbow	1032	10-32 UNF
MVT	Mini Male Elbow	N018	1/8" NPT
MXS	Mini Union Cross	N014	1/4" NPT
MY2	Mini Plug-in reducer Y	N038	3/8" NPT
MYK	Mini Union Y	N012	1/2" NPT
MYR	Mini Reducer Y	D018	1/8" O.D.
MYZ	Mini Plug-in Y	D532	5/32" O.D.
R2R	Y Plug-in Fitting, Reducing	D014	1/4" O.D.
RAI	Straight, Female	D516	5/16" O.D.
RAS	Male Standpipe	D038	3/8" O.D.
RAT	45° Elbow, Thread/Push-in	D012	1/2" O.D.
RAY	Male Y		
RBS	Plug	00M5	M5
RCA	Blanking Cap	G018	G 1/8
RDR	Male Union Reducer	G014	G 1/4
RDS	Double Male Union	G038	G 3/8
RED	Reducer	G012	G 1/2
RID	Double Female Banjo	DA04	4 mm O.D.
RIW	Female Banjo	DA06	6 mm O.D.
RLL	Long Plug-In Elbow,Push-in/Male Conn.	DA08	8 mm O.D.
RLT	Male Run Tee	DA10	10 mm O.D.
RMG	Reducing, 3 Fold, Thread/Push-in	DA12	12 mm O.D.
RMS	Triple Reducing Manifold,Plug-in		

NOTICE TO PRODUCT USERS

1. WARNING: FLUID MEDIA

AVENTICS pneumatic devices are designed and tested for use with filtered, clean, dry, chemical free air at pressures and temperatures within the specified limits of the device. For use with media other than air or for human life support systems, AVENTICS must be consulted. Hydraulic cylinders are designed for operation with filtered, clean, petroleum based hydraulic fluid; operation using fire-resistant or other special types of fluids may require special packing and seals. Consult the factory.

2. WARNING: MATERIAL COMPATIBILITY

Damage to product seals or other parts caused by the use of non-compatible lubricants, oil additives or synthetic lubricants in the air system compressor or line lubrication devices voids the AVENTICS warranty and can result in product failure or other malfunction. See lubrication recommendations below.

AIR LINE LUBRICANTS! In service higher than 18 cycles per minute or with continuous flow of air through the device, an air line lubricator is recommended.* (Do not use line lubrication with vacuum products.) However, the lubricator must be maintained since the oil will wash out the grease, and lack of lubrication will greatly shorten the life expectancy. The oils used in the lubricator must be compatible with the elastomers in the device. The elastomers are normally BUNA-N, NEOPRENE, VITON, SILICONE and HYTREL. AVENTICS recommends the use of only petroleum based oils without synthetic additives, and with an aniline point between 180° F and 210° F.

COMPRESSOR LUBRICANTS! All compressors (with the exception of special "oil free" units) pass oil mist or vapor from the internal crankcase lubricating system through to the compressed air. Since even small amounts of non-compatible lubricants can cause severe seal deterioration (which could result in component and system failure) special care should be taken in selecting compatible compressor lubricants.

3. WARNING: INSTALLATION AND MOUNTING

The user of these devices must conform to all applicable electrical, mechanical, piping and other codes in the installation, operation or repair of these devices.

INSTALLATION ! Do not attempt to install, operate or repair these devices without proper training in the technique of working on pneumatic or hydraulic systems and devices, unless under trained supervision.

Compressed air and hydraulic systems contain high levels of stored energy. Do not attempt to connect, disconnect or repair these products when a system is under pressure. Always exhaust or drain the pressure from a system before performing any service work. Failure to do so can result in serious personal injury.

MOUNTING! Devices should be mounted and positioned in such a manner that they cannot be accidentally operated.

4. WARNING: APPLICATION AND USE OF PRODUCTS

The possibility does exist for any device or accessory to fail to operate properly through misuse, wear or malfunction. The user must consider these possibilities and should provide appropriate safe guards in the application or system design to prevent personal injury or property damage in the event of a malfunction.

5. WARNING: CONVERSION, MAINTENANCE AND REPAIR

When a device is disassembled for conversion to a different configuration, maintenance or repair, the device must be tested for leakage and proper operation after being reassembled and prior to installation.

MAINTENANCE AND REPAIR! Maintenance periods should be scheduled in accordance with frequency of use and working conditions. All AVENTICS products should provide a minimum of 1,000,000 cycles of maintenance free service when used and lubricated as recommended. However, these products should be visually inspected for defects and given an "in system" operating performance and leakage test once a year. Where devices require a major repair as a result of the one million cycles, one year, or routine inspection, the device must be disassembled, cleaned, inspected, parts replaced as required, rebuilt and tested for leakage and proper operation prior to installation. See individual catalogs for specific cycle life estimates.

6. PRODUCT CHANGES

Product changes including specifications, features, designs and availability are subject to change at any time without notice. For critical dimensions or specifications, contact factory.

*Many AVENTICS pneumatic valves and cylinders can operate with or without air line lubrication; see individual sales catalogs for details.

-Refer to the appropriate service manual for parts and service information, most are available for download from www.aventics.com/us

LIMITATIONS OF WARRANTIES & REMEDIES

AVENTICS warrants its products sold by it to be free from defects in material and workmanship to the following: For twelve months after shipment AVENTICS will repair or replace (F.O.B. our works), at its option, any equipment which under normal conditions of use and service proves to be defective in material or workmanship at no charge to the purchaser. No charge will be made for labor with respect to defects covered by this Warranty, provided that the work is done by AVENTICS or any of its authorized service facilities. However, this Warranty does not cover expenses incurred in the removal and reinstallation of any product, nor any downtime incurred, whether or not proved defective.

All repairs and replacement parts provided under this Warranty policy will assume the identity, for warranty purposes, of the part replaced, and the warranty on such replacement parts will expire when the warranty on the original part would have expired. Claims must be submitted within thirty days of the failure or be subject to rejection.

This Warranty is not transferable beyond the first using purchaser. Specifically, excluded from this Warranty are failures caused by misuse, neglect, abuse, improper operation or filtration, extreme temperatures, or unauthorized service or parts. This Warranty also excludes the use of lubricants, fluids or air line additives that are not compatible with seals or diaphragms used in the products. This Warranty sets out the purchaser's exclusive remedies with respect to products covered by it, whether for negligence or otherwise. Neither, AVENTICS nor any of its affiliates will be liable for consequential or incidental damages or other losses or expenses incurred by reason of the use or sale of such products. Our liability (except as to title) arising out of the sale, use or operation of any product or parts, whether on warranty, contract or negligence (including claims for consequential or incidental damage) shall not in any event exceed the cost of replacing the defective products and, upon expiration of the warranted period as herein provided, all such liability is terminated. THIS WARRANTY IS IN LIEU OF ALL OTHER WARRANTIES, EXPRESS OR IMPLIED, WHETHER FOR MERCHANTABILITY OR FITNESS FOR A PARTICULAR PURPOSE OR OTHERWISE. No attempt to alter, amend or extend this Warranty shall be effective unless authorized in writing by an officer of AVENTICS Corporation.

AVENTICS reserves the right to discontinue manufacture of any product, or change product materials, design or specifications without notice.

AVENTICS Corporation

1953 Mercer Road
Lexington, KY 40514
Tel 859.254.8031
Fax 800.489.1488
www.aventics.com/us
info.us@aventics.com



AVENTICS Incorporated

5515 North Service Rd
Suite #100
Burlington, Ontario L7L 6A6
Tel 905.332.0399
Fax 905.332.8596
www.aventics.com/ca
info.ca@aventics.com



Further contacts:

www.aventics.com/en/contact

The data specified only serve to describe the product. No statements concerning a certain condition or suitability for a certain application can be derived from our information. The information given does not release the user from the obligation of own judgment and verification. It must be remembered that our products are subject to a natural process of wear and aging.