

Series AS2 and AS3 FRLs

Filters-Regulators-Lubricators



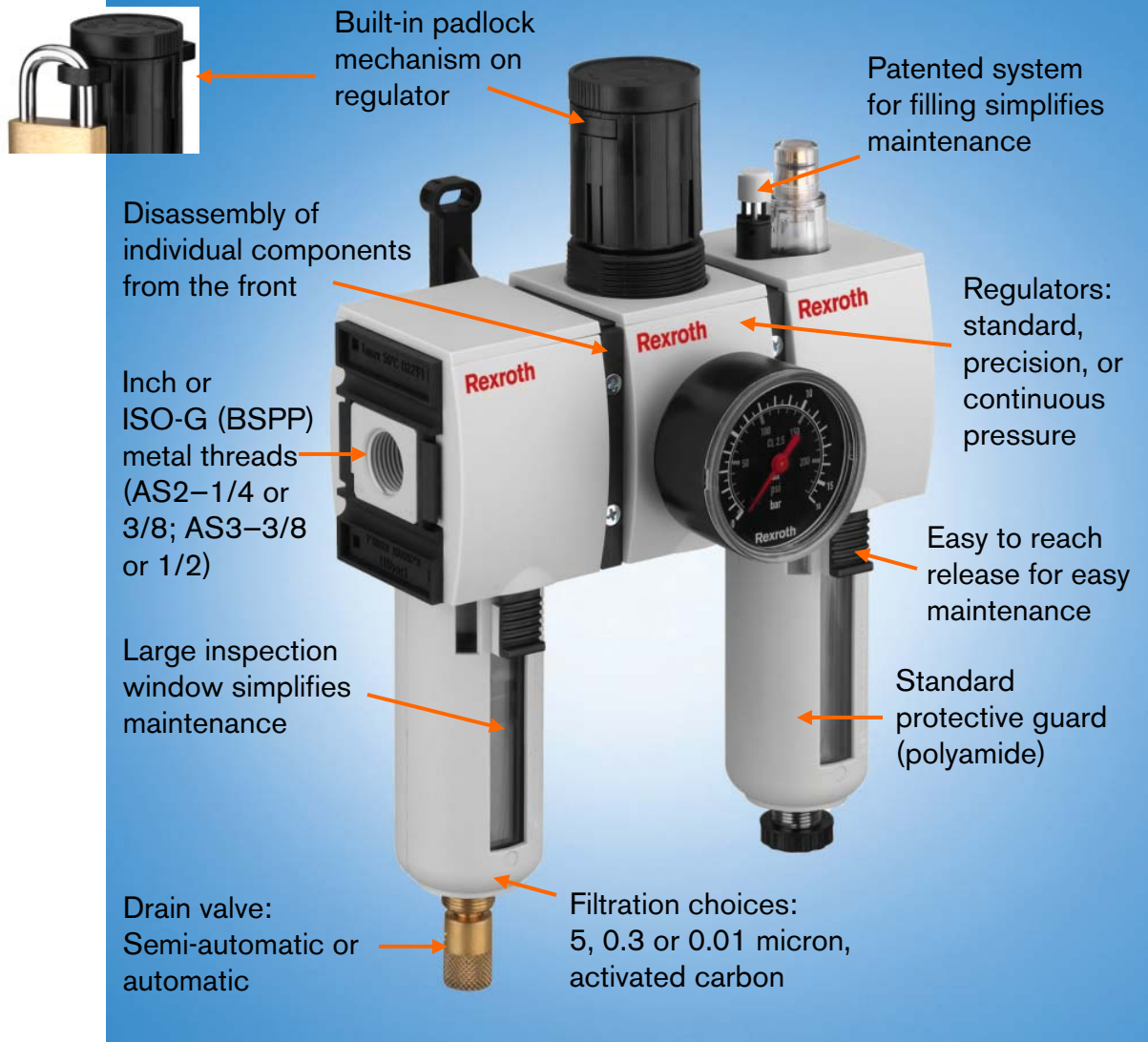
Series AS2 & AS3 FRLs

New generation of air preparation units with a smooth, light-weight polymer design

Rexroth
Bosch Group

Series AS The latest in FRLs from Bosch Rexroth

The Series AS FRL family includes individual filters, regulators and lubricators plus many other components which are modular in design, allowing both standard and custom combinations. The smooth surfaces are important in industries like food and packaging. Available with inch or ISO-G (BSPP) ports, the AS line is very versatile and has functionality that corresponds to current industry demands.



Customize your system with lockout valves, distribution blocks, filter-regulator combinations, etc.



Compr. air maintenance unit, series AS2 and AS3

Table of Contents

Rexroth
Bosch Group



	Page
Model codes and descriptions.....	2
Series AS2 Inch version, 1/4" and 3/8" NPT	3
Series AS3 Inch version, 3/8" and 1/2" NPT	36
Series AS2 Metric version, G1/4 and G3/8	63
Series AS3 Metric version, G3/8 and G1/2	96
Accessories index	123
AS2 mounting brackets and other accessories	124
AS3 mounting brackets and other accessories	133
AS2 and AS3 common accessories	141

Compr. air maintenance unit, series AS2 and AS3

Model Codes and Descriptions

Rexroth
Bosch Group



Model Codes and Descriptions

Size	
AS2	Air Service unit, 1/4" and 3/8"
AS3	Air Service unit, 3/8" and 1/2"
AS5	Air Service unit, 1/2", 3/4" and 1"
Type	
ACD	Combination FRL, piggyback FR+L
ACT	Combination FRL, F+R+L
BAV	Manual valve (lockout option)
DIS	Distributor block
FLA	Filter, active carbon
FLC	Coalescing filter, 0.01 micron
FLP	Prefilter, 0.3 micron
FLS	Standard Filter, 5 micron
FRE	Filter Regulator, piggyback
LBS	Lubricator, oil mist, with auto fill
RGP	Precision Regulator
RGP...DS	Precision Regulator, manifolded with common supply
RGS	Standard Regulator
RGS...DS	Standard Regulator, manifolded with common supply
SOV	3/2 dump valve
SSV	Soft start valve
Ports	
N014	1/4" NPT
N038	3/8" NPT
N012	1/2" NPT
N034	3/4" NPT
G014	G 1/4
G038	G 3/8
G012	G 1/2
G034	G 3/4
Drain	
AC	Automatic drain, stays closed without pressure
AO	Automatic drain, drains without pressure
HO	Semi automatic drain
Filtration	
5.00	5 micron filtration (standard for FLS)
0.30	0.3 micron filtration (standard for Pre-Filter)
0.01	0.01 micron filtration (standard for coalescing filter)
Gauge	
GAN	without Gauge
GAU	with Gauge
Mounts	
MBR-...-WO1	Mounting bracket, metal
MBR-...-WO3	Mounting strap
MBR-...-WO4	Block assembly kit
MBR-...-WO5	Mounting flange kit
Bowl	
LA	Lubricator auto fill
PBP	Polycarbonate bowl w/Polyamide bowl guard (standard)
SSS	Metal Bowl

Compr. air maintenance unit, series AS2-Inch

AS2 Inch version index



	Page
AS2 Combination FR+L maintenance unit, NPT	4
AS2 Combination F+R+L maintenance unit, NPT	6
AS2 Pressure regulator, NPT	8
AS2 Pressure regulator, manifold version, NPT	10
AS2 Precision pressure regulator, NPT	12
AS2 Precision pressure regulator, manifold version, NPT	14
AS2 Filter regulator, NPT	16
AS2 Standard filter, NPT	18
AS2 Pre-filter, NPT	20
AS2 Coalescing filter, NPT	22
AS2 Active carbon filter, NPT	24
AS2 Lubricator, NPT	26
AS2 3/2 Dump valve, electrically operated, NPT	28
AS2 3/2 Dump valve, pneumatically operated, NPT	30
AS2 Manual shut-off valve, lockable option, NPT	32
AS2 Filling valve (soft start), NPT	33
AS2 Distributor block, NPT	35
AS2 Mounting brackets and other accessories	124

Compr. air maintenance unit, series AS2-Inch

FR+L Maintenance unit AS2-ACD, 2-in-1, 1/4 NPTF - 3/8 NPTF, ATEX approved

Rexroth
Bosch Group



Technical Data

Type	Filter Pressure regulator	Filter insert exchangeable Diaphragm-type pressure regulator with secondary air exhaust Regulator head lockable
	Lubricator	Standard oil-mist lubricator with automatic oil filling Fill level – sight glass with slotted screw adjustment for oil metering. Can be filled with oil during operation
Supply pressure	Condensate drain	semi-automatic: 7 - 232 psi fully automatic : 21 - 232 psi
Secondary pressure		116 psi (max.)
Nominal flow qn		See table
Secondary pressure = 91 psi and Δp = 15 psi		
Temperature range		–10 °C to +50 °C (14 °F to +122 °F) *
Medium		Compressed air
Weight		See table
Installation position		Vertical
Materials	Body Thread insert Reservoir Bowl guard Cover Filter element	PA MXD 6, seals Buna-N(NBR) Die-cast zinc Polycarbonate with bayonet catch PA ABS Cellpor (Polyethylene)
Reservoir capacity	Filter Lubricator	28 cm ³ (0.95 U.S. Fl.oz.) 40 cm ³ (1.69 U.S. Fl.oz.)
Filter porosity		5 μm
ATEX:	In zone 1 (gas-ex, category 2G) In zone 21 (dust-ex, category 2D) In zone 2 (gas-ex, category 3G) In zone 22 (dust-ex, category 3D)	



* with dried air

Filter for separating solid impurities up to 5 μm from compressed air and gases

For quality classes according to DIN ISO 8573-1

- Solid impurities: class 3

- Humidity - water content: class 8

Oil type: HL 68 (DIN 51 524 - ISO VG 68)

Standard values for oil metering: 1-2 drops / min at a nominal flow rate of qn = 35 SCFM

Plastic containers may only be cleaned with water, soap suds, and other similar, neutral agents.

▶ - semi and fully automatic condensate drain *

*either opened without pressure (NO) or closed without pressure (NC)

Part no.

Symbol	Threaded ports	Nominal flow qn [SCFM]	Supply pressure [psi]	Options	Weight [lbs]	Part no. with pressure gauge
	1/4 NPTF	64	7 ... 232	PC container with PA protective guard semi-automatic, without pressure: open	1.4	R432000692
	1/4 NPTF	64	21 ... 232	PC container with PA protective guard fully automatic, without pressure: open	1.49	R432000693
	1/4 NPTF	64	0 ... 232	PC container with PA protective guard fully automatic, without pressure: closed	1.49	R432000694
	3/8 NPTF	71	7 ... 232	PC container with PA protective guard semi-automatic, without pressure: open	1.4	R432000698
	3/8 NPTF	71	21 ... 232	PC container with PA protective guard fully automatic, without pressure: open	1.49	R432000699
	3/8 NPTF	71	0 ... 232	PC container with PA protective guard fully automatic, without pressure: closed	1.49	R432000700

Accessories (to be ordered separately)

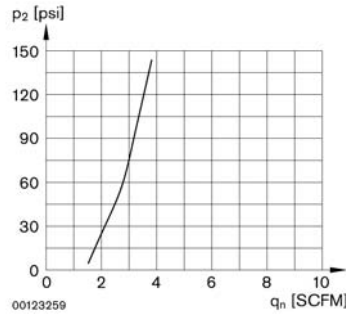
	Accessory	Part no.
	Spare parts kit: see filter pressure regulator valve AS2-FRE and normal mist lubricator AS2-LBS	
	Mounting plate AS2-MBR-...-W01	R412006368
	Mounting strap AS2-MBR-...-W03	R412006370
	Block assembly kit AS2-MBR-...-W04	R412006371
	Pneumatic oil, 1 liter	1829990046

Compr. air maintenance unit, series AS2-Inch

FR+L Maintenance unit AS2-ACD, 2-in-1, 1/4 NPTF - 3/8 NPTF, ATEX approved

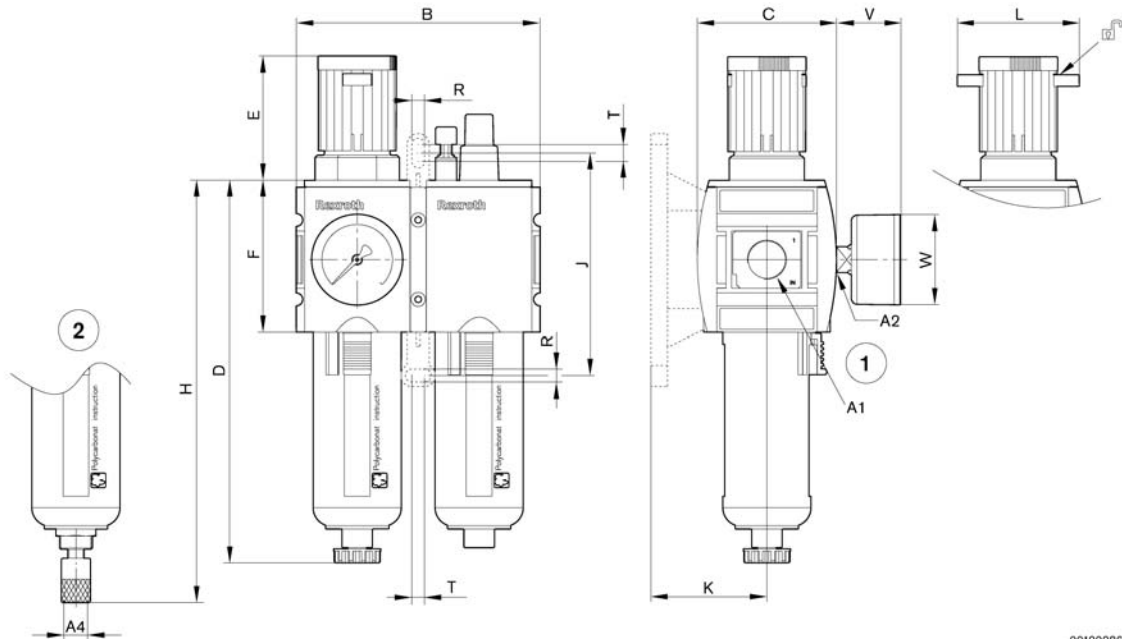
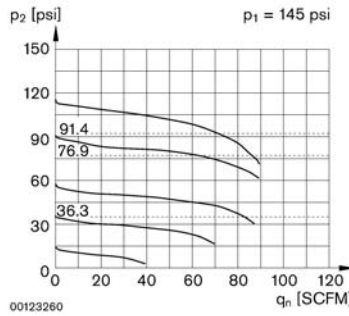


Lubrication activation margin



p_1 = Supply pressure; p_2 = Secondary pressure; q_n = Nominal flow

Flow rate characteristic (setting range p_2 : 0.5 to 8 bar) (7 to 145 psi)



00120286

- 1) Semi-automatic condensate drain
- 2) Fully automatic condensate drain

A1	A2	A4	B	C	D	E	F	H	J	K	L	R	T	V	W
1/4 NPTF	G 1/4	G 1/8	4.094	2.323	6.437	2.094	2.559	7.106	3.740	1.945	2.047	0.213	0.287	1.378	2
3/8 NPTF	G 1/4	G 1/8	4.094	2.323	6.437	2.094	2.559	7.106	3.740	1.945	2.047	0.213	0.287	1.378	2

Dimensions in inches

Compr. air maintenance unit, series AS2-Inch

FRL Maintenance unit AS2-ACT, 3-in-1, 1/4 NPTF - 3/8 NPTF, ATEX approved



Technical Data

Type	Filter Pressure regulator	Filter insert exchangeable Diaphragm-type pressure regulator with secondary air exhaust Lockable regulator head
	Lubricator	Standard oil-mist lubricator with automatic oil filling Fill level – sight glass with slotted screw adjustment for oil metering Can be filled with oil during operation
Supply pressure	Condensate drain	semi-automatic: 7 - 232 psi fully automatic : 21 - 232 psi
Secondary pressure		116 psi (max.)
Nominal flow qn		See table
Secondary pressure = 91 psi and Δp = 15 psi		
Temperature range		-10 °C to +50 °C (14 °F to +122 °F) *
Medium		Compressed air
Weight		See table
Installation position		Vertical
Materials	Body Thread insert Reservoir Bowl guard Cover Filter element	PA MXD 6, seals Buna-N(NBR) Die-cast zinc Polycarbonate with bayonet catch PA ABS Cellpor (Polyethylene)
Reservoir capacity	Filter Lubricator	28 cm ³ (0.95 U.S. Fl.oz.) 40 cm ³ (1.69 U.S. Fl.oz.)
Filter porosity		5 μm
ATEX:	In zone 1 (gas-ex, category 2G) In zone 21 (dust-ex, category 2D) In zone 2 (gas-ex, category 3G) In zone 22 (dust-ex, category 3D)	



* with dried air
Filter for separating solid impurities up to 5 μm from compressed air and gases
For quality classes according to DIN ISO 8573-1
- Solid impurities: class 3
- Humidity - water content: class 8
Oil type: HL 68 (DIN 51 524 - ISO VG 68)
Standard values for oil metering: 1-2 drops / min at a nominal flow rate of qn = 35 SCFM
Plastic containers may only be cleaned with water, soap suds, and other similar, neutral agents.

▶ - semi and fully automatic condensate drain*
* either opened without pressure (NO) or closed without pressure (NC)

Part no.

Symbol	Threaded ports	Nominal flow qn [SCFM]	Supply pressure [psi]	Options	Weight [lbs]	Part no. with pressure gauge
	1/4 NPTF	49	7 ... 232	PC container with PA protective guard semi-automatic, without pressure: open	1.72	R432000704
	1/4 NPTF	49	21 ... 232	PC container with PA protective guard fully automatic, without pressure: open	1.82	R432000705
	1/4 NPTF	49	0 ... 232	PC container with PA protective guard fully automatic, without pressure: closed	1.82	R432000706
	3/8 NPTF	56	7 ... 232	PC container with PA protective guard semi-automatic, without pressure: open	1.72	R432000710
	3/8 NPTF	56	21 ... 232	PC container with PA protective guard fully automatic, without pressure: open	1.82	R432000711
	3/8 NPTF	56	0 ... 232	PC container with PA protective guard fully automatic, without pressure: closed	1.82	R432000712

Accessories (to be ordered separately)

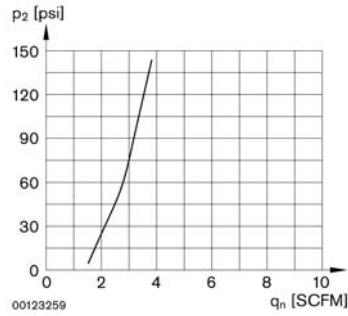
	Accessory	Part no.
	Spare parts kit: see filter pressure regulator valve AS2-FRE and normal mist lubricator AS2-LBS	
	Mounting plate AS2-MBR-...-W01	R412006368
	Mounting strap AS2-MBR-...-W03	R412006370
	Block assembly kit AS2-MBR-...-W04	R412006371
	Pneumatic oil, 1 liter	1829990046

Compr. air maintenance unit, series AS2-Inch

FRL Maintenance unit AS2-ACT, 3-in-1, 1/4 NPTF - 3/8 NPTF, ATEX approved

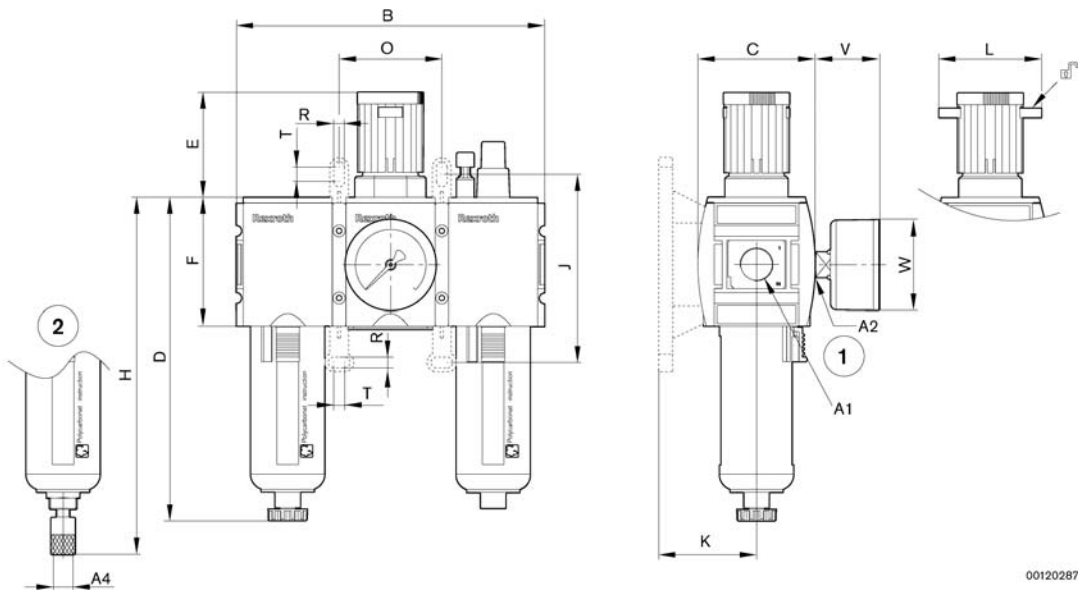
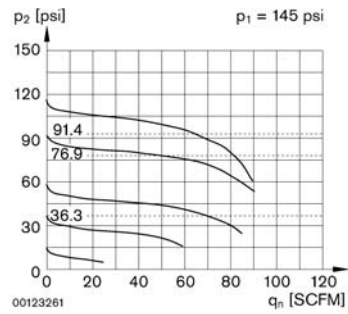


Lubrication activation margin



p_1 = Supply pressure; p_2 = Secondary pressure; q_n = Nominal flow

Flow rate characteristic (setting range p_2 : 0.5 to 8 bar) (7 to 145 psi)



00120287

- 1) Semi-automatic condensate drain
- 2) Fully automatic condensate drain

A1	A2	A4	B	C	D	E	F	H	I	J	K	L	O	R	T	V	W
1/4 NPTF	G 1/4	G 1/8	6.142	2.323	6.437	2.094	2.559	7.106	0.220	3.740	1.945	2.047	2.047	0.213	0.287	1.378	2
3/8 NPTF	G 1/4	G 1/8	6.142	2.323	6.437	2.094	2.559	7.106	0.220	3.740	1.945	2.047	2.047	0.213	0.287	1.378	2

Dimensions in inches

Compr. air maintenance unit, series AS2-Inch

Pressure regulator AS2-RGS, 1/4 NPTF - 3/8 NPTF, ATEX approved

Rexroth
Bosch Group



Technical Data

Type	Diaphragm-type pressure regulator with secondary air exhaust Regulator head, lockable	
Supply pressure	232 psi (max.)	
Secondary pressure	See table	
Nominal flow qn	See table	
Secondary pressure = 87 psi and $\Delta p = 15$ psi		
Temperature range	-10 °C to +50 °C (14 °F to +122 °F) *	
Medium	Compressed air	
Weight	See table	
Installation position	any	
Materials	Body Thread insert	PA MXD 6, seals Buna-N(NBR) Die-cast zinc
ATEX	In zone 1 (gas-ex, category 2G) In zone 21 (dust-ex, category 2D) In zone 2 (gas-ex, category 3G) In zone 22 (dust-ex, category 3D)	



* with dried air

Part no.

Symbol	Threaded ports	Nominal flow qn [SCFM]	Secondary pressure [psi]	Weight [lbs]	Part no. with pressure gauge
	1/4 NPTF	78	1 ... 14	0.71	R432000561
	1/4 NPTF	78	1 ... 29	0.71	R432000563
	1/4 NPTF	78	2 ... 58	0.71	R432000565
	1/4 NPTF	78	7 ... 116	0.71	R432000567
	1/4 NPTF	78	7 ... 145	0.71	R432000569
	1/4 NPTF	78	7 ... 232	0.71	R432000571
	3/8 NPTF	95	1 ... 14	0.71	R432000573
	3/8 NPTF	95	1 ... 29	0.71	R432000575
	3/8 NPTF	95	2 ... 58	0.71	R432000577
	3/8 NPTF	95	7 ... 116	0.71	R432000579
	3/8 NPTF	95	7 ... 145	0.71	R432000581
	3/8 NPTF	95	7 ... 232	0.71	R432000583

Part no.

Symbol	Threaded ports	Nominal flow qn [SCFM]	Secondary pressure [psi]	Weight [lbs]	Part no. without pressure gauge
	1/4 NPTF	78	1 ... 14	0.55	R432000560
	1/4 NPTF	78	1 ... 29	0.55	R432000562
	1/4 NPTF	78	2 ... 58	0.55	R432000564
	1/4 NPTF	78	7 ... 116	0.55	R432000566
	1/4 NPTF	78	7 ... 145	0.55	R432000568
	1/4 NPTF	78	7 ... 232	0.55	R432000570
	3/8 NPTF	95	1 ... 14	0.55	R432000572
	3/8 NPTF	95	1 ... 29	0.55	R432000574
	3/8 NPTF	95	2 ... 58	0.55	R432000576
	3/8 NPTF	95	7 ... 116	0.55	R432000578
	3/8 NPTF	95	7 ... 145	0.55	R432000580
	3/8 NPTF	95	7 ... 232	0.55	R432000582

Accessories (to be ordered separately)

	Accessory	Part no.
	Pressure regulator valve seal kit	R961400030
	Mounting plate AS2-MBR-...-W01 (incl. 2 bolts)	R412006368
	Mounting strap AS2-MBR-...-W03	R412006370
	Block assembly kit AS2-MBR-...-W04	R412006371
	Pressure gauge Ø 2 inch, G 1/4 *	R412004XXX

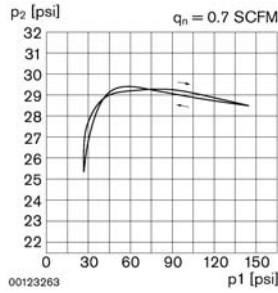
* see accessories

Compr. air maintenance unit, series AS2-Inch

Pressure regulator AS2-RGS, 1/4 NPTF - 3/8 NPTF, ATEX approved

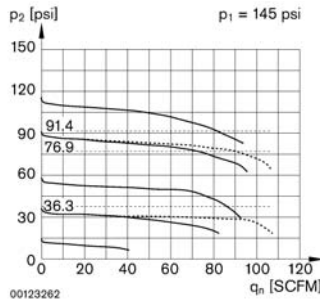


Pressure characteristics curve

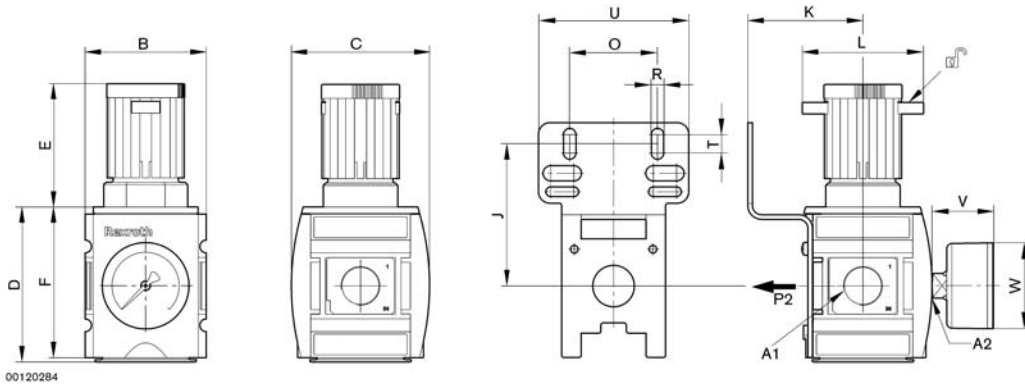


p_1 = Supply pressure; p_2 = Secondary pressure; q_n = Flow rate

Flow rate characteristic (setting range p_2 : 7 to 116 psi)



p_1 = Supply pressure; p_2 = Secondary pressure; q_n = Nominal flow



(mounting bracket not included, order separately)

A1	A2	B	C	D	E	F	J	K	L	O	R	T	U	V	W
1/4 NPTF	G 1/4	2.047	2.323	2.630	2.275	2.559	2.433	1.945	2.047	1.496	0.213	0.394	2.559	1.378	2
3/8 NPTF	G 1/4	2.047	2.323	2.630	2.275	2.559	2.433	1.945	2.047	1.496	0.213	0.394	2.559	1.378	2

Dimensions in inches

Compr. air maintenance unit, series AS2-Inch

Pressure regulator AS2-RGS-...-DS, with continuous pressure supply,
1/4 NPTF - 3/8 NPTF, ATEX approved

Rexroth
Bosch Group



Technical Data

Type	Diaphragm-type pressure regulator with secondary air exhaust Lockable regulator head	
Supply pressure	232 psi (max.)	
Secondary pressure	See table	
Nominal flow qn	See table	
Secondary pressure = 87 psi and Δp = 15 psi		
Temperature range	-10 °C to +50 °C (14 °F to +122 °F) *	
Medium	Compressed air	
Weight	See table	
Installation position	Any	

Materials	Body Thread insert Cover	PA MXD 6, seals Buna-N(NBR) Die-cast zinc ABS
-----------	--------------------------------	---

ATEX:	In zone 1 (gas-ex, category 2G) In zone 21 (dust-ex, category 2D) In zone 2 (gas-ex, category 3G) In zone 22 (dust-ex, category 3D)
-------	--

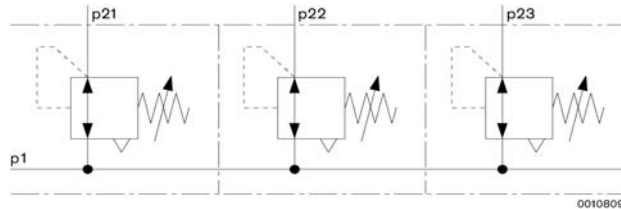
* with dried air

Possible to assemble multiple regulators providing continuous inlet pressure and individual regulated pressure outlets.

In the case of block assembly, only gauge with Ø ≤ 2 inch can be used



Example of application



Part no.

Symbol	Threaded ports	Nominal flow qn [SCFM]	Secondary pressure [psi]	Weight [lbs]	Part no. without pressure gauge
	1/4 NPTF	78	1 ... 14	0.55	R432000584
	1/4 NPTF	78	1 ... 29	0.55	R432000585
	1/4 NPTF	78	2 ... 58	0.55	R432000586
	1/4 NPTF	78	7 ... 116	0.55	R432000587
	1/4 NPTF	78	7 ... 145	0.55	R432000588
	1/4 NPTF	78	7 ... 232	0.55	R432000589
	3/8 NPTF	95	1 ... 14	0.55	R432000590
	3/8 NPTF	95	1 ... 29	0.55	R432000591
	3/8 NPTF	95	2 ... 58	0.55	R432000592
	3/8 NPTF	95	7 ... 116	0.55	R430000593
	3/8 NPTF	95	7 ... 145	0.55	R432000594
	3/8 NPTF	95	7 ... 232	0.55	R432000595

Accessories (to be ordered separately)

Accessory	Part no.
Pressure regulator valve seal kit	R961400030
Mounting plate AS2-MBR-...-W01 (incl. 2 bolts)	R412006368
Mounting strap AS2-MBR-...-W03	R412006370
Block assembly kit AS2-MBR-...-W04	R412006371
Pressure gauge Ø 2 inch, G 1/4 *	R412004XXX

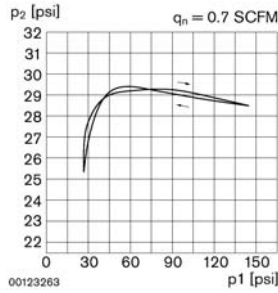
* see accessories

Compr. air maintenance unit, series AS2-Inch

Pressure regulator AS2-RGS-...-DS, with continuous pressure supply,
1/4 NPTF - 3/8 NPTF, ATEX approved

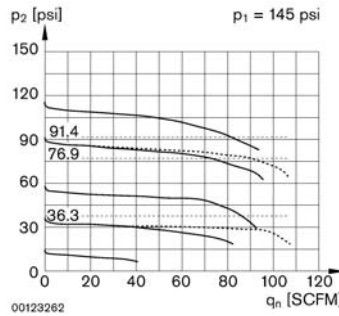


Pressure characteristics curve

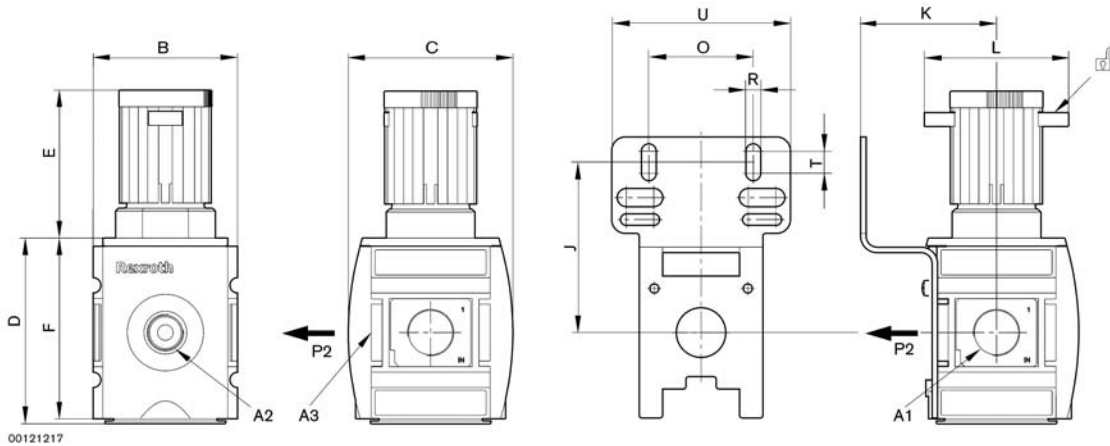


p_1 = Supply pressure; p_2 = Secondary pressure; q_n = Flow rate

Flow rate characteristic (setting range p_2 : 7 to 145 psi)



p_1 = Supply pressure; p_2 = Secondary pressure; q_n = Flow rate



(mounting bracket not included, order separately)

p_2 = Secondary pressure

A1	A2	A3	B	C	D	E	F	J	K	L	O	R	T	U
1/4 NPTF	G 1/4	1/4 NPTF	2.047	2.323	2.630	2.275	2.559	2.433	1.945	2.047	1.496	0.213	0.394	2.559
3/8 NPTF	G 1/4	3/8 NPTF	2.047	2.323	2.630	2.275	2.559	2.433	1.945	2.047	1.496	0.213	0.394	2.559

Dimensions in inches

Compr. air maintenance unit, series AS2-Inch

Precision pressure regulator AS2-RGP, 1/4 NPTF - 3/8 NPTF,
ATEX approved

Rexroth
Bosch Group



Technical Data

Type	Diaphragm-type pressure regulator with secondary air exhaust Lockable regulator head	
Supply pressure	232 psi (max.)	
Secondary pressure	See table	
Nominal flow qn	See table	
Secondary pressure = 87 psi and $\Delta p = 15$ psi		
Temperature range	-10 °C to +50 °C (14 °F to +122 °F) *	
Medium	Compressed air	
Weight	See table	
Installation position	Any	

Materials	Body	PA MXD 6, seals Buna-N(NBR)
	Thread insert	Die-cast zinc
	Cover	ABS

ATEX:	In zone 1 (gas-ex, category 2G)
	In zone 21 (dust-ex, category 2D)
	In zone 2 (gas-ex, category 3G)
	In zone 22 (dust-ex, category 3D)

* with dried air
Continuous air consumption qnverl. = 0.09 SCFM, depends on secondary pressure p2 = 87 psi



Part no.

Symbol	Threaded ports	Nominal flow qn [SCFM]	Secondary pressure [psi]	Weight [lbs]	Part no. with pressure gauge
	1/4 NPTF	78	1 ... 14	0.71	R432000597
	1/4 NPTF	78	1 ... 29	0.71	R432000599
	1/4 NPTF	78	2 ... 58	0.71	R432000601
	1/4 NPTF	78	7 ... 116	0.71	R432000603
	1/4 NPTF	78	7 ... 145	0.71	R432000605
	3/8 NPTF	95	1 ... 14	0.71	R432000607
	3/8 NPTF	95	1 ... 29	0.71	R432000609
	3/8 NPTF	95	2 ... 58	0.71	R432000611
	3/8 NPTF	95	7 ... 116	0.71	R432000613
	3/8 NPTF	95	7 ... 145	0.71	R432000615

Part no.

Symbol	Threaded ports	Nominal flow qn [SCFM]	Secondary pressure [psi]	Weight [lbs]	Part no. without pressure gauge
	1/4 NPTF	78	1 ... 14	0.55	R432000596
	1/4 NPTF	78	1 ... 29	0.55	R432000598
	1/4 NPTF	78	2 ... 58	0.55	R432000600
	1/4 NPTF	78	7 ... 116	0.55	R432000602
	1/4 NPTF	78	7 ... 145	0.55	R432000604
	3/8 NPTF	95	1 ... 14	0.55	R432000606
	3/8 NPTF	95	1 ... 29	0.55	R432000608
	3/8 NPTF	95	2 ... 58	0.55	R432000610
	3/8 NPTF	95	7 ... 116	0.55	R432000612
	3/8 NPTF	95	7 ... 145	0.55	R432000614

Accessories (to be ordered separately)

	Accessory	Part no.
	Pressure regulator valve seal kit	R961400031
	Mounting plate AS2-MBR-...-W01	R412006368
	Mounting strap AS2-MBR-...-W03	R412006370
	Block assembly kit AS2-MBR-...-W04	R412006371
	Pressure gauge Ø 2 inch, G 1/4 *	R412004XXX

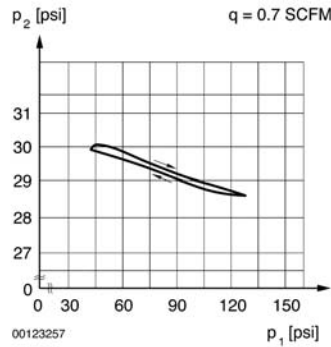
* see accessories

Compr. air maintenance unit, series AS2-Inch

Precision pressure regulator AS2-RGP, 1/4 NPTF - 3/8 NPTF, ATEX approved

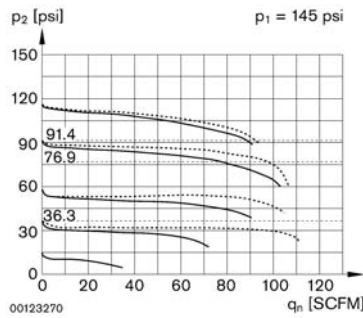


Pressure characteristics curve

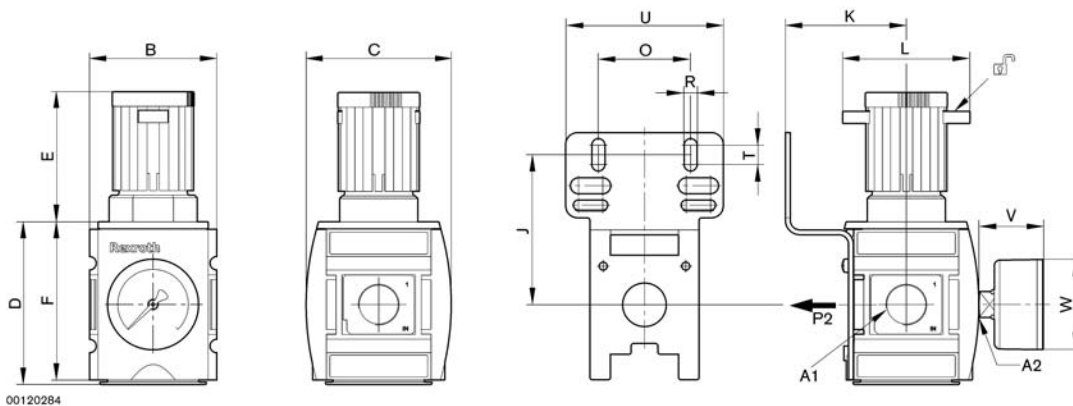


p_1 = Supply pressure; p_2 = Secondary pressure; q_n = Flow rate

Flow rate characteristic (setting range p_2 : 7 to 116 psi)



p_1 = Supply pressure; p_2 = Secondary pressure; q_n = Nominal flow



(mounting bracket not included, order separately)

A1	A2	B	C	D	E	F	J	K	L	O	R	T	U	V	W
1/4 NPTF	G 1/4	2.047	2.323	2.630	2.094	2.559	2.433	1.945	2.047	1.496	0.213	0.394	2.559	1.378	2
3/8 NPTF	G 1/4	2.047	2.323	2.630	2.094	2.559	2.433	1.945	2.047	1.496	0.213	0.394	2.559	1.378	2

Dimensions in inches

Compr. air maintenance unit, series AS2-Inch

Precision pressure regulator AS2-RGP-...-DS, with continuous pressure supply, 1/4 NPTF - 3/8 NPTF, ATEX approved

Rexroth
Bosch Group



Technical Data

Type	Diaphragm-type pressure regulator with secondary air exhaust Lockable regulator head	
Supply pressure	232 psi (max.)	
Secondary pressure	See table	
Nominal flow qn	See table	
Secondary pressure = 87 psi and $\Delta p = 15$ psi		
Temperature range	-10 °C to +50 °C (14 °F to +122 °F) *	
Medium	Compressed air	
Weight	See table	
Installation position	Any	
Materials	Body Thread insert Cover	PA MXD 6, seals Buna-N(NBR) Die-cast zinc ABS
ATEX:	In zone 1 (gas-ex, category 2G) In zone 21 (dust-ex, category 2D) In zone 2 (gas-ex, category 3G) In zone 22 (dust-ex, category 3D)	



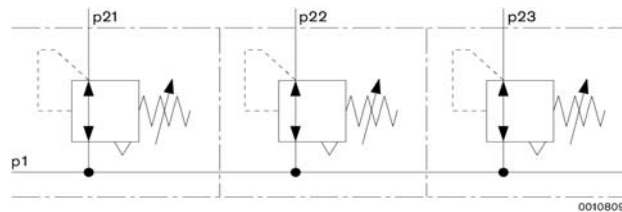
* with dried air

Continuous air consumption = 0.09 SCFM, depends on secondary pressure $p_{i2} = 87$ psi

Possible to assemble multiple regulators providing continuous inlet pressure and individual regulated pressure outlets.

In the case of block assembly, only gauge with $\varnothing \leq 2$ inch can be used

Example of application



Part no.

Symbol	Threaded ports	Nominal flow qn [SCFM]	Secondary pressure [psi]	Weight [lbs]	Part no. without pressure gauge
	1/4 NPTF	78	1 ... 14	0.55	R432000616
	1/4 NPTF	78	1 ... 29	0.55	R432000617
	1/4 NPTF	78	2 ... 58	0.55	R432000618
	1/4 NPTF	78	7 ... 116	0.55	R432000619
	1/4 NPTF	78	7 ... 145	0.55	R432000620
	3/8 NPTF	95	1 ... 14	0.55	R432000621
	3/8 NPTF	95	1 ... 29	0.55	R432000622
	3/8 NPTF	95	2 ... 58	0.55	R432000623
	3/8 NPTF	95	7 ... 116	0.55	R432000624
	3/8 NPTF	95	7 ... 145	0.55	R432000625

Accessories (to be ordered separately)

Accessory	Part no.	
	Pressure regulator valve seal kit	R961400031
	Mounting plate AS2-MBR-...-W01	R412006368
	Mounting strap AS2-MBR-...-W03	R412006370
	Block assembly kit AS2-MBR-...-W04	R412006371
	Pressure gauge $\varnothing 2$ inch, G 1/4 *	R412004XXX

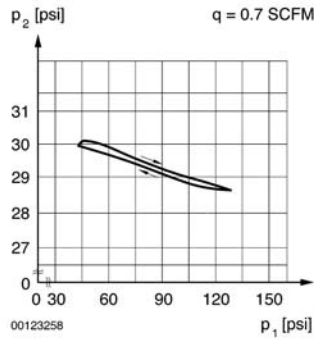
* see accessories

Compr. air maintenance unit, series AS2-Inch

Precision pressure regulator AS2-RGP-...-DS, with continuous pressure supply, 1/4 NPTF - 3/8 NPTF, ATEX approved

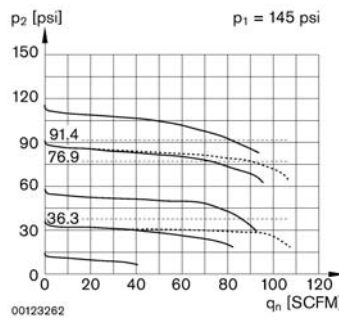


Pressure characteristics curve

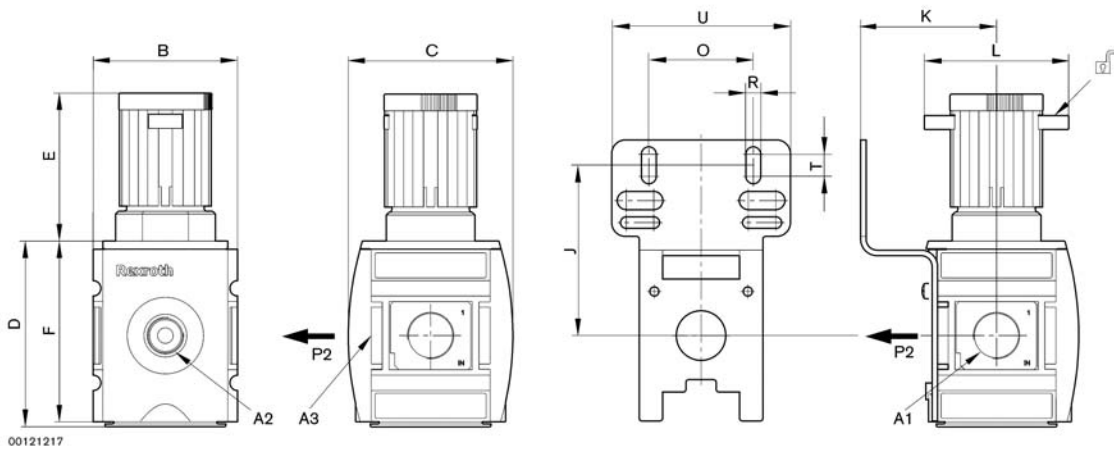


p_1 = Supply pressure; p_2 = Secondary pressure; q_n = Flow rate

Flow rate characteristic (setting range p_2 : 7 to 116 psi)



p_1 = Supply pressure; p_2 = Secondary pressure; q_n = Nominal flow



(mounting bracket not included, order separately)

p_2 = Secondary pressure

A1	A2	A3	B	C	D	E	F	J	K	L	O	R	T	U
1/4 NPTF	G 1/4	1/4 NPTF	2.047	2.323	2.630	2.094	2.559	2.433	1.945	2.047	1.496	0.213	0.394	2.559
3/8 NPTF	G 1/4	3/8 NPTF	2.047	2.323	2.630	2.094	2.559	2.433	1.945	2.047	1.496	0.213	0.394	2.559

Dimensions in inches

Compr. air maintenance unit, series AS2-Inch

Filter regulator AS2-FRE, 1/4 NPTF - 3/8 NPTF, ATEX approved

Rexroth
Bosch Group



Technical Data

Type	Filter Pressure regulator	Filter insert exchangeable Diaphragm-type pressure regulator with secondary air exhaust Lockable regulator head
Supply pressure	Condensate drain	semi-automatic: 7 - 232 psi fully automatic : 21 - 232 psi
Secondary pressure		See table
Nominal flow qn		See table
Secondary pressure = 91 psi and Δp = 15 psi		
Ambient temperature		-10 °C to +50 °C (14 °F to +122 °F) *
Medium		Compressed air
Weight		See table
Installation position		Vertical
Materials	Body Thread insert Reservoir Bowl guard Cover Filter element	PA MXD 6, seals Buna-N(NBR) Die-cast zinc Polycarbonate with bayonet catch PA ABS Cellpor (Polyethylene)
Reservoir capacity		28 cm ³ (0.95 U.S. Fl. oz.) (with semi automatic)
Filter porosity		5 μm
ATEX:	In zone 1 (gas-ex, category 2G) In zone 21 (dust-ex, category 2D) In zone 2 (gas-ex, category 3G) In zone 22 (dust-ex, category 3D)	



* with dried air

Filter for separating solid impurities up to 5 μm from compressed air and gases

For quality classes according to DIN ISO 8573-1

- Solid impurities: class 3

- Humidity - water content: class 8

Plastic containers may only be cleaned with water, soap suds, and other similar, neutral agents.

Part no.

Symbol	Threaded ports	Nominal flow qn [SCFM]	Secondary pressure [psi]	Options	Weight [lbs]	Part no. with pressure gauge
	1/4 NPTF	71	116	PC container with PA protective guard semi-automatic, w/out pressure: open	0.87	R432000638
	1/4 NPTF	71	116	PC container with PA protective guard fully automatic, w/out pressure: open	0.96	R432000639
	1/4 NPTF	71	116	PC container with PA protective guard fully automatic, w/out pressure: closed	0.96	R432000640
	3/8 NPTF	92	116	PC container with PA protective guard semi-automatic, w/out pressure: open	0.96	R432000644
	3/8 NPTF	92	116	PC container with PA protective guard fully automatic, w/out pressure: open	0.96	R432000645
	3/8 NPTF	92	116	PC container with PA protective guard fully automatic, w/out pressure: closed	0.96	R432000646

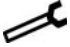
Part no.

Symbol	Threaded ports	Nominal flow qn [SCFM]	Secondary pressure [psi]	Options	Weight [lbs]	Part no. without pressure gauge
	1/4 NPTF	71	116	PC container with PA protective guard semi-automatic, w/out pressure: open	0.67	R432000626
	1/4 NPTF	71	116	PC container with PA protective guard fully automatic, w/out pressure: open	0.77	R432000627
	1/4 NPTF	71	116	PC container with PA protective guard fully automatic, w/out pressure: closed	0.77	R432000628
	3/8 NPTF	92	116	PC container with PA protective guard semi-automatic, w/out pressure: open	0.77	R432000632
	3/8 NPTF	92	116	PC container with PA protective guard fully automatic, w/out pressure: open	0.77	R432000633
	3/8 NPTF	92	116	PC container with PA protective guard fully automatic, w/out pressure: closed	0.77	R432000634

Compr. air maintenance unit, series AS2-Inch

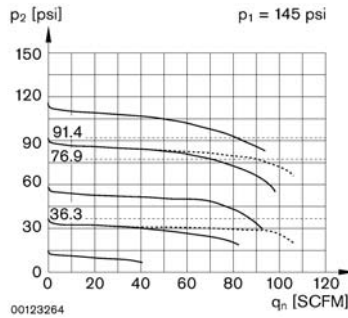
Filter regulator AS2-FRE, 1/4 NPTF - 3/8 NPTF, ATEX approved

▲ Accessories (to be ordered separately)

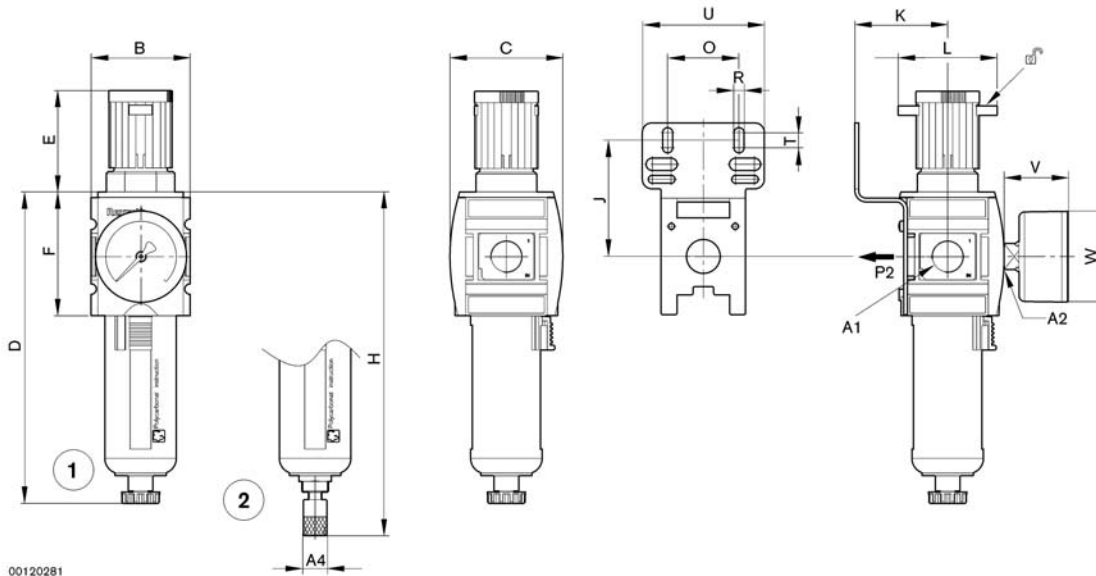
	Accessory	Part no.
	Filter reservoir AS2-CLS *	R4120063XX
	Filter insert, 5 µm	1829207061
	Pressure regulator valve seal kit	R961400030
	Compression spring	R461400036
	Mounting plate AS2-MBR-...-W01	R412006368
	Mounting strap AS2-MBR-...-W03	R412006370
	Block assembly kit AS2-MBR-...-W04	R412006371

* see accessories

Pressure characteristics curve



p_1 = Supply pressure; p_2 = Secondary pressure; q_n = Nominal flow



(mounting bracket not included, order separately)

- 1) Semi-automatic condensate drain
- 2) Fully automatic condensate drain

A1	A2	A4	B	C	D	E	F	H	J	K	L	O	R	T	U	V	W
1/4 NPTF	G 1/4	G 1/8	2.047	2.323	6.437	2.094	2.559	7.106	2.433	1.945	2.047	1.496	0.213	0.394	2.559	1.378	2
3/8 NPTF	G 1/4	G 1/8	2.047	2.323	6.437	2.094	7.106	2.559	2.433	1.945	2.047	1.496	0.213	0.394	2.559	1.378	2

Dimensions in inches

Compr. air maintenance unit, series AS2-Inch

Standard filter AS2-FLS, 1/4 NPTF - 3/8 NPTF, ATEX approved

Rexroth
Bosch Group



Technical Data

Type	Filter insert exchangeable	
Supply pressure	See table	
Ambient temperature	-10 °C to +50 °C (14 °F to +122 °F) *	
Medium	Compressed air	
Weight	See table	
Installation position	vertical	
Materials	Body Thread insert Reservoir Bowl guard Cover Filter element	PA MXD 6, seals Buna-N(NBR) Die-cast zinc Polycarbonate with bayonet catch PA ABS Cellpor (Polyethylene)
Reservoir capacity	28 cm ³ (0.95 U.S. Fl. oz.)	
Filter porosity	5 µm	
ATEX:	In zone 1 (gas-ex, category 2G) In zone 21 (dust-ex, category 2D) In zone 2 (gas-ex, category 3G) In zone 22 (dust-ex, category 3D)	



* with dried air

Filter for separating solid impurities up to 5 µm from compressed air and gases

For quality classes according to DIN ISO 8573-1

- Solid impurities: class 3

- Humidity - water content: class 8

Optionally with a semi or fully automatic condensate drain

Condensate drain opened without pressure or closed without pressure.

Plastic containers may only be cleaned with water, soap suds, and other similar, neutral agents.

Part no.

Symbol	Threaded ports	Nominal flow qn [SCFM]	Supply pressure [psi]	Options	Weight [lbs]	Part no.
	1/4 NPTF	78	7 ... 232	PC container with PA protective guard semi-automatic, w/out pressure: open	0.47	R432000500
	1/4 NPTF	78	21 ... 232	PC container with PA protective guard fully automatic, w/out pressure: open	0.56	R432000501
	1/4 NPTF	78	0 ... 232	PC container with PA protective guard fully automatic, w/out pressure: closed	0.56	R432000502
	3/8 NPTF	85	7 ... 232	PC container with PA protective guard semi-automatic, w/out pressure: open	0.47	R432000506
	3/8 NPTF	85	21 ... 232	PC container with PA protective guard fully automatic, w/out pressure: open	0.56	R432000507
	3/8 NPTF	85	0 ... 232	PC container with PA protective guard fully automatic, w/out pressure: closed	0.56	R432000508

Accessories (to be ordered separately)

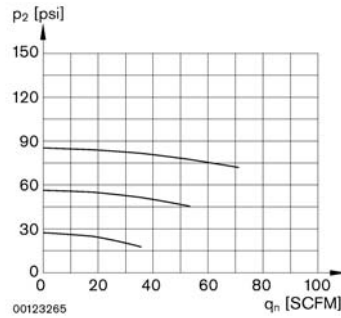
	Accessory	Part no.
	Filter reservoir AS2-CLS *	R4120063XX
	Filter insert, 5 µm	1829207061
	Mounting plate AS2-MBR-...-W01	R412006368
	Mounting strap AS2-MBR-...-W03	R412006370
	Block assembly kit AS2-MBR-...-W04	R412006371

* see accessories

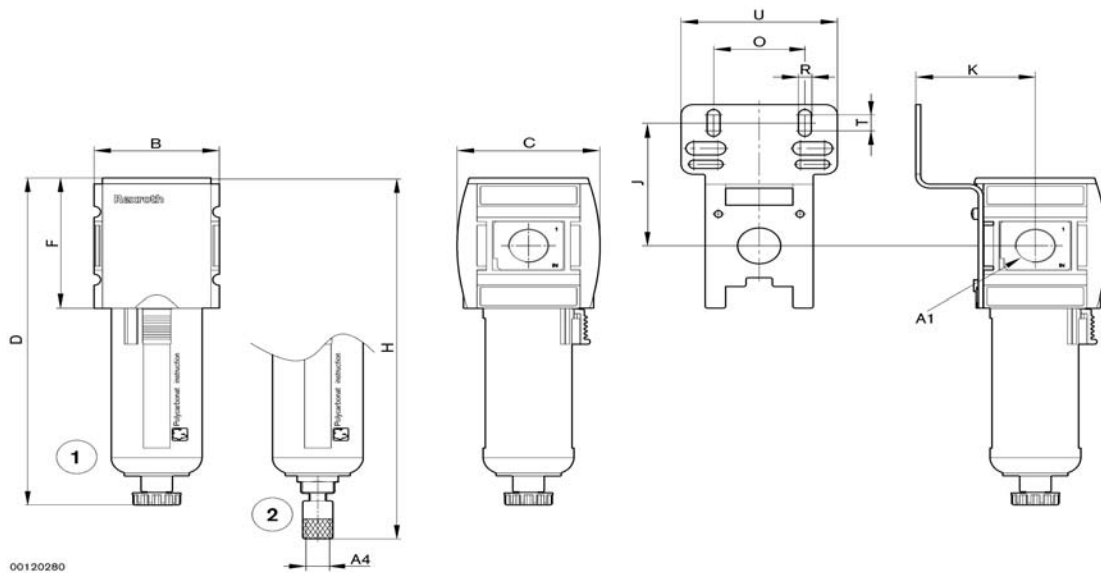
Compr. air maintenance unit, series AS2-Inch

Standard filter AS2-FLS, 1/4 NPTF - 3/8 NPTF, ATEX approved

Flow rate characteristic



p_1 = Supply pressure; p_2 = Secondary pressure; q_n = Nominal flow



(mounting bracket not included, order separately)

- 1) Semi-automatic condensate drain
- 2) Fully automatic condensate drain

A1	A4	B	C	D	F	H	J	K	O	R	T	U
1/4 NPTF	G 1/8	2.047	2.323	6.437	2.559	7.106	2.433	1.945	1.496	0.213	0.394	2.559
3/8 NPTF	G 1/8	2.047	2.323	6.437	2.559	7.106	2.433	1.945	1.496	0.213	0.394	2.559

Dimensions in inches

Compr. air maintenance unit, series AS2-Inch

Pre-filter AS2-FLP, 1/4 NPTF - 3/8 NPTF, ATEX approved

Rexroth
Bosch Group



Technical Data

Type	Pre-filter insert exchangeable	
Supply pressure	See table	
Temperature range	-10 °C to +50 °C (14 °F to +122 °F) *	
Medium	Compressed air	
Weight	See table	
Installation position	vertical	
Materials	Body Thread insert Reservoir Bowl guard Cover Filter element	PA MXD 6, seals Buna-N(NBR) Die-cast zinc Polycarbonate with bayonet catch PA ABS Impregnated paper
Reservoir capacity	12 cm ³ (0.4 U.S. Fl. oz.) (with semi-automatic)	
Filter porosity	0.3 μm	
ATEX:	In zone 1 (gas-ex, category 2G) In zone 21 (dust-ex, category 2D) In zone 2 (gas-ex, category 3G) In zone 22 (dust-ex, category 3D)	



* with dried air

Pre-filter for separating solid impurities up to 0.3 μm from compressed air and gases
The filter element should be exchanged if there is an increase of Δp by max. 5 psi or once a year.
Dust separation = 99.99 %
For quality classes according to DIN ISO 8573-1
- Solid impurities: class 2
- Humidity - water content: class 8
Plastic containers may only be cleaned with water, soap suds, and other similar, neutral agents.

Part no.

Symbol	Threaded ports	Nominal flow qn [SCFM] 1) 2)	Supply pressure [psi]	Options	Weight [lbs]	Part no.
	1/4 NPTF	9	7 ... 232	PC container with PA protective guard semi-automatic, w/out pressure: open	0.49	R432000512
	1/4 NPTF	9	21 ... 232	PC container with PA protective guard fully automatic, w/out pressure: open	0.58	R432000513
	1/4 NPTF	9	0 ... 232	PC container with PA protective guard fully automatic, w/out pressure: closed	0.58	R432000514
	3/8 NPTF	9	7 ... 232	PC container with PA protective guard semi-automatic, w/out pressure: open	0.58	R432000518
	3/8 NPTF	9	21 ... 232	PC container with PA protective guard fully automatic, w/out pressure: open	0.58	R432000519
	3/8 NPTF	9	0 ... 232	PC container with PA protective guard fully automatic, w/out pressure: closed	0.58	R432000520

1) At p1 = 101 psi

2) Δp = 0.29 psi

Q = qn x f (f = Correction factor for various supply pressures p1)

p1 [psi]	14	29	43	58	72	87	101	116	130	145	159	174	188	203	217	232
f	0.25	0.38	0.5	0.65	0.75	0.88	1	1.13	1.25	1.38	1.5	1.63	1.75	1.88	2	2.13

Accessories (to be ordered separately)

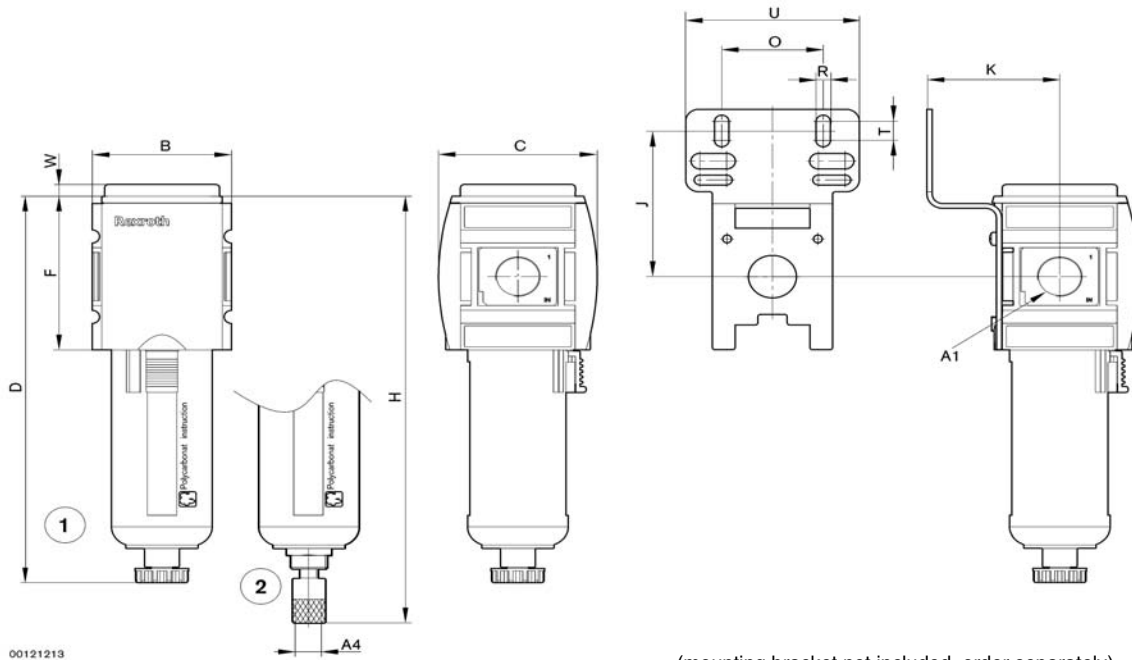
Accessory	Part no.	
	Pre-filter reservoir AS2-CLS *	R412006XXX
	Filter element for automatic operation	1829207047
	Filter element for semi-automatic operation	R9611400025
	Mounting plate AS2-MBR-...-W01	R412006368
	Mounting strap AS2-MBR-...-W03	R412006370
	Block assembly kit AS2-MBR-...-W04	R412006371

* see accessories

Compr. air maintenance unit, series AS2-Inch

Pre-filter AS2-FLP, 1/4 NPTF - 3/8 NPTF, ATEX approved

Rexroth
Bosch Group



(mounting bracket not included, order separately)

- 1) Semi-automatic condensate drain
- 2) Fully automatic condensate drain

A1	A4	B	C	D	F	H	J	K	O	R	T	U	W
1/4 NPTF	G 1/8	2.047	2.323	6.437	2.559	7.106	2.433	1.945	1.496	0.213	0.394	2.559	0.197
3/8 NPTF	G 1/8	2.047	2.323	6.437	2.559	7.106	2.433	1.945	1.496	0.213	0.394	2.559	0.197

Dimensions in inches

Compr. air maintenance unit, series AS2-Inch

Coalescing filter AS2-FLC, 1/4 NPTF - 3/8 NPTF, ATEX approved



Technical Data

Type	Micro-filter insert exchangeable	
Supply pressure	See table	
Temperature range	-10 °C to +50 °C (14 °F to +122 °F) *	
Medium	Compressed air	
Weight	See table	
Installation position	vertical	
Materials	Body Thread insert Reservoir Bowl guard Cover Filter element	PA MXD 6, seals Buna-N(NBR) Die-cast zinc Polycarbonate with bayonet catch PA ABS Borsilicate glass fibre
Reservoir capacity	12 cm ³ (0.4 U.S. Fl. Oz.)	
Filter porosity	0.01 µm	
ATEX:	In zone 1 (gas-ex, category 2G) In zone 21 (dust-ex, category 2D) In zone 2 (gas-ex, category 3G) In zone 22 (dust-ex, category 3D)	
Standard	NFE 49004	



* with dried air
Working pressure max. 15 – 145 psi
Micro filter for the separation of oil, water and solid impurities of up to 0.01 µm from compressed air and gases
For quality classes according to DIN ISO 8573-1
- Solid impurities: class 1
- Oil content: class 1
The filter element must be replaced after a pressure rise Δp of max. 5 psi or once a year.
Filter is resistant to mineral oils and synthetic oils
Oil separation, residual oil content < 0.01 mg/m³ at t = 68 °F (+20 °C) and p1 = 101 psi
Plastic containers may only be cleaned with water, soap suds, and other similar, neutral agents.

Part no.

Symbol	Threaded ports	Nominal flow qn [SCFM] 1) 2)	Supply pressure [psi]	Options	Weight [lbs]	Part no.
	1/4 NPTF	10	7 ... 232	PC container with PA protective guard without contamination display semi-automatic, without pressure: open	0.49	R432000524
	1/4 NPTF	10	21 ... 232	PC container with PA protective guard without contamination display fully automatic, without pressure: open	0.58	R432000525
	1/4 NPTF	10	0 ... 232	PC container with PA protective guard without contamination display fully automatic, without pressure: closed	0.58	R432000526
	3/8 NPTF	10	7 ... 232	PC container with PA protective guard without contamination display semi-automatic, without pressure: open	0.49	R432000530
	3/8 NPTF	10	21 ... 232	PC container with PA protective guard without contamination display fully automatic, without pressure: open	0.58	R432000531
	3/8 NPTF	10	0 ... 232	PC container with PA protective guard without contamination display fully automatic, without pressure: closed	0.58	R432000532

1) At p1 = 101 psi
2) $\Delta p = 1.3$ psi

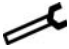
Q = qn x f (f = Correction factor for various supply pressures p1)																
p1 [psi]	14	29	43	58	72	87	101	116	130	145	159	174	188	203	217	232
f	0.25	0.38	0.5	0.65	0.75	0.88	1	1.13	1.25	1.38	1.5	1.63	1.75	1.88	2	2.13

Flush mounted cylinder switches

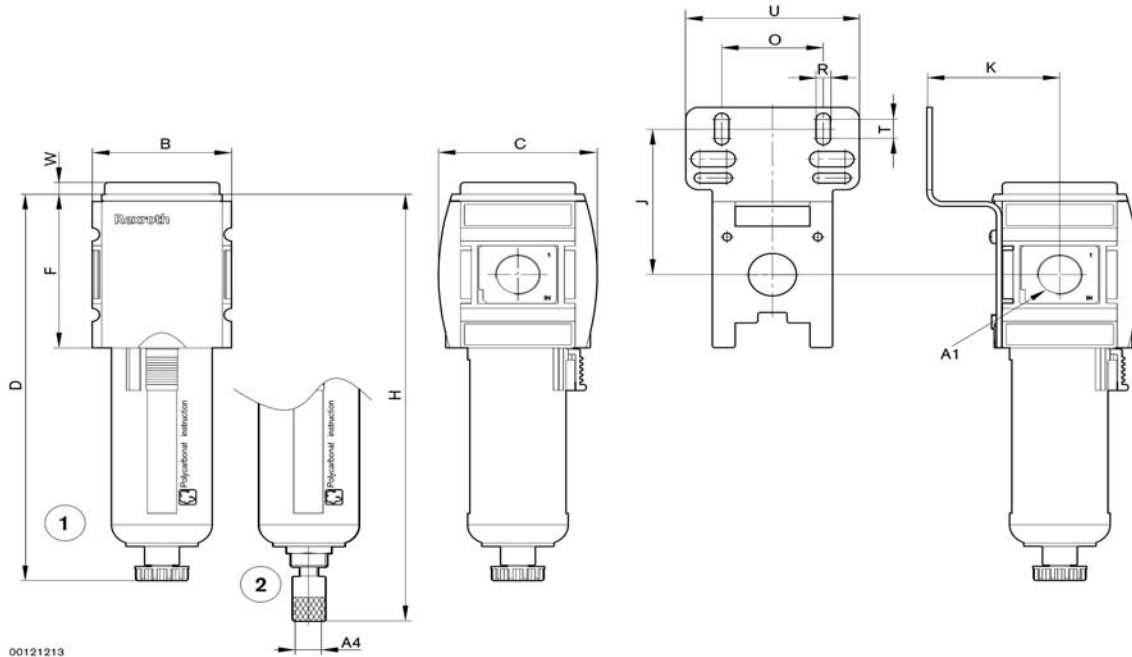
Compr. air maintenance unit, series AS2-Inch

Coalescing filter AS2-FLC, 1/4 NPTF - 3/8 NPTF, ATEX approved

▲ Accessories (to be ordered separately)

	Accessory	Part no.
	Microfilter reservoir AS2-CLS *	R412006XXX
	Filter element for fully automatic operation	R9611400026
	Filter element for semi-automatic operation	R9611400027
	Mounting plate AS2-MBR-...-W01	R412006368
	Mounting strap AS2-MBR-...-W03	R412006370
	Block assembly kit AS2-MBR-...-W04	R412006371

* see accessories



- 1) Semi-automatic condensate drain
- 2) Fully automatic condensate drain

A1	A4	B	C	D	F	H	J	K	O	R	T	U	W
1/4 NPTF	G 1/8	2.047	2.323	6.437	2.559	7.106	2.433	1.945	1.496	0.213	0.394	2.559	0.197
3/8 NPTF	G 1/8	2.047	2.323	6.437	2.559	7.106	2.433	1.945	1.496	0.213	0.394	2.559	0.197

Dimensions in inches

Compr. air maintenance unit, series AS2-Inch

Active carbon filter AS2-FLA, 1/4 NPTF - 3/8 NPTF, ATEX approved

Rexroth
Bosch Group



Technical Data

Type	Filter insert exchangeable	
Supply pressure	See table	
Temperature range	-10 °C to +50 °C (14 °F to +122 °F) *	
Medium	Compressed air	
Weight	See table	
Installation position	vertical	
Materials	Body Thread insert Reservoir Bowl guard Filter element Cover	PA MXD 6, seals Buna-N(NBR) Die-cast zinc Polycarbonate with bayonet catch PA Active carbon ABS
Reservoir capacity	12 cm ³ (0.4 U.S. Fl. Oz.)	
ATEX:	In zone 1 (gas-ex, category 2G) In zone 21 (dust-ex, category 2D) In zone 2 (gas-ex, category 3G) In zone 22 (dust-ex, category 3D)	



* with dried air

Active carbon filter for absorption of oil vapor in compressed air and gases

For quality classes according to DIN ISO 8573-1

- Solid impurities: class 3

- Humidity - water content: class 8

- Oil content: class 1

Oil separation, residual oil content < 0.005 mg/m³ at t = 68 °F (+20 °C) and p₁ = 101 psi

A micro filter must be connected upstream as a prefilter

Part no.

Symbol	Threaded ports	Nominal flow q _n [SCFM] 1) 2)	Supply pressure [psi]	Weight [lbs]	Part no.
	1/4 NPTF	18	0 ... 232	0.49	R432000548
	3/8 NPTF	18	0 ... 232	0.49	R432000550

1) At p₁ = 101,5 psi

2) Δp = 2,9 psi

Q = q_n x f (f = Correction factor for various supply pressures p₁)

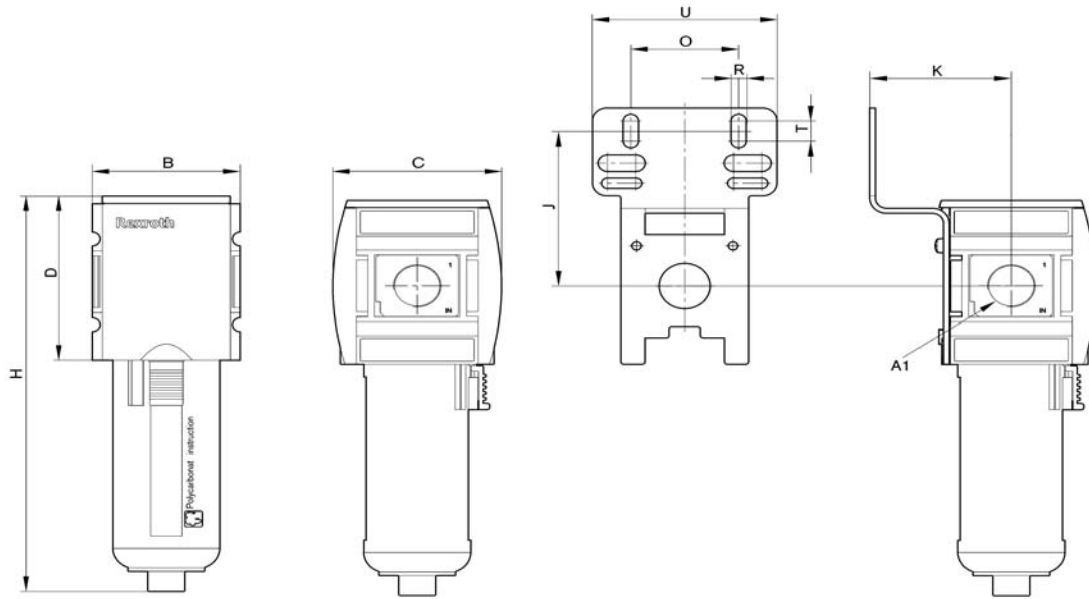
p ₁ [psi]	14	29	43	58	72	87	101	116	130	145	159	174	188	203	217	232
f	0.25	0.38	0.5	0.65	0.75	0.88	1	1.13	1.25	1.38	1.5	1.65	1.75	1.88	2	2.13

Accessories (to be ordered separately)

	Accessory	Part no.
	Active carbon filter reservoir AS2-CLA	R412006347
	Active carbon filter insert, q _n = 13 SCFM	1829207044
	Mounting plate AS2-MBR-...-W01	R412006368
	Mounting strap AS2-MBR-...-W03	R412006370
	Block assembly kit AS2-MBR-...-W04	R412006371

Compr. air maintenance unit, series AS2-Inch

Active carbon filter AS2-FLA, 1/4 NPTF - 3/8 NPTF, ATEX approved



00121210

(mounting bracket not included, order separately)

A1	B	C	D	H	J	K	O	R	T	U
1/4 NPTF	2.047	2.323	2.559	6.181	2.433	1.949	1.496	0.213	0.394	2.559
3/8 NPTF	2.047	2.323	2.559	6.181	2.433	1.949	1.496	0.213	0.394	2.559

Dimensions in inches

Compr. air maintenance unit, series AS2-Inch

Normal mist lubricator AS2-LBS, with automatic oil filling, 1/4 NPTF - 3/8 NPTF, ATEX approved



Technical Data

Type	Inspection glass with slotted screw for oil metering Can be filled with oil during operation	
Supply pressure	See table	
Temperature range	-10 °C to +50 °C (14 °F to +122 °F) *	
Medium	Compressed air	
Weight	See table	
Installation position	vertical	
Materials	Body Thread insert Reservoir Bowl guard Seal	PA MXD 6, seals Buna-N(NBR) Die-cast zinc Polycarbonate with bayonet catch PA ABS
Reservoir capacity	40 cm ³ (1.69 U.S. Fl. Oz.)	
ATEX:	In zone 1 (gas-ex, category 2G) In zone 21 (dust-ex, category 2D) In zone 2 (gas-ex, category 3G) In zone 22 (dust-ex, category 3D)	



* with dried air

Oil type: HL 68 (DIN 51 524 - ISO VG 68)

Standard values for oil metering: 1-2 drops / min at a nominal flow rate of $q_n = 35$ SCFM

Plastic containers may only be cleaned with water, soap suds, and other similar, neutral agents.

The unit is equipped with an automatic oil filling (standard). A threaded connector is located in the lower section of the container that can be used to connect a hose to the oil tank.

Pressing the oil top-up button opens a Venturi nozzle that provides a vacuum in the upper section of the container. This draws the oil into the container.

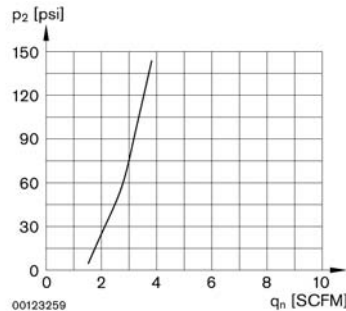
Part no.

Symbol	Threaded ports	Nominal flow q_n [SCFM]	Supply pressure [psi]	Options	Weight [lbs]	Part no.
	1/4 NPTF	99	7 ... 232	PC container with PA protective guard	0.5	R432000650
	3/8 NPTF	109	7 ... 232	PC container with PA protective guard	0.5	R432000654

Accessories (to be ordered separately)

	Accessory	Part no.
	Normal-mist lubricator reservoir AS2-CBS	R412006352
	Lubricator metering set, polycarbonate	R961400032
	Pneumatic oil, 1 litre	1829990046
	Mounting plate AS2-MBR-...-W01	R412006368
	Mounting strap AS2-MBR-...-W03	R412006370
	Block assembly kit AS2-MBR-...-W04	R412006371

Lubrication activation margin

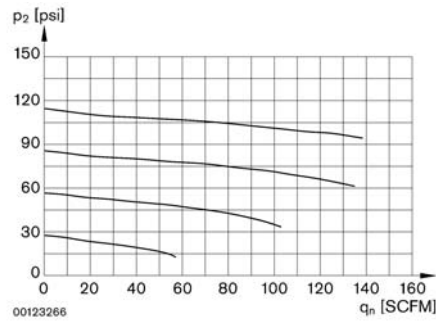


p_2 = Secondary pressure; q_n = nominal flow

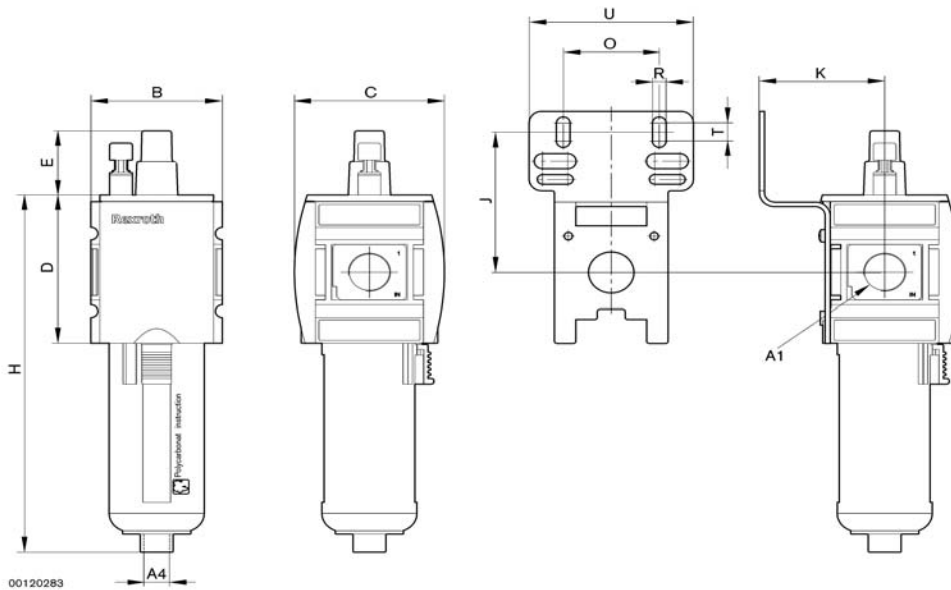
Compr. air maintenance unit, series AS2-Inch

Normal mist lubricator AS2-LBS, with automatic oil filling, 1/4 NPTF - 3/8 NPTF, ATEX approved

Flow rate characteristic



p_1 = Supply pressure; p_2 = Secondary pressure; q_n = Nominal flow



(mounting bracket not included, order separately)

A1	A4	B	C	D	E	H	J	K	O	R	T	U
1/4 NPTF	G 1/8	2.047	2.323	2.559	1.110	6.181	2.433	1.945	1.496	0.213	0.394	2.559
3/8 NPTF	G 1/8	2.047	2.323	2.559	1.110	6.181	2.433	1.945	1.496	0.213	0.394	2.559

Dimensions in inches

Compr. air maintenance unit, series AS2-Inch

3/2 directional-control valve AS2-SOV, electrically operated,
1/4 NPTF - 3/8 NPTF

Rexroth
Bosch Group



Technical Data

Type	Poppet valve
Working pressure	0 ... 145 psi
Nominal flow q_n	see table
Secondary pressure	91 psi and $\Delta p = 15$ psi
Ambient temperature	-10 °C to +50 °C (14 °F to +122 °F) *
Medium	Compressed air
Weight	see table
Pickup power with AC 50 Hz	2.2 VA
Holding power with AC 50 Hz	1.6 VA
Power consumption with DC	2 W
Relative switch-on duration	100 %
Protection class (DIN 40 050) with/without electrical connector	IP 00 (NEMA1) / IP 65 (NEMA4)
Installation position:	any
Materials (body)	PA MXD 6, seals Buna-N(NBR)
Thread bushing	Die-cast zinc
Cover	ABS

* with dried air

Version:

Cut-off and sequencing valve with unrestricted cross-section.

Two switch positions: a) Basic position: input closed, output ventilated; b) Operated: input and output connected, exhaust closed.

Connection via electrical connector shape C, DIN 43 650.

Please observe note regarding compressed air preparation!



Part no.

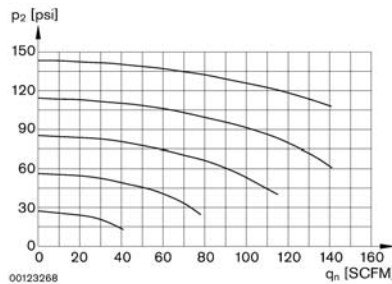
Symbol	Threaded ports	Nominal flow q_n [SCFM]	With options	Weight [lbs]	Part no.
	1/4 NPTF	64	Electrical operation; with solenoid coil 24 V=	0.48	R432000669
	1/4 NPTF	64	Electrically operated; with 110 V ~/50 Hz coil	0.48	R432000670
	1/4 NPTF	64	Electrically operated; with 240 V ~/50 Hz coil	0.48	R432000671
	3/8 NPTF	71	Electrical operation; with solenoid coil 24 V=	0.48	R432000673
	3/8 NPTF	71	Electrically operated; with 110 V ~/50 Hz coil	0.48	R432000674
	3/8 NPTF	71	Electrically operated; with 240 V ~/50 Hz coil	0.48	R432000675

Accessories (to be ordered separately)

Accessory	Part no.
Silencer: sintered bronze (short)	1827000033
Silencer: sintered bronze (long)	R412004817
Connector, shape C, DIN 43 650	1834484187
Connector, shape C, with LED and protective circuit	1834484XXX
Mounting strap AS2-MBR-...-W03	R412006370
Mounting plate AS2-MBR-...-W01	R412006368
Block assembly kit AS2-MBR-...-W04	R412006371
Pilot valves *	0820048XXX

* see Chapter 6, DO16 series

Flow rate characteristic

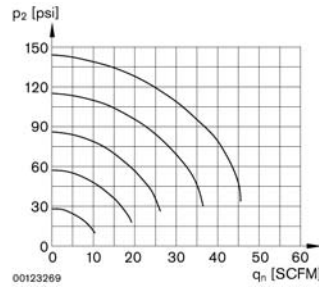


p_2 = secondary pressure
 q_n = nominal flow

Compr. air maintenance unit, series AS2-Inch

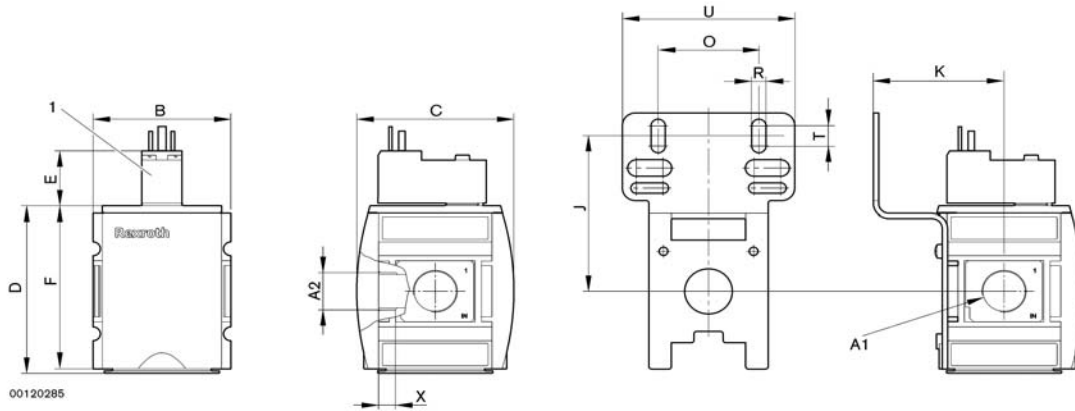
3/2 directional-control valve AS2-SOV, electrically operated,
1/4 NPTF - 3/8 NPTF

Rear exhaust



p2 = secondary pressure
qn = nominal flow

Drawing



(mounting bracket not included, order separately)

A1	A2 *	B	C	D	E	F	J	K	O	R	T	U	X
1/4 NPTF	G 1/4	2.047	2.323	2.630	0.862	2.559	2.433	1.945	1.496	0.213	0.394	2.559	0.394
3/8 NPTF	G 1/4	2.047	2.323	2.630	0.862	2.559	2.433	1.945	1.496	0.213	0.394	2.559	0.394

* Exhaust

Dimensions in inches

Compr. air maintenance unit, series AS2-Inch

3/2 directional-control valve AS2-SOV, pneumatically operated,
1/4 NPTF - 3/8 NPTF, ATEX approved

Rexroth
Bosch Group



Technical Data

Type	Poppet valve
Working pressure	0 ... 145 psi
Nominal flow q_n	see table
Secondary pressure	91 psi and $\Delta p = 15$ psi
Ambient temperature	-10 °C to +50 °C (14 °F to +122 °F) *
Medium	Compressed air
Weight	see table
Installation position	any
Protection class (DIN 40 050) with / without electrical connector	IP 00 (NEMA1) / IP 65 (NEMA4)

Materials (body)	PA MXD 6, seals Buna-N(NBR)
Thread bushing	Die-cast zinc
Cover	ABS

ATEX:	In zone 1 (gas-ex, category 2G)
	In zone 21 (dust-ex, category 2D)
	In zone 2 (gas-ex, category 3G)
	In zone 22 (dust-ex, category 3D)

* with dried air

Version:

Cut-off and sequencing valve with unrestricted cross-section.

Two switch positions: a) Basic position: input closed, output ventilated; b) Operated: input and output connected, exhaust closed.

Please observe note regarding compressed air preparation!



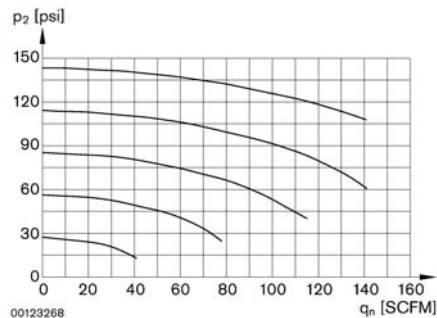
Part no.

Symbol	Threaded ports	Nominal flow q_n [SCFM]	With options	Weight [lbs]	Part no.
	1/4 NPTF	64	Change-over valve / shut-off valve pneumatically operated	0.48	R432000666
	3/8 NPTF	71	Change-over valve / shut-off valve pneumatically operated	0.48	R432000667

Accessories (to be ordered separately)

	Accessory	Part no.
	Silencer: sintered bronze (short)	R412004817
	Mounting strap AS2-MBR-...-W03	R412006370
	Mounting plate AS2-MBR-...-W01	R412006368
	Block assembly kit AS2-MBR-...-W04	R412006371

Flow rate characteristic



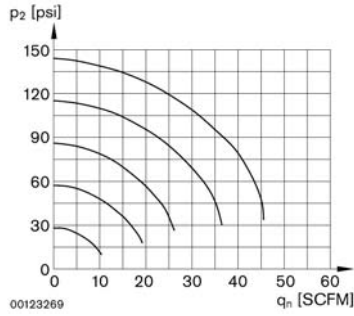
p_2 = secondary pressure
 q_n = nominal flow

Compr. air maintenance unit, series AS2-Inch

3/2 directional-control valve AS2-SOV, pneumatically operated,
1/4 NPTF - 3/8 NPTF, ATEX approved

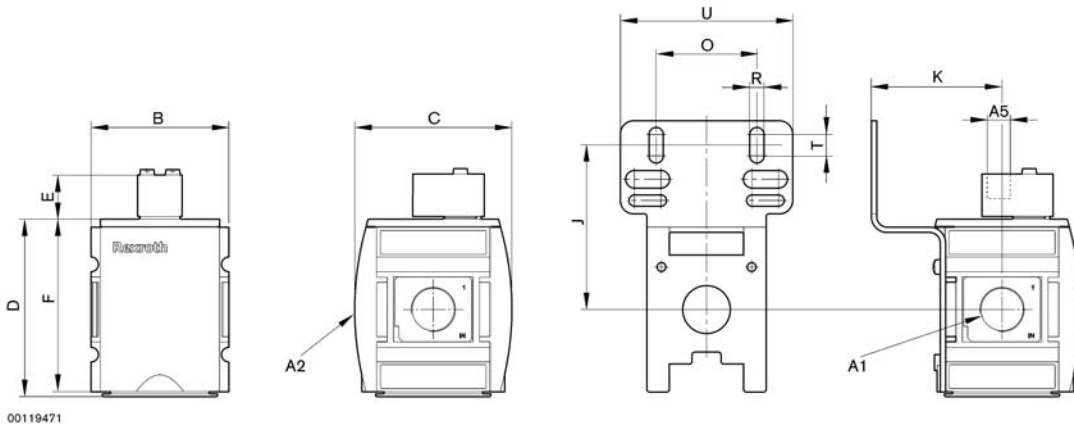


Rear exhaust



p2 = secondary pressure
qn = nominal flow

Drawing



(mounting bracket not included, order separately)

A1	A2 *	A5	B	C	D	E	F	J	K	O	R	T	U	X
1/4 NPTF	G 1/4	G 1/8	2.047	2.323	2.630	0.669	2.559	2.433	1.945	1.496	0.213	0.394	2.559	0.394
3/8 NPTF	G 1/4	G 1/8	2.047	2.323	2.630	0.669	2.559	2.433	1.945	1.496	0.213	0.394	2.559	0.394

* Exhaust
Dimensions in inches

Compr. air maintenance unit, series AS2-Inch

3/2-way shut-off valve (ball valve) AS2-BAV, mechanically operated, lockable option, 1/4 NPTF - 3/8 NPTF, ATEX approved



Technical Data

Type	3/2 directional-control valve, operated by a knob, 3-fold lockable See table	
Nominal flow q_n	Secondary pressure = 91 psi and $\Delta p = 15$ psi	
Ambient temperature	-10 °C to +50 °C (14 °F to +122 °F) *	
Medium	Compressed air	
Weight	See table	
Installation position	any	

Materials	Body	PA MXD 6, seals Buna-N(NBR)
	Thread bushing	Die-cast zinc
	Cover	ABS
	Lockable slide plate	Zinc plated steel

ATEX:	In zone 1 (gas-ex, category 2G) In zone 21 (dust-ex, category 2D) In zone 2 (gas-ex, category 3G) In zone 22 (dust-ex, category 3D)
-------	--



* with dried air

Knob, can be turned 90° (Open-Closed) and can be locked in both positions with a padlock
Knob with switch position display: crosswise: inlet closed, outlet to exhaust; lengthways: inlet and outlet connected, air exhaust closed

Exhaust air can be collected (1/4 NPT)

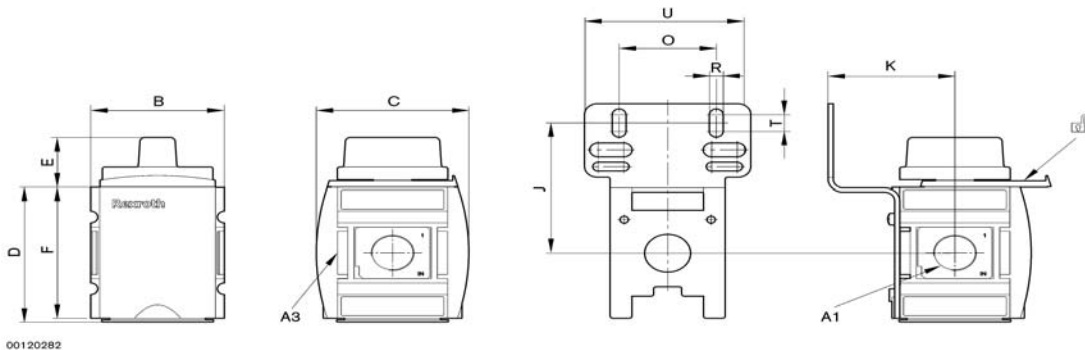
Air exhaust from connection A to R: nominal size 1.5

Part no.

Symbol	Threaded ports	Nominal flow q_n [SCFM]	Weight [lbs]	Part no.
	1/4 NPTF	106	0.45	R432002358 (lockable) R432002360 (non-locking)
	3/8 NPTF	106	0.45	R432002359 (lockable) R432002361 (non-locking)

Accessories (to be ordered separately)

	Accessories	Part no.
	Pneumatic silencer (short)	R412004817
	Mounting plate AS2-MBR-...-W01	R412006368
	Block assembly kit AS2-MBR-...-W04	R412006371
	Mounting strap AS2-MBR-...-W03	R412006370



(mounting bracket not included, order separately)

A1	A3	B	C	D	E	F	J	K	O	R	T	U
1/4 NPTF	G 1/4	2.047	2.323	2.512	0.925	2.441	2.433	1.945	1.496	0.213	0.394	2.559
3/8 NPTF	G 1/4	2.047	2.323	2.512	0.925	2.441	2.433	1.945	1.496	0.213	0.394	2.559

Dimensions in inches

Compr. air maintenance unit, series AS2-Inch

Filling valve (soft start) AS2-SSV, 1/4 NPTF - 3/8 NPTF, ATEX approved



Technical Data

Type	Poppet valve
Operating pressure	36 ... 232 psi
Nominal flow q_n	see table
Secondary pressure	91 psi and $\Delta p = 15$ psi
Ambient temperature	-10 °C to +50 °C (14 °F to +122 °F) *
Medium	Compressed air
Weight	see table
Installation position	any

Materials (body)	PA MXD 6, seals Buna-N(NBR)
Threaded bushing	Die-cast zinc (chromized and black stove enamelled)
Cover	ABS

ATEX:	In zone 1 (gas-ex, category 2G)
	In zone 21 (dust-ex, category 2D)
	In zone 2 (gas-ex, category 3G)
	In zone 22 (dust-ex, category 3D)

* with dried air



Version:

Opening pressure: approx. 50% of input pressure

Actuating method: via secondary pressure

Only for closed systems

Please observe note regarding compressed air preparation!

Additionally technical data: see 3/2 directional-control valve AS 2 and filling valve AS 2

Slowly builds up the pressure in pneumatic installations, i.e. prevents sudden pressure build-up after a restart following mains pressure failure or EMERGENCY OFF, thus preventing dangerous, sudden cylinder movements.



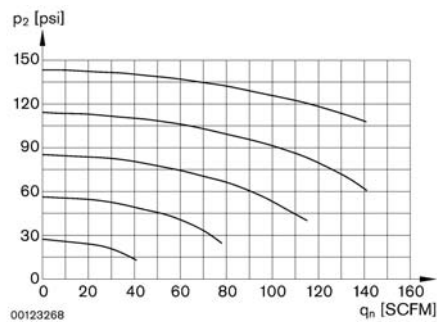
Part no.

Symbol	Threaded ports	Nominal flow q_n [SCFM]	With options	Weight [lbs]	Part no.
	1/4 NPTF	81	Filling adjustable	0.45	R432000676
	3/8 NPTF	81	Filling adjustable	0.45	R432000677

Accessories (to be ordered separately)

	Accessory	Part no.
	Mounting plate AS2-MBR-...-W01	R412006368
	Mounting strap AS2-MBR-...-W03	R412006370
	Block assembly kit AS2-MBR-...-W04	R412006371

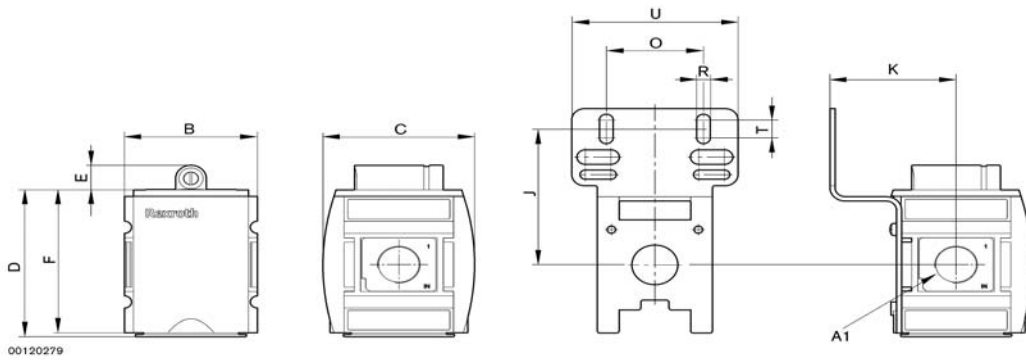
Flow rate characteristic



p_2 = secondary pressure
 q_n = nominal flow

Compr. air maintenance unit, series AS2-Inch

Filling valve (soft start) AS2-SSV, 1/4 NPTF - 3/8 NPTF, ATEX approved



(mounting bracket not included, order separately)

A1	B	C	D	E	F	J	K	O	R	T	U
1/4 NPTF	2.047	2.323	2.630	0.441	2.559	2.433	1.945	1.496	0.213	0.394	2.559
3/8 NPTF	2.047	2.323	2.630	0.441	2.559	2.433	1.945	1.496	0.213	0.394	2.559

Dimensions in inches

Compr. air maintenance unit, series AS2-Inch

Distributor block AS2-DIS, 3-way, 1/4 NPTF - 3/8 NPTF, ATEX approved



Technical Data

Nominal flow qn	See table	
Secondary pressure = 91 psi and $\Delta p = 15$ psi		
Ambient temperature range	-10 °C to +50 °C (14 °F to 122 °F) *	
Medium	Compressed air	
Weight	See table	
Installation position	any	
Materials	Body Threaded insert Cover	PA MXD 6, seals Buna-N(NBR) Zn-die cast ABS
ATEX:	In zone 1 (gas-ex, category 2G) In zone 21 (dust-ex, category 2D) In zone 2 (gas-ex, category 3G) In zone 22 (dust-ex, category 3D)	



Suitable for flange assembly of a mechanical vacuum/pressure switch

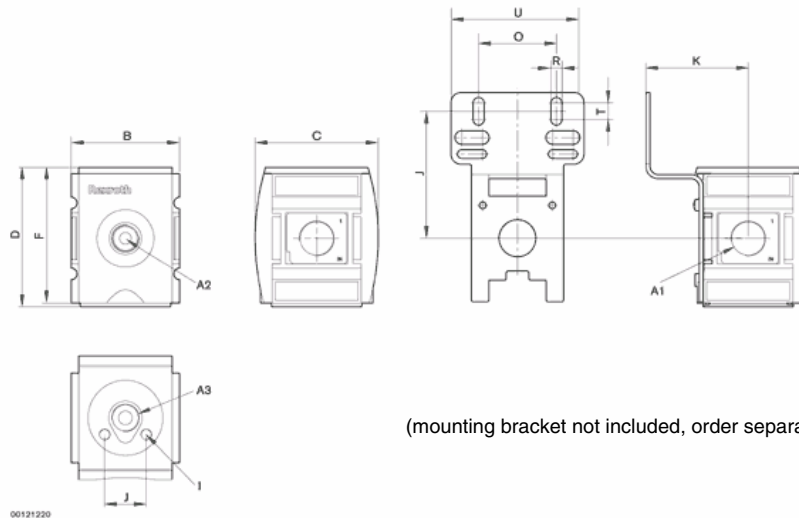
Part no.

Symbol	Threaded ports	Nominal flow qn [SCFM]	Weight [lbs]	Part no.
	1/4 NPTF	95 (1- >2) ¹⁾	0.55	R432000658
	3/8 NPTF	127 (1- >2) ¹⁾	0.55	R432000659

1) top (1- >5) = 70 SCFM; front (1- >4) = 31 SCFM; below (1- >3) = 70 SCFM

Accessories (to be ordered separately)

Accessory	Part no.
Mechanical vacuum switch, pabs = -13 ... 0 psi	0821100020
Mechanical pressure switch, p1 = 2 ... 43 psi	0821100021
Mechanical pressure switch, p1 = 15 ... 232 psi	0821100023
Block assembly kit AS2-MBR-...-W04	R412006371
Mounting strap AS2-MBR-...-W03	R412006370
Mounting plate AS2-MBR-...-W01	R412006368



(mounting bracket not included, order separately)

A1	A2	A3	B	C	D	F	I	J	K	O	R	T	U
1/4 NPTF	1/4 NPTF	1/4 NPTF	2.047	2.323	2.630	2.559	M5 (10-32)	2.433	1.945	1.496	0.213	0.394	2.559
3/8 NPTF	1/4 NPTF	1/4 NPTF	2.047	2.323	2.630	2.559	M5 (10-32)	2.433	1.945	1.496	0.213	0.394	2.559

Dimensions in inches

Compr. air maintenance unit, series AS3-Inch

AS3 Inch version index

Rexroth
Bosch Group



	Page
AS3 Combination FR+L maintenance unit, NPT	37
AS3 Combination F+R+L maintenance unit, NPT	39
AS3 Pressure regulator, NPT	41
AS3 Pressure regulator, manifold version, NPT	43
AS3 Precision pressure regulator, NPT	45
AS3 Precision pressure regulator, manifold version, NPT	47
AS3 Filter regulator, NPT	49
AS3 Standard filter, NPT	52
AS3 Pre-filter, NPT	54
AS3 Coalescing filter, NPT	56
AS3 Active carbon filter, NPT	58
AS3 Lubricator, NPT	60
AS3 Distributor block, NPT	62
AS3 Mounting brackets and other accessories	133

Compr. air maintenance unit, series AS3-Inch

FR+L Maintenance unit AS3-ACD, 2-in-1, 3/8 NPTF - 1/2 NPTF, ATEX approved

Rexroth
Bosch Group



Technical Data

Type	Filter Pressure regulator	Filter insert exchangeable Diaphragm-type pressure regulator with secondary air exhaust Regulator head lockable
	Lubricator	Standard oil-mist lubricator with automatic oil filling Fill level – sight glass with slotted screw adjustment for oil metering
		Can be filled with oil during operation
Supply pressure	Condensate drain	semi-automatic: 7 ... 232 psi fully automatic: 21 ... 232 psi
Secondary pressure		See table
Nominal flow Qn (SCFM)		See table
Secondary pressure = 87 psi and Δp = 15 psi		
Temperature range		-10° to +50 °C (14 °F ... +122 °F) *
Medium		Compressed air
Weight		See table
Installation position		Vertical
Materials	Body Thread insert Reservoir Bowl guard Cover Filter element	PA 66, seals Buna-N(NBR) Die-cast zinc Polycarbonate with bayonet catch PA ABS Cellpor (Polyethylene)
Reservoir capacity	Filter Lubricator	49 cm ³ (1.6 U.S. Fl. oz.) (semi-automatic) 80 cm ³ (2.7 U.S. Fl. oz.)
Filter porosity		5 μm
ATEX	In zone 1 (gas-ex, category 2G) In zone 21 (dust-ex, category 2D) In zone 2 (gas-ex, category 3G) In zone 22 (dust-ex, category 3D)	



* with dried air
Filter for separating solid impurities up to 5 μm from compressed air and gases
For quality classes according to DIN ISO 8573-1
- Solid impurities: class 3
- Humidity - water content: class 8
Oil type: HL 68 (DIN 51 524 - ISO VG 68)
Standard values for oil metering: 1-2 drops / min at a nominal flow rate of Qn = 35.30 SCFM
Plastic containers may only be cleaned with water, soap suds, and other similar, neutral agents.

▶ - semi and fully automatic condensate drain *

* either opened without pressure (NO) or closed without pressure (NC)

Part no.

Symbol	Threaded ports	Nominal flow Qn (SCFM)	Secondary pressure [psi]	Options	Weight [lbs.]	Part no. with pressure gauge
	3/8 NPTF	123	7 ... 116	PC container with PA protective guard semi-automatic, without pressure: open	2.244	R432002005
	3/8 NPTF	123	21 ... 116	PC container with PA protective guard fully automatic, without pressure: open	2.352	R432002006
	3/8 NPTF	123	0 ... 116	PC container with PA protective guard fully automatic, without pressure: closed	2.352	R432002007
	1/2 NPTF	123	7 ... 116	PC container with PA protective guard semi-automatic, without pressure: open	2.244	R432002008
	1/2 NPTF	123	21 ... 116	PC container with PA protective guard fully automatic, without pressure: open	2.352	R432002009
	1/2 NPTF	123	0 ... 116	PC container with PA protective guard fully automatic, without pressure: closed	2.352	R432002010

Accessories (to be ordered separately)

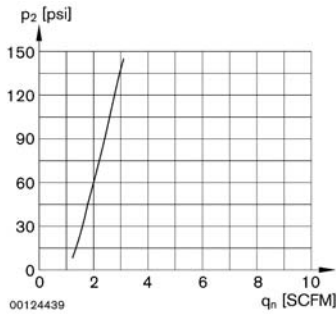
	Accessory	Part no.
	Spare parts kit: see filter pressure regulator valve AS3-FRE and normal mist lubricator AS3-CBS	
	Mounting plate AS3-MBR-...-W01	R412007368
	Mounting strap AS3-MBR-...-W03	R412007370
	Block assembly kit AS3-MBR-...-W04	R412007371
	Block assembly kit (3/8 inch) AS3-MBR-N038...-W05	R432002017
	Block assembly kit (1/2 inch) AS3-MBR-N012...-W05	R432002018
	Pneumatic oil, 1 liter	1829990046

Compr. air maintenance unit, series AS3-Inch

FR+L Maintenance unit AS3-ACD, 2-in-1, 3/8 NPTF - 1/2 NPTF, ATEX approved

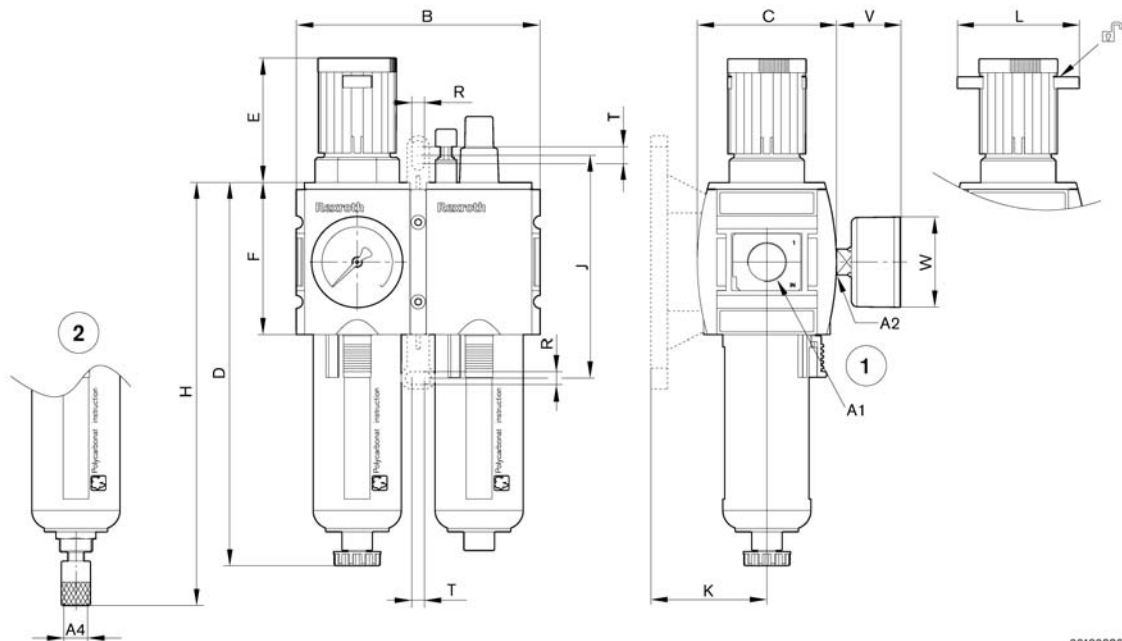
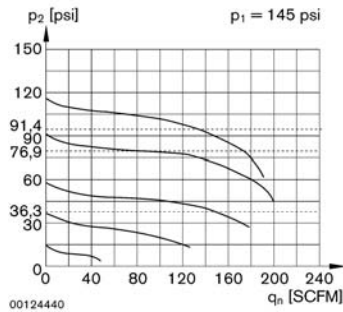


Lubrication activation margin



p_1 = Supply pressure; p_2 = Secondary pressure; q_n = Nominal flow

Flow rate characteristic (setting range p_2 : 7 to 116 psi)



- 1) Semi-automatic condensate drain
- 2) Fully automatic condensate drain

A1	A2	A4	B	C	D	E	F	H	J	K	L	R	T	V	W
3/8 NPTF	G 1/4	G 1/8	4.961	2.913	7.461	2.500	3.150	8.110	4.094	2.795	2.323	0.252	0.315	1.260	1.969
1/2 NPTF	G 1/4	G 1/8	4.961	2.913	7.461	2.500	3.150	8.110	4.094	2.795	2.323	0.252	0.315	1.260	1.969

Dimensions in inches

Compr. air maintenance unit, series AS3-Inch

FRL Maintenance unit AS3-ACT, 3-in-1, 3/8 NPTF - 1/2 NPTF, ATEX approved

Rexroth
Bosch Group



Technical Data

Type	Filter Pressure regulator	Filter insert exchangeable Diaphragm-type pressure regulator with secondary air exhaust
	Lubricator	Standard oil-mist lubricator with automatic oil filling Fill level – sight glass with slotted screw adjustment for oil metering Can be filled with oil during operation
Supply pressure	Condensate drain	semi-automatic: 7 ... 232 psi fully automatic: 21 ... 232 psi
Secondary pressure		See table
Nominal flow Qn		See table
Secondary pressure = 87 psi and Δp = 15 psi		
Temperature range		-10° to +50 °C (14 °F ... 122 °F) *
Medium		Compressed air
Weight		See table
Installation position		Vertical
Materials	Body Thread insert Reservoir Bowl guard Cover Filter element	PA 66, seals Buna-N(NBR) Die-cast zinc Polycarbonate with bayonet catch PA ABS Cellpor (Polyethylene)
Reservoir capacity	Filter Lubricator	49 cm ³ (1.6 U.S. Fl oz) (semi-automatic) 80 cm ³ (2.7 U.S. Fl oz)
Filter porosity		5 μm
ATEX	In zone 1 (gas-ex, category 2G) In zone 21 (dust-ex, category 2D) In zone 2 (gas-ex, category 3G) In zone 22 (dust-ex, category 3D)	



* with dried air

Filter for separating solid impurities up to 5 μm from compressed air and gases

For quality classes according to DIN ISO 8573-1

- Solid impurities: class 3

- Humidity - water content: class 8

Oil type: HL 68 (DIN 51 524 - ISO VG 68)

Standard values for oil metering: 1-2 drops / min at a nominal flow rate of Qn = 35.30 SCFM

Plastic containers may only be cleaned with water, soap suds, and other similar, neutral agents.

▶ - semi and fully automatic condensate drain*

* either opened without pressure (NO) or closed without pressure (NC)

Part no.

Symbol	Threaded ports	Nominal flow Qn [SCFM]	Secondary pressure [psi]	Options	Weight [lbs.]	Part no. with pressure gauge
	3/8 NPTF	123	7 ... 116	PC container with PA protective guard semi-automatic, without pressure: open	2.983	R432002011
	3/8 NPTF	123	21 ... 116	PC container with PA protective guard fully automatic, without pressure: open	3.091	R432002012
	3/8 NPTF	123	0 ... 116	PC container with PA protective guard fully automatic, without pressure: closed	3.091	R432002013
	1/2 NPTF	123	7 ... 116	PC container with PA protective guard semi-automatic, without pressure: open	2.983	R432002014
	1/2 NPTF	123	21 ... 116	PC container with PA protective guard fully automatic, without pressure: open	3.091	R432002015
	1/2 NPTF	123	0 ... 116	PC container with PA protective guard fully automatic, without pressure: closed	3.091	R432002016

Accessories (to be ordered separately)

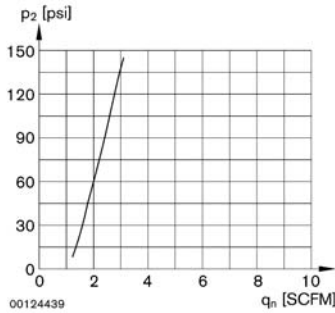
	Accessory	Part no.
	Spare parts kit: see filter pressure regulator AS3-FRE and normal mist lubricator AS3-CBS	
	Mounting plate AS3-MBR-...-W01	R412007368
	Mounting strap AS3-MBR-...-W03	R412007370
	Block assembly kit AS3-MBR-...-W04	R412007371
	Block assembly kit (3/8 inch) AS3-MBR-N038...-W05	R432002017
	Block assembly kit (1/2 inch) AS3-MBR-N012...-W05	R432002018
	Pneumatic oil, 1 liter	1829990046

Compr. air maintenance unit, series AS3-Inch

FRL Maintenance unit AS3-ACT, 3-in-1, 3/8 NPTF - 1/2 NPTF, ATEX approved

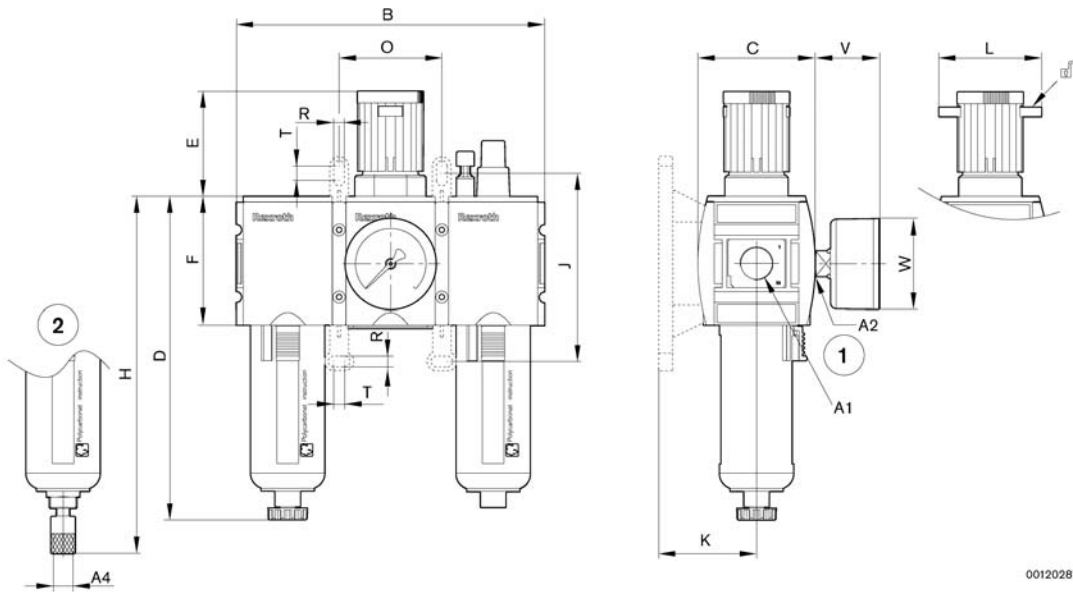
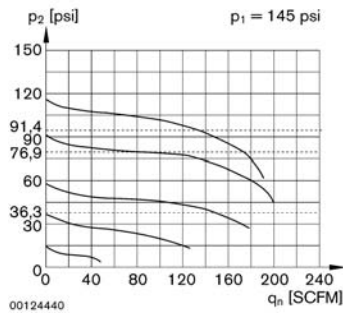


Lubrication activation margin



p_1 = Supply pressure; p_2 = Secondary pressure; q_n = Nominal flow

Flow rate characteristic (setting range p_2 : 7 to 116 psi)



- 1) Semi-automatic condensate drain
- 2) Fully automatic condensate drain

A1	A2	A4	B	C	D	E	F	H	J	K	L	O	R	T	V	W
3/8 NPTF	G 1/4	G 1/8	7.441	2.913	7.461	2.500	3.150	8.110	4.094	2.795	2.323	2.480	0.252	0.315	1.260	1.969
1/2 NPTF	G 1/4	G 1/8	7.441	2.913	7.461	2.500	3.150	8.110	4.094	2.795	2.323	2.480	0.252	0.315	1.260	1.969

Dimensions in inches

Compr. air maintenance unit, series AS3-Inch

Pressure regulator AS3-RGS, 3/8 NPTF - 1/2 NPTF, ATEX approved

Rexroth
Bosch Group



Technical Data

Type	Diaphragm-type pressure regulator with secondary air exhaust	
Supply pressure	232 psi	
Secondary pressure	See table	
Nominal flow Qn	See table	
Secondary pressure = 87 psi and Δp = 15 psi		
Temperature range	-10 to +50 °C (14 °F ... 122 °F)	
Medium	Compressed air	
Weight	See table	
Installation position	any	
Materials	Body Thread insert	PA 66, seals Buna-N(NBR) Die-cast zinc
ATEX	In zone 1 (gas-ex, category 2G) In zone 21 (dust-ex, category 2D) In zone 2 (gas-ex, category 3G) In zone 22 (dust-ex, category 3D)	



* with dried air

Part no.

Symbol	Threaded ports	Nominal flow Qn [SCFM]	Secondary pressure [psi]	Weight [lbs.]	Part no. with pressure gauge
	3/8 NPTF	58	1 ... 14	1.323	R432001933
	3/8 NPTF	162	1 ... 29	1.323	R432001935
	3/8 NPTF	176	2 ... 58	1.323	R432001937
	3/8 NPTF	151	7 ... 116	1.323	R432001939
	3/8 NPTF	151	7 ... 145	1.323	R432001941
	3/8 NPTF	123	7 ... 232	1.323	R432001943
	1/2 NPTF	58	1 ... 14	1.323	R432001945
	1/2 NPTF	162	1 ... 29	1.323	R432001947
	1/2 NPTF	176	2 ... 58	1.323	R432001949
	1/2 NPTF	183	7 ... 116	1.323	R432001951
	1/2 NPTF	183	7 ... 145	1.323	R432001953
	1/2 NPTF	141	7 ... 232	1.323	R432001955

Part no.

Symbol	Threaded ports	Nominal flow Qn [SCFM]	Secondary pressure [psi]	Weight [lbs.]	Part no. without pressure gauge
	3/8 NPTF	58	1 ... 14	1.164	R432001932
	3/8 NPTF	162	1 ... 29	1.164	R432001934
	3/8 NPTF	178	2 ... 58	1.164	R432001936
	3/8 NPTF	151	7 ... 116	1.164	R432001938
	3/8 NPTF	151	7 ... 145	1.164	R432001940
	3/8 NPTF	123	7 ... 232	1.164	R432001942
	1/2 NPTF	58	1 ... 14	1.164	R432001944
	1/2 NPTF	162	1 ... 29	1.164	R432001946
	1/2 NPTF	176	2 ... 58	1.164	R432001948
	1/2 NPTF	183	7 ... 116	1.164	R432001950
	1/2 NPTF	183	7 ... 145	1.164	R432001952
	1/2 NPTF	141	7 ... 232	1.164	R432001954

Accessories (to be ordered separately)

	Accessory	Part no.
	Pressure regulator valve seal kit	R961400144
	Mounting plate AS3-MBR-...-W01 (incl. 2 bolts)	R412007368
	Mounting strap AS3-MBR-...-W03	R412007370
	Block assembly kit AS3-MBR-...-W04	R412007371
	Block assembly kit (3/8 inch) AS3-MBR-N038...-W05	R432002017
	Block assembly kit (1/2 inch) AS3-MBR-N012...-W05	R432002018
	Control panel nut AS3-MBR-...-W06	R412007372
	Pressure gauge Ø 2 inch, G 1/4 *	R412004XXX

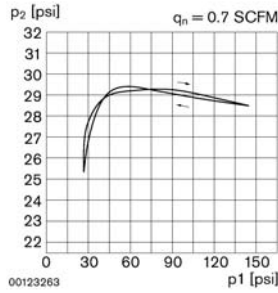
* see accessories

Compr. air maintenance unit, series AS3-Inch

Pressure regulator AS3-RGS, 3/8 NPTF - 1/2 NPTF, ATEX approved

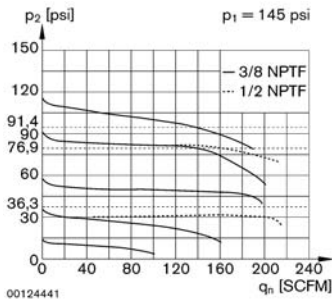


Pressure characteristics curve

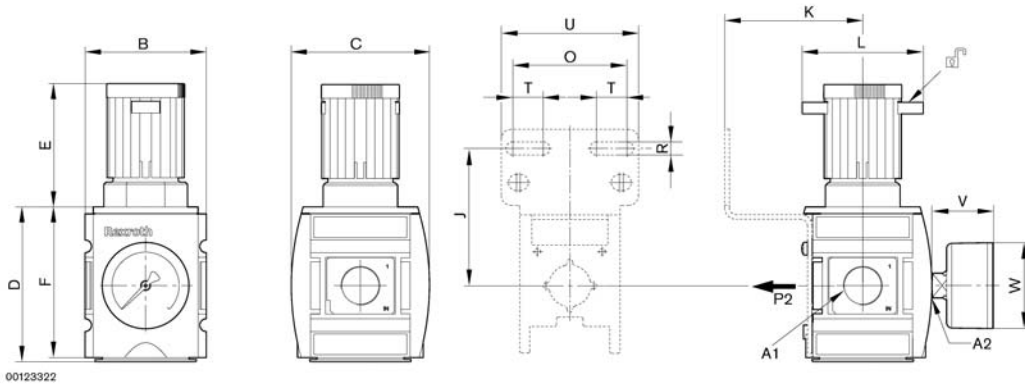


p_1 = Supply pressure; p_2 = Secondary pressure; q = Flow rate

Flow rate characteristic (setting range p_2 : 7 ... 116 psi)



p_1 = Supply pressure; p_2 = Secondary pressure; q_n = Nominal flow



A1	A2	B	C	D	E	F	J	K	L	O	R	T	U	V	W
3/8 NPTF	G 1/4	2.480	2.913	3.228	2.500	3.150	2.854	2.795	2.323	2.362	0.276	0.630	2.835	1.378	1.969
1/2 NPTF	G 1/4	2.480	2.913	3.228	2.500	3.150	2.854	2.795	2.323	2.362	0.276	0.630	2.835	1.378	1.969

Dimensions in inches

Compr. air maintenance unit, series AS3-Inch

Pressure regulator AS3-RGS...DS, with continuous pressure supply,
3/8 NPTF - 1/2 NPTF, ATEX approved

Rexroth
Bosch Group



Technical Data

Type	Diaphragm-type pressure regulator with secondary air exhaust Lockable regulator head	
Supply pressure	232 psi	
Secondary pressure	See table	
Nominal flow Qn	See table	
Secondary pressure = 87 psi and Δp = 15 psi		
Temperature range	-10 to +50 °C (14 °F ... 122 °F) *	
Medium	Compressed air	
Weight	See table	
Installation position	Any	
Materials	Body Thread insert Cover	PA 66, seals Buna-N(NBR) Die-cast zinc ABS
ATEX	In zone 1 (gas-ex, category 2G) In zone 21 (dust-ex, category 2D) In zone 2 (gas-ex, category 3G) In zone 22 (dust-ex, category 3D)	

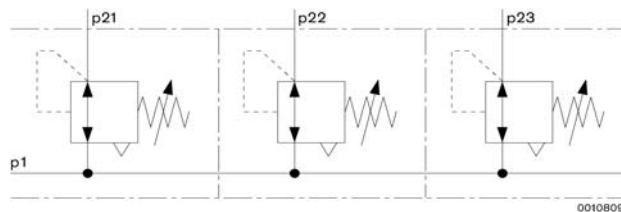


* with dried air

The p1 working pressure can be supplied from the left or the right in the device combination. With high nominal flows, a supply on both sides is recommended!

In the case of block assembly, only pressure gauge with $\varnothing \leq 2$ inch can be used

Example of application



Part no.

Symbol	Threaded ports	Nominal flow Qn [SCFM]	Secondary pressure [psi]	Weight [lbs.]	Part no. without pressure gauge
	3/8 NPTF	58	1 ... 14	1.164	R432002088
	3/8 NPTF	162	1 ... 29	1.164	R432002089
	3/8 NPTF	176	2 ... 58	1.164	R432002090
	3/8 NPTF	151	7 ... 116	1.164	R432002091
	3/8 NPTF	151	7 ... 145	1.164	R432002092
	3/8 NPTF	123	7 ... 232	1.164	R432002093
	1/2 NPTF	58	1 ... 14	1.164	R432002094
	1/2 NPTF	162	1 ... 29	1.164	R432002095
	1/2 NPTF	176	2 ... 58	1.164	R432002096
	1/2 NPTF	183	7 ... 116	1.164	R432002097
	1/2 NPTF	183	7 ... 145	1.164	R432002098
	1/2 NPTF	141	7 ... 232	1.164	R432002099

Accessories (to be ordered separately)

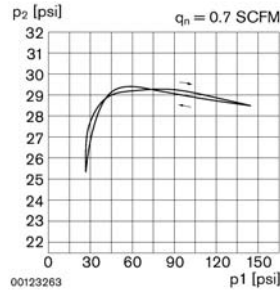
	Accessory	Part no.
	Pressure regulator valve seal kit	R961400144
	Mounting plate AS3-MBR-...-W01 (incl. 2 bolts)	R412007368
	Mounting strap AS3-MBR-...-W03	R412007370
	Block assembly kit AS3-MBR-...-W04	R412007371
	Block assembly kit (3/8 inch) AS3-MBR-N038...-W05	R432002017
	Block assembly kit (1/2 inch) AS3-MBR-N012...-W05	R432002018
	Control panel nut AS3-MBR-...-W06	R412007372
	Pressure gauge \varnothing 2 inch, G 1/4 *	R412004XXX

* see accessories

Compr. air maintenance unit, series AS3-Inch

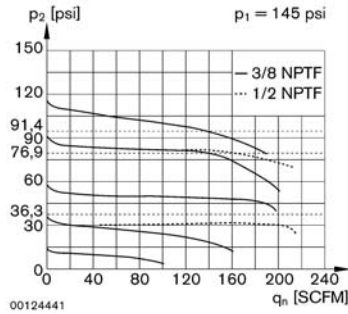
Pressure regulator AS3-RGS...DS, with continuous pressure supply,
3/8 NPTF - 1/2 NPTF, ATEX approved

Pressure characteristics curve

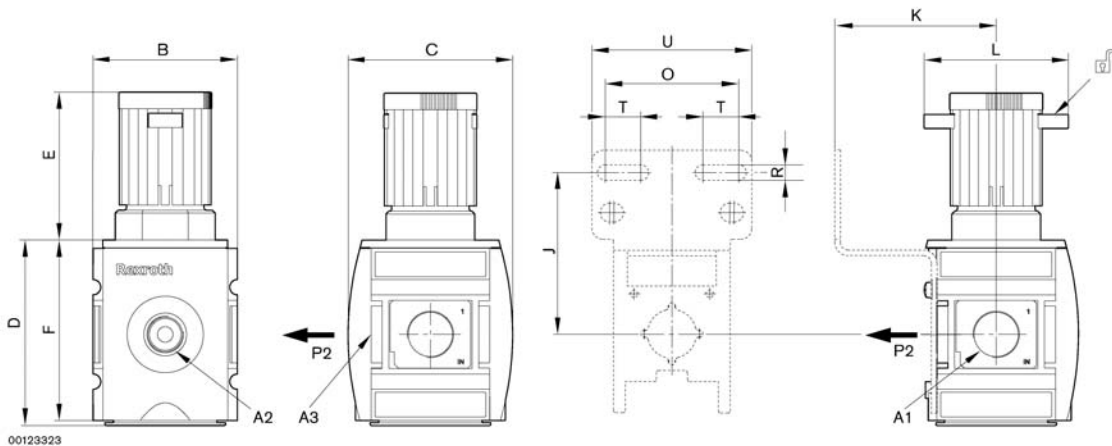


p_1 = Supply pressure; p_2 = Secondary pressure; q = Flow rate

Flow rate characteristic (setting range p_2 : 7 ... 116 psi)



p_1 = Supply pressure; p_2 = Secondary pressure; q_n = Nominal flow



p_2 = Secondary pressure

A1	A2	A3	B	C	D	E	F	J	K	L	O	R	T	U
3/8 NPTF	G 1/4	G 1/4	2.480	2.913	3.228	2.500	3.150	2.854	2.795	2.323	2.362	0.276	0.630	2.835
1/2 NPTF	G 1/4	G 1/4	2.480	2.913	3.228	2.500	3.150	2.854	2.795	2.323	2.362	0.276	0.630	2.835

Dimensions in inches

Compr. air maintenance unit, series AS3-Inch

Precision pressure regulator AS3-RGP, 3/8 NPTF - 1/2 NPTF,
ATEX approved

Rexroth
Bosch Group



Technical Data

Type	Diaphragm-type pressure regulator with secondary air exhaust Lockable regulator head	
Supply pressure	232 psi	
Secondary pressure	See table	
Nominal flow Qn	See table	
Secondary pressure = 87 psi and Δp = 15 psi		
Temperature range	-10 to +50 °C (14 °F to +122 °F) *	
Medium	Compressed air	
Weight	See table	
Installation position	Any	
Materials	Body Thread insert Cover	PA 66, seals Buna-N(NBR) Die-cast zinc ABS



* with dried air

Continuous air consumption = 0.09 SCFM, depending on secondary pressure p2 = 87 psi

ATEX	In zone 1 (gas-ex, category 2G) In zone 21 (dust-ex, category 2D) In zone 2 (gas-ex, category 3G) In zone 22 (dust-ex, category 3D)
------	--

Part no.

Symbol	Threaded ports	Nominal flow Qn [SCFM]	Secondary pressure [psi]	Weight [lbs.]	Part no. with pressure gauge
	3/8 NPTF	58	1 ... 14	1.323	R432001957
	3/8 NPTF	162	1 ... 29	1.323	R432001959
	3/8 NPTF	178	2 ... 58	1.323	R432001961
	3/8 NPTF	151	7 ... 116	1.323	R432001963
	3/8 NPTF	151	7 ... 145	1.323	R432001965
	1/2 NPTF	58	1 ... 14	1.323	R432001967
	1/2 NPTF	162	1 ... 29	1.323	R432001969
	1/2 NPTF	176	2 ... 58	1.323	R432001971
	1/2 NPTF	183	7 ... 116	1.323	R432001973
	1/2 NPTF	183	7 ... 145	1.323	R432001975

Part no.

Symbol	Threaded ports	Nominal flow Qn [SCFM]	Secondary pressure [psi]	Weight [lbs.]	Part no. without pressure gauge
	3/8 NPTF	58	1 ... 14	1.164	R432001956
	3/8 NPTF	162	1 ... 29	1.164	R432001958
	3/8 NPTF	178	2 ... 58	1.164	R432001960
	3/8 NPTF	151	7 ... 116	1.164	R432001962
	3/8 NPTF	151	7 ... 145	1.164	R432001964
	1/2 NPTF	58	1 ... 14	1.164	R432001966
	1/2 NPTF	162	1 ... 29	1.164	R432001968
	1/2 NPTF	176	2 ... 58	1.164	R432001970
	1/2 NPTF	183	7 ... 116	1.164	R432001972
	1/2 NPTF	183	7 ... 145	1.164	R432001974

Accessories (to be ordered separately)

	Accessory	Part no.
	Pressure regulator valve seal kit	R961400145
	Mounting plate AS3-MBR-...-W01	R412007368
	Mounting strap AS3-MBR-...-W03	R412007370
	Block assembly kit AS3-MBR-...-W04	R412007371
	Block assembly kit (3/8 inch) AS3-MBR-N038...-W05	R432002017
	Block assembly kit (1/2 inch) AS3-MBR-N012...-W05	R432002018
	Control panel nut AS3-MBR-...-W06	R412007372
	Pressure gauge Ø 2 inch, G 1/4 *	R412004XXX

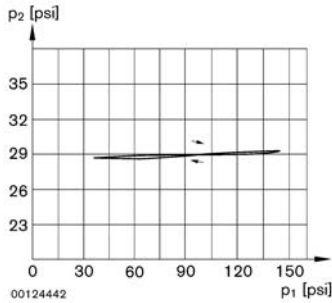
* see accessories

Compr. air maintenance unit, series AS3-Inch

Precision pressure regulator AS3-RGP, 3/8 NPTF - 1/2 NPTF, ATEX approved

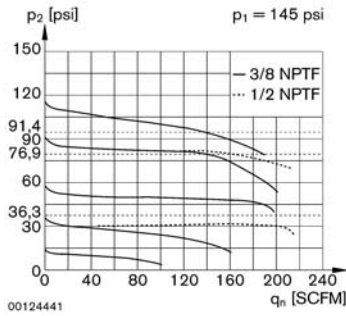


Pressure characteristics curve

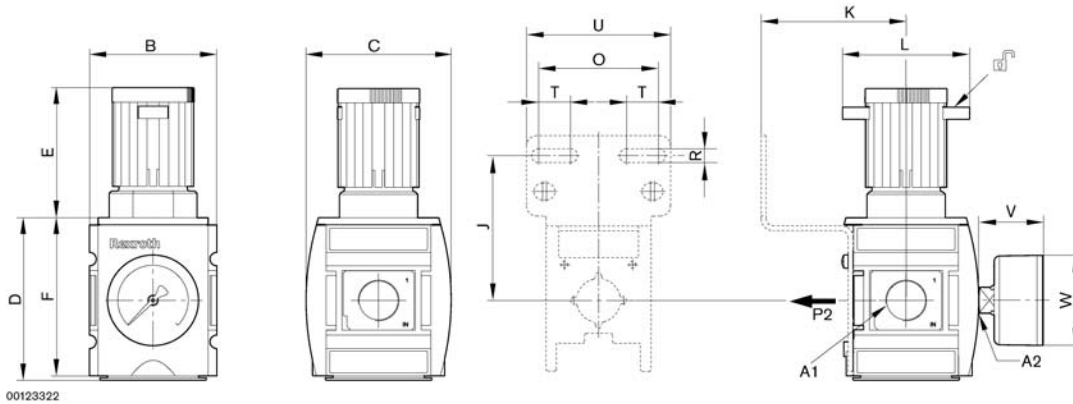


p_1 = Supply pressure; p_2 = Secondary pressure; q = Flow rate

Flow rate characteristic (setting range p_2 : 7 ... 116 psi)



p_1 = Supply pressure; p_2 = Secondary pressure; q_n = Nominal flow



A1	A2	B	C	D	E	F	J	K	L	O	R	T	U	V	W
3/8 NPTF	G 1/4	2.480	2.913	3.228	2.500	3.150	2.854	2.795	2.323	2.362	0.276	0.630	2.835	1.378	1.969
1/2 NPTF	G 1/4	2.480	2.913	3.228	2.500	3.150	2.854	2.795	2.323	2.362	0.276	0.630	2.835	1.378	1.969

Dimensions in inches

Compr. air maintenance unit, series AS3-Inch

Precision pressure regulator AS3-RGP-...-DS, with continuous pressure supply, 3/8 NPTF - 1/2 NPTF, ATEX approved

Rexroth
Bosch Group



Technical Data

Type	Diaphragm-type pressure regulator with secondary air exhaust Lockable regulator head	
Supply pressure	232 psi	
Secondary pressure	See table	
Nominal flow Qn	See table	
Secondary pressure = 87 psi and Δp = 15 psi		
Temperature range	-10° to +50 °C (14 °F ... 122 °F) *	
Medium	Compressed air	
Weight	See table	
Installation position	Any	
Materials	Body Thread insert Cover	PA 66, seals Buna-N(NBR) Die-cast zinc ABS
ATEX	In zone 1 (gas-ex, category 2G) In zone 21 (dust-ex, category 2D) In zone 2 (gas-ex, category 3G) In zone 22 (dust-ex, category 3D)	



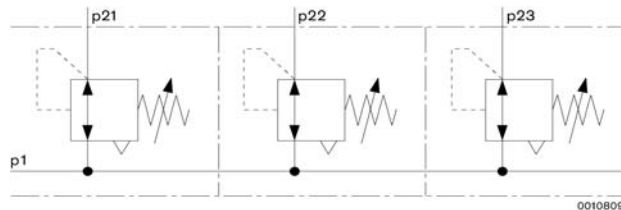
* with dried air

Continuous air consumption = 0.09 SCFM, depending on secondary pressure p2 = 87 psi

The p1 working pressure can be supplied from the left or the right in the device combination. With high nominal flows, a supply on both sides is recommended!

In the case of block assembly, only pressure gauge with Ø ≤ 2 inch can be used

Example of application



Part no.

Symbol	Threaded ports	Nominal flow Qn [SCFM]	Secondary pressure [psi]	Weight [lbs.]	Part no. without pressure gauge
	3/8 NPTF	58	1 ... 14	1.164	R432002104
	3/8 NPTF	162	1 ... 29	1.164	R432002105
	3/8 NPTF	176	2 ... 58	1.164	R432002106
	3/8 NPTF	151	7 ... 116	1.164	R432002107
	3/8 NPTF	151	7 ... 145	1.164	R432002108
	1/2 NPTF	58	1 ... 14	1.164	R432002110
	1/2 NPTF	162	1 ... 29	1.164	R432002111
	1/2 NPTF	176	2 ... 58	1.164	R432002112
	1/2 NPTF	183	7 ... 116	1.164	R432002113
	1/2 NPTF	183	7 ... 145	1.164	R432002114

Accessories (to be ordered separately)

Accessory	Part no.
	R961400145
	R412007368
	R412007370
	R412007371
	R432002017
	R432002018
	R412007372
	R412004XXX

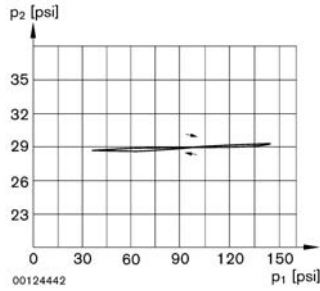
* see accessories

Compr. air maintenance unit, series AS3-Inch

Precision pressure regulator AS3-RGP-...-DS, with continuous pressure supply, 3/8 NPTF - 1/2 NPTF, ATEX approved

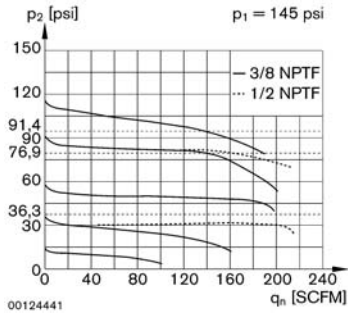


Pressure characteristics curve

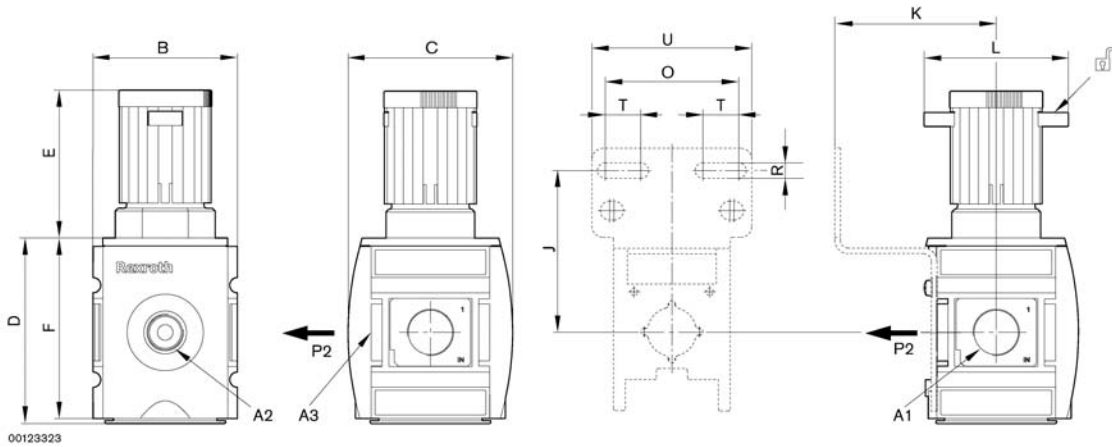


p_1 = Supply pressure; p_2 = Secondary pressure; q = Flow rate

Flow rate characteristic (setting range p_2 : 7 ... 116 psi)



p_1 = Supply pressure; p_2 = Secondary pressure; q_n = Nominal flow



p_2 = Secondary pressure

A1	A2	A3	B	C	D	E	F	J	K	L	O	R	T	U
3/8 NPTF	G 1/4	G 1/4	2.480	2.913	3.228	2.480	3.150	2.854	2.795	2.323	2.362	0.276	0.630	2.835
1/2 NPTF	G 1/4	G 1/4	2.480	2.913	3.228	2.480	3.150	2.854	2.795	2.323	2.362	0.276	0.630	2.835

Dimensions in inches

Compr. air maintenance unit, series AS3-Inch

Filter regulator AS3-FRE, 3/8 NPTF - 1/2 NPTF, ATEX approved

Rexroth
Bosch Group



Technical Data

Type	Filter Pressure regulator	Filter insert exchangeable Diaphragm-type pressure regulator with secondary air exhaust Lockable regulator head
Supply pressure	Condensate drain	semi-automatic: 7 ... 232 psi fully automatic: 21 ... 232 psi
Secondary pressure		See table
Nominal flow Qn		See table
Secondary pressure = 87 psi and Δp = 15 psi		
Ambient temperature		-10° to +50 °C (14 °F ... 122 °F) *
Medium		Compressed air
Weight		See table
Installation position		Vertical
Materials	Body Thread insert Reservoir Bowl guard Cover Filter element	PA 66, seals Buna-N(NBR) Die-cast zinc Polycarbonate with bayonet catch PA ABS Cellpor (Polyethylene)
Reservoir capacity		49 cm ³ (1.6 US Fl oz) (semi-automatic)
Filter porosity		5 μm
ATEX	In zone 1 (gas-ex, category 2G) In zone 21 (dust-ex, category 2D) In zone 2 (gas-ex, category 3G) In zone 22 (dust-ex, category 3D)	



* with dried air

Filter for separating solid impurities up to 5 μm from compressed air and gases

For quality classes according to DIN ISO 8573-1

- Solid impurities: class 3

- Humidity - water content: class 8

Plastic containers may only be cleaned with water, soap suds, and other similar, neutral agents.

Part no.

Symbol	Threaded ports	Nominal flow Qn [SCFM]	Secondary pressure [psi]	Options	Weight [lbs.]	Part no. with pressure gauge
	3/8 NPTF	151	7 ... 116	PC container with PA protective guard semi-automatic, w/out pressure: open	1.451	R432001988
	3/8 NPTF	151	21 ... 116	PC container with PA protective guard fully automatic, w/out pressure: open	1.559	R432001989
	3/8 NPTF	151	0 ... 116	PC container with PA protective guard fully automatic, w/out pressure: closed	1.559	R432001990
	1/2 NPTF	183	7 ... 116	PC container with PA protective guard semi-automatic, w/out pressure: open	1.451	R432001991
	1/2 NPTF	183	21 ... 116	PC container with PA protective guard fully automatic, w/out pressure: open	1.559	R432001992
	1/2 NPTF	183	0 ... 116	PC container with PA protective guard fully automatic, w/out pressure: closed	1.559	R432001993

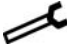
Part no.

Symbol	Threaded ports	Nominal flow Qn [SCFM]	Secondary pressure [psi]	Options	Weight [lbs.]	Part no. without pressure gauge
	3/8 NPTF	151	7 ... 116	PC container with PA protective guard semi-automatic, w/out pressure: open	1.292	R432001976
	3/8 NPTF	151	21 ... 116	PC container with PA protective guard fully automatic, w/out pressure: open	1.400	R432001977
	3/8 NPTF	151	0 ... 116	PC container with PA protective guard fully automatic, w/out pressure: closed	1.400	R432001978
	1/2 NPTF	183	7 ... 116	PC container with PA protective guard semi-automatic, w/out pressure: open	1.292	R432001979
	1/2 NPTF	183	21 ... 116	PC container with PA protective guard fully automatic, w/out pressure: open	1.400	R432001980
	1/2 NPTF	183	0 ... 116	PC container with PA protective guard fully automatic, w/out pressure: closed	1.400	R432001981

Compr. air maintenance unit, series AS3-Inch

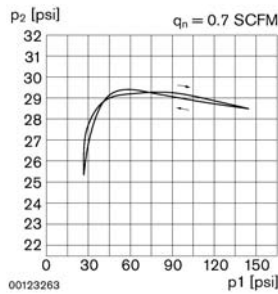
Filter regulator AS3-FRE, 3/8 NPTF - 1/2 NPTF, ATEX approved



▲ Accessories (to be ordered separately)		
	Accessory	Part no.
	Filter reservoir AS3-CLS *	R4120073XX
	Filter insert, 5 µm	1829207068
	Pressure regulator valve seal kit	R961400144
	Mounting plate AS3-MBR-...-W01	R412007368
	Mounting strap AS3-MBR-...-W03	R412007370
	Block assembly kit AS3-MBR-...-W04	R412007371
	Block assembly kit (3/8 inch) AS3-MBR-N038...-W05	R432002017
	Block assembly kit (1/2 inch) AS3-MBR-N012...-W05	R432002018
	Control panel nut AS3-MBR-...-W06	R412007372

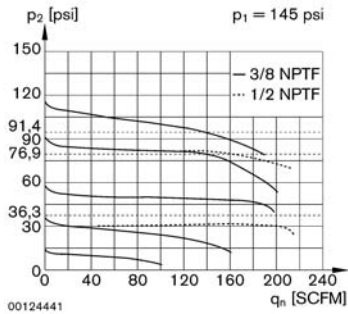
* see accessories

Pressure characteristics curve



p_1 = Supply pressure; p_2 = Secondary pressure; q = Flow rate

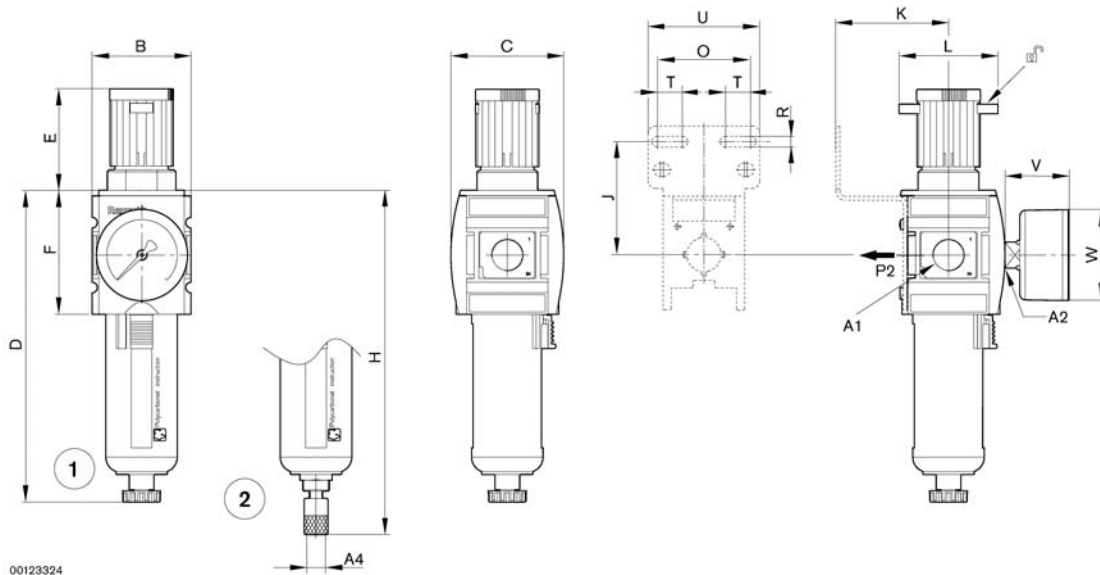
Flow rate characteristic (setting range p_2 : 7 ... 116 psi)



p_1 = Supply pressure; p_2 = Secondary pressure; q_n = Nominal flow; q = Flow rate

Compr. air maintenance unit, series AS3-Inch

Filter regulator AS3-FRE, 3/8 NPTF - 1/2 NPTF, ATEX approved



- 1) Semi-automatic condensate drain
- 2) Fully automatic condensate drain

A1	A2	A4	B	C	D	E	F	H	J	K	L	O	R	T	U	V	W
3/8 NPTF	G 1/4	G 1/8	2.480	2.913	7.461	2.500	3.150	8.110	2.854	2.795	2.323	2.362	0.276	0.630	2.835	1.378	1.969
1/2 NPTF	G 1/4	G 1/8	2.480	2.913	7.461	2.500	3.150	8.110	2.854	2.795	2.323	2.362	0.276	0.630	2.835	1.378	1.969

Dimensions in inches

Compr. air maintenance unit, series AS3-Inch

Standard filter AS3-FLS, 3/8 NPTF - 1/2 NPTF, ATEX approved

Rexroth
Bosch Group



Technical Data

Type	Filter insert exchangeable	
Supply pressure	See table	
Ambient temperature	-10° to +50 °C (14 °F ... 122 °F) *	
Medium	Compressed air	
Weight	See table	
Installation position	vertical	
Materials	Body Thread insert Reservoir Bowl guard Cover Filter element	PA 66, seals Buna-N(NBR) Die-cast zinc Polycarbonate with bayonet catch PA ABS Cellpor (Polyethylene)
Reservoir capacity	49 cm ³ (1.6 US Fl oz) (semi-automatic)	
Filter porosity	5 µm	
ATEX	In zone 1 (gas-ex, category 2G) In zone 21 (dust-ex, category 2D) In zone 2 (gas-ex, category 3G) In zone 22 (dust-ex, category 3D)	



* with dried air

Filter for separating solid impurities up to 5 µm from compressed air and gases

For quality classes according to DIN ISO 8573-1

- Solid impurities: class 3

- Humidity - water content: class 8

Optionally with a semi or fully automatic condensate drain

Condensate drain opened without pressure or closed without pressure.

Plastic containers may only be cleaned with water, soap suds, and other similar, neutral agents.

Part no.

Symbol	Threaded ports	Nominal flow Qn [SCFM]	Supply pressure [psi]	Options	Weight [lbs.]	Part no.
	3/8 NPTF	123	7 ... 232	PC container with PA protective guard semi-automatic, w/out pressure: open	0.796	R432001900
	3/8 NPTF	123	21 ... 232	PC container with PA protective guard fully automatic, w/out pressure: open	0.904	R432001901
	3/8 NPTF	123	0 ... 232	PC container with PA protective guard fully automatic, w/out pressure: closed	0.904	R432001902
	1/2 NPTF	123	7 ... 232	PC container with PA protective guard semi-automatic, w/out pressure: open	0.796	R432001906
	1/2 NPTF	123	21 ... 232	PC container with PA protective guard fully automatic, w/out pressure: open	0.904	R432001907
	1/2 NPTF	123	0 ... 232	PC container with PA protective guard fully automatic, w/out pressure: closed	0.904	R432001908

Accessories (to be ordered separately)

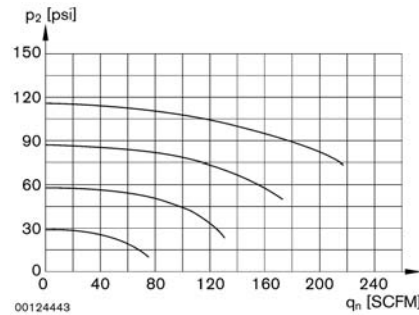
	Accessory	Part no.
	Filter reservoir AS3-CLS *	R4120073XX
	Filter insert, 5 µm	1829207068
	Mounting plate AS3-MBR-...-W01	R412007368
	Mounting strap AS3-MBR-...-W03	R412007370
	Block assembly kit AS3-MBR-...-W04	R412007371
	Block assembly kit (3/8 inch) AS3-MBR-N038...-W05	R432002017
	Block assembly kit (1/2 inch) AS3-MBR-N012...-W05	R432002018

* see accessories

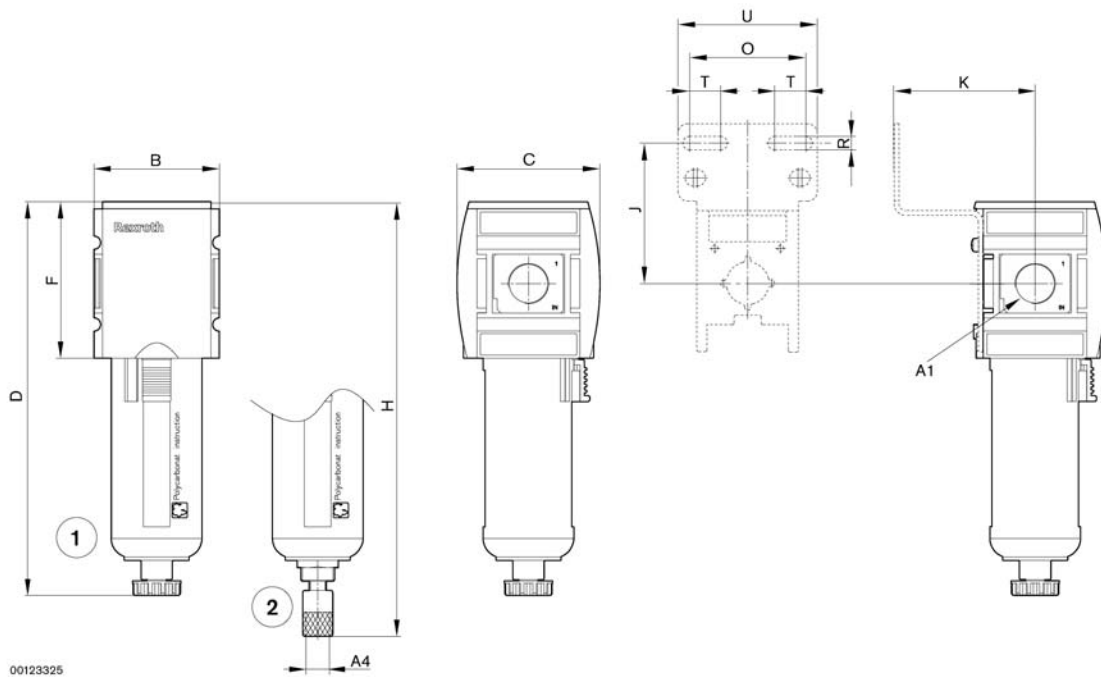
Compr. air maintenance unit, series AS3-Inch

Standard filter AS3-FLS, 3/8 NPTF - 1/2 NPTF, ATEX approved

Flow rate characteristic



p_1 = Supply pressure; p_2 = Secondary pressure; q_n = Nominal flow



- 1) Semi-automatic condensate drain
- 2) Fully automatic condensate drain

A1	A4	B	C	D	F	H	J	K	O	R	T	U
3/8 NPTF	G 1/8	2.480	2.913	7.461	3.150	8.110	2.854	2.795	2.362	0.276	0.630	2.835
1/2 NPTF	G 1/8	2.480	2.913	7.461	3.150	8.110	2.854	2.795	2.362	0.276	0.630	2.835

Dimensions in inches

Compr. air maintenance unit, series AS3-Inch

Pre-filter AS3-FLP, 3/8 NPTF - 1/2 NPTF, ATEX approved

Rexroth
Bosch Group



Technical Data

Type	Pre-filter insert exchangeable	
Supply pressure	See table	
Temperature range	-10° to +50 °C (14 °F ... 122 °F) *	
Medium	Compressed air	
Weight	See table	
Installation position	vertical	
Materials	Body Thread insert Reservoir Bowl guard Cover Filter element	PA 66, seals Buna-N(NBR) Die-cast zinc Polycarbonate with bayonet catch PA ABS Impregnated paper
Reservoir capacity	49 cm ³ (1.6 US Fl oz) (semi-automatic)	
Filter porosity	0.3 µm	
ATEX	In zone 1 (gas-ex, category 2G) In zone 21 (dust-ex, category 2D) In zone 2 (gas-ex, category 3G) In zone 22 (dust-ex, category 3D)	



* with dried air

Pre-filter for separating solid impurities up to 0.3 µm from compressed air and gases

The filter element should be exchanged if there is an increase of Δp by max. 5 psi or once a year.

Dust separation = 99.99 %

For quality classes according to DIN ISO 8573-1

- Solid impurities: class 2

- Humidity - water content: class 8

Plastic containers may only be cleaned with water, soap suds, and other similar, neutral agents.

Part no.

Symbol	Threaded ports	Nominal flow Qn [SCFM] 1) 2)	Supply pressure [psi]	Options	Weight [lbs.]	Part no.
	3/8 NPTF	20	7 ... 232	PC container with PA protective guard semi-automatic, w/out pressure: open	0.796	R432001912
	3/8 NPTF	20	21 ... 232	PC container with PA protective guard fully automatic, w/out pressure: open	0.904	R432001913
	3/8 NPTF	20	0 ... 232	PC container with PA protective guard fully automatic, w/out pressure: closed	0.904	R432001914
	1/2 NPTF	22	7 ... 232	PC container with PA protective guard semi-automatic, w/out pressure: open	0.796	R432001915
	1/2 NPTF	22	21 ... 232	PC container with PA protective guard fully automatic, w/out pressure: open	0.904	R432001916
	1/2 NPTF	22	0 ... 232	PC container with PA protective guard fully automatic, w/out pressure: closed	0.904	R432001917

1) At p₁ = 102 psi

2) Δp = 0.3 psi

Q = qv x f (f = Correction factor for various supply pressures p₁)

	p ₁															
[psi]	14	29	43	58	72	87	101	116	130	145	159	174	188	203	217	232
f	0.25	0.38	0.5	0.65	0.75	0.88	1	1.13	1.25	1.38	1.5	1.63	1.75	1.88	2	2.13

Accessories (to be ordered separately)

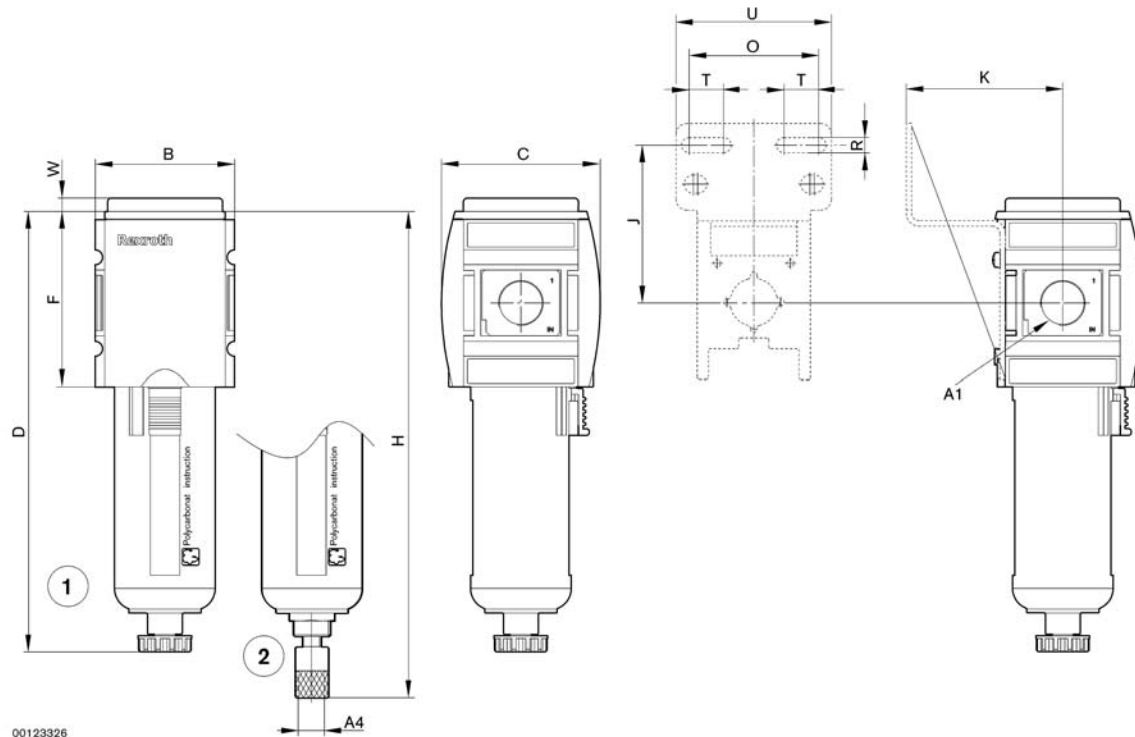
	Accessory	Part no.
	Pre-filter reservoir AS3-CLS *	R412007XXX
	Filter element	R961400140
	Mounting plate AS3-MBR-...-W01	R412007368
	Mounting strap AS3-MBR-...-W03	R412007370
	Block assembly kit AS3-MBR-...-W04	R412007371
	Block assembly kit (3/8 inch) AS3-MBR-N038...-W05	R432002017
	Block assembly kit (1/2 inch) AS3-MBR-N012...-W05	R432002018

* see accessories

Compr. air maintenance unit, series AS3-Inch

Pre-filter AS3-FLP, 3/8 NPTF - 1/2 NPTF, ATEX approved

Rexroth
Bosch Group



00123326

- 1) Semi-automatic condensate drain
- 2) Fully automatic condensate drain

A1	A4	B	C	D	F	H	J	K	O	R	T	U	W
3/8 NPTF	G 1/8	2.480	2.913	7.461	3.150	8.110	2.854	2.795	2.362	0.276	0.630	2.835	0.197
1/2 NPTF	G 1/8	2.480	2.913	7.461	3.150	8.110	2.854	2.795	2.362	0.276	0.630	2.835	0.197

Dimensions in inches

Compr. air maintenance unit, series AS3-Inch

Coalescing filter AS3-FLC, 3/8 NPTF - 1/2 NPTF, ATEX approved

Rexroth
Bosch Group



Technical Data

Type	Micro-filter insert exchangeable	
Supply pressure	See table	
Temperature range	-10° to +50 °C (14 °F ... 122 °F) *	
Medium	Compressed air	
Weight	see table	
Installation position	vertical	
Materials	Body Thread insert Reservoir Bowl guard Cover Filter element	PA 66, seals Buna-N(NBR) Die-cast zinc Polycarbonate with bayonet catch PA ABS Borsilicate glass fibre
Reservoir capacity	49 cm ³ (1.6 US Fl oz) (semi-automatic)	
Filter porosity	0.01 µm	
ATEX	In zone 1 (gas-ex, category 2G) In zone 21 (dust-ex, category 2D) In zone 2 (gas-ex, category 3G) In zone 22 (dust-ex, category 3D)	
Standard	NFE 49004	



* with dried air

Micro filter for the separation of oil, water and solid impurities of up to 0.01 µm from compressed air and gases

For quality classes according to DIN ISO 8573-1

- Solid impurities: class 1

- Oil content: class 1

The filter element must be replaced after a pressure rise Δp of max. 5 psi or once a year.

Filter is resistant to mineral oils and synthetic oils

Oil separation, residual oil content < 0.01 mg/m³ at t = 20 °C (68 °F) and p1 = 102 psi

Plastic containers may only be cleaned with water, soap suds, and other similar, neutral agents.

Part no.

Symbol	Threaded ports	Nominal flow Qn [SCFM] 1) 2)	Supply pressure [psi]	Options	Weight [lbs.]	Part no.
	3/8 NPTF	26	7 ... 232	PC container with PA protective guard without contamination display semi-automatic, without pressure: open	0.796	R432001918
	3/8 NPTF	26	21 ... 232	PC container with PA protective guard without contamination display fully automatic, without pressure: open	0.904	R432001919
	3/8 NPTF	26	0 ... 232	PC container with PA protective guard without contamination display fully automatic, without pressure: closed	0.904	R432001920
	1/2 NPTF	42	7 ... 232	PC container with PA protective guard without contamination display semi-automatic, without pressure: open	0.796	R432001921
	1/2 NPTF	42	21 ... 232	PC container with PA protective guard without contamination display fully automatic, without pressure: open	0.904	R432001922
	1/2 NPTF	42	0 ... 232	PC container with PA protective guard without contamination display fully automatic, without pressure: closed	0.904	R432001923

1) At p1 = 102 psi

2) $\Delta p = 1.3$ psi

Q = qv x f (f = Correction factor for various supply pressures p1)

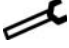
[psi]	p1															
	14	29	43	58	72	87	101	116	130	145	159	174	188	203	217	232
f	0.25	0.38	0.5	0.65	0.75	0.88	1	1.13	1.25	1.38	1.5	1.63	1.75	1.88	2	2.13

Compr. air maintenance unit, series AS3-Inch

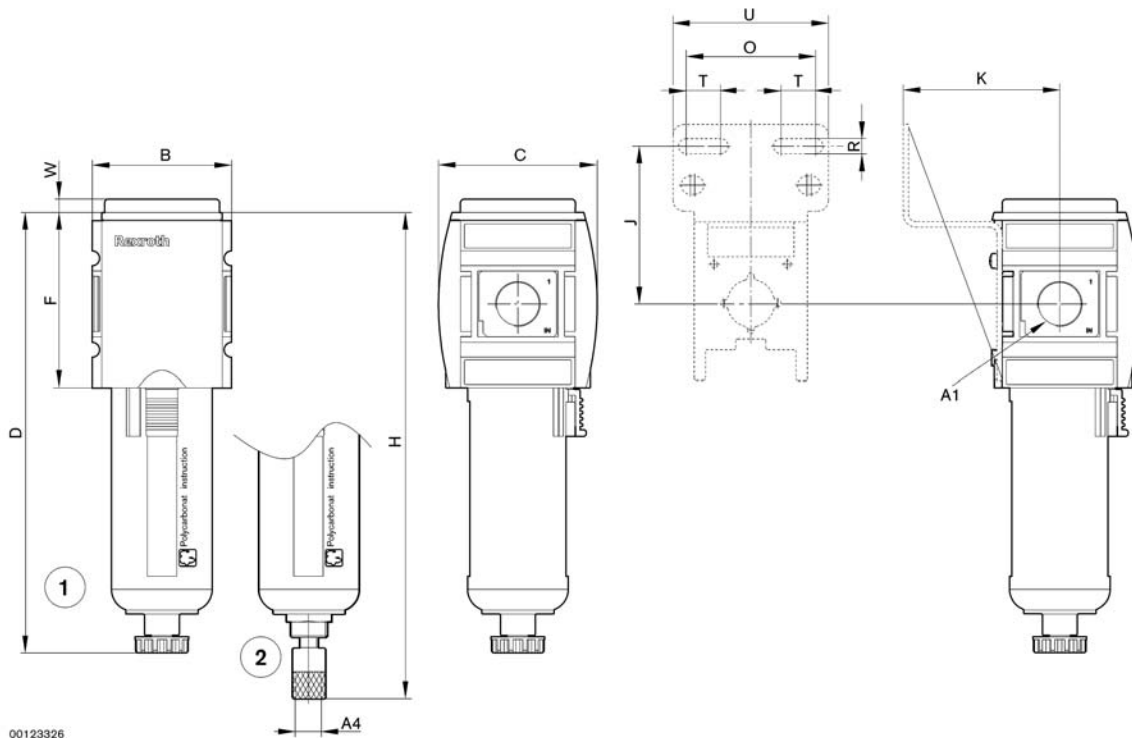
Coalescing filter AS3-FLC, 3/8 NPTF - 1/2 NPTF, ATEX approved

Rexroth
Bosch Group

▲ Accessories (to be ordered separately)

	Accessory	Part no.
	Microfilter reservoir AS3-CLS *	R412007XXX
	Contamination display AS	R412006363
	Filter element	R961400141
	Mounting plate AS3-MBR-...-W01	R412007368
	Mounting strap AS3-MBR-...-W03	R412007370
	Block assembly kit AS3-MBR-...-W04	R412007371
	Block assembly kit (3/8 inch) AS3-MBR-N038...-W05	R432002017
	Block assembly kit (1/2 inch) AS3-MBR-N012...-W05	R432002018

* see accessories



00123326

A1	A4	B	C	D	F	H	J	K	O	R	T	U	W
3/8 NPTF	G 1/8	2.480	2.913	7.461	3.150	8.110	2.854	2.795	2.362	0.276	0.630	2.835	0.197
1/2 NPTF	G 1/8	2.480	2.913	7.461	3.150	8.110	2.854	2.795	2.362	0.276	0.630	2.835	0.197

Dimensions in inches

Compr. air maintenance unit, series AS3-Inch

Active carbon filter AS3-FLA, 3/8 NPTF - 1/2 NPTF, ATEX approved

Rexroth
Bosch Group



Technical Data

Type	Filter insert exchangeable	
Supply pressure	See table	
Temperature range	-10° to +50 °C (14 °F ... 122 °F) *	
Medium	Compressed air	
Weight	See table	
Installation position	vertical	
Materials	Body	PA 66, seals Buna-N(NBR)
	Thread insert	Die-cast zinc
	Reservoir	Polycarbonate with bayonet catch
	Bowl guard	PA
	Filter element	Active carbon
	Cover	ABS
Reservoir capacity	49 cm ³ (1.6 US Fl oz)	
ATEX	In zone 1 (gas-ex, category 2G) In zone 21 (dust-ex, category 2D) In zone 2 (gas-ex, category 3G) In zone 22 (dust-ex, category 3D)	



* with dried air

Active carbon filter for absorption of oil vapor in compressed air and gases

For quality classes according to DIN ISO 8573-1

- Solid impurities: class 3

- Humidity - water content: class 8

- Oil content: class 1

Oil separation, residual oil content < 0.005 mg/m³ at t = 20 °C (68 °F) and p1 = 102 psi

A micro filter must be connected upstream as a prefilter

Part no.

Symbol	Threaded ports	Nominal flow Qn [SCFM] 1) 2)	Supply pressure [psi]	Weight [lbs.]	Part no.
	3/8 NPTF	56	0 ... 232	0.827	R432001930
	1/2 NPTF	65	0 ... 232	0.827	R432001931

1) At p1 = 102 psi

2) Δp = 3 psi

Q = qv x f (f = Correction factor for various supply pressures p1)

[psi]	p1															
	14	29	43	58	72	87	101	106	130	145	159	174	188	203	217	232
f	0.25	0.38	0.5	0.65	0.75	0.88	1	1.13	1.25	1.38	1.5	1.63	1.75	1.88	2	2.13

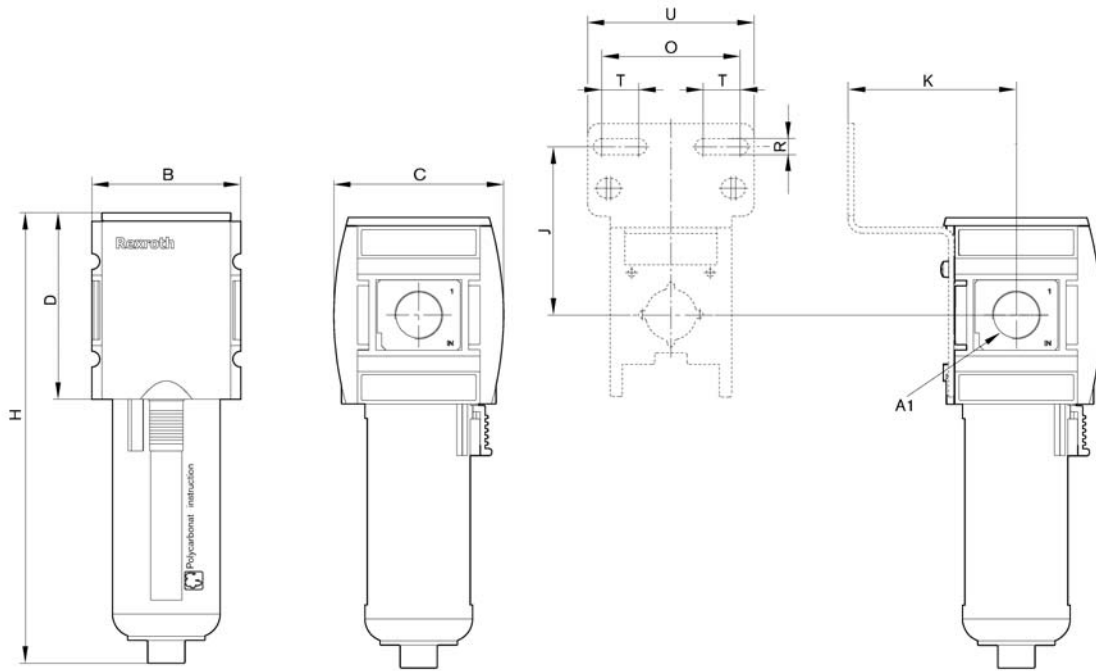
Accessories (to be ordered separately)

	Accessory	Part no.
	Active carbon filter reservoir AS3-CLA *	R412007347
	Active carbon filter insert	R961400143
	Mounting plate AS3-MBR-...-W01	R412007368
	Mounting strap AS3-MBR-...-W03	R412007370
	Block assembly kit AS3-MBR-...-W04	R412007371
	Block assembly kit (3/8 inch) AS3-MBR-N038...-W05	R432002017
	Block assembly kit (1/2 inch) AS3-MBR-N012...-W05	R432002018

Compr. air maintenance unit, series AS3-Inch

Active carbon filter AS3-FLA, 3/8 NPTF - 1/2 NPTF, ATEX approved

Rexroth
Bosch Group



00123327

A1	B	C	D	H	J	K	O	R	T	U
3/8 NPTF	2.480	2.913	3.150	7.205	2.854	2.795	2.362	0.276	0.630	2.835
1/2 NPTF	2.480	2.913	3.150	7.205	2.854	2.795	2.362	0.276	0.630	2.835

Dimensions in inches

Compr. air maintenance unit, series AS3-Inch

Normal mist lubricator AS3-LBS, with automatic oil filling, 3/8 NPTF - 1/2 NPTF, ATEX approved

Rexroth
Bosch Group



Technical Data

Type	Inspection glass with slotted screw for oil metering Can be filled with oil during operation	
Supply pressure	See table	
Temperature range	-10° to +50 °C (14 °F ... 122 °F) *	
Medium	Compressed air	
Weight	See table	
Installation position	vertical	
Materials	Body Thread insert Reservoir Bowl guard Seal	PA 66, seals Buna-N(NBR) Die-cast zinc Polycarbonate with bayonet catch PA ABS
Reservoir capacity	80 cm ³ (2.7 US Fl oz)	
ATEX	In zone 1 (gas-ex, category 2G) In zone 21 (dust-ex, category 2D) In zone 2 (gas-ex, category 3G) In zone 22 (dust-ex, category 3D)	



* with dried air

Oil type: HL 68 (DIN 51 524 - ISO VG 68)

Standard values for oil metering: 1-2 drops / min at a nominal flow rate of $Q_n = 35.30$ SCFM

Plastic containers may only be cleaned with water, soap suds, and other similar, neutral agents.

The unit is equipped with an automatic oil filling (standard). A threaded connector is located in the lower section of the container that can be used to connect a hose to the oil tank.

Pressing the oil top-up button opens a Venturi nozzle that provides a vacuum in the upper section of the container. This suction the oil into the container.

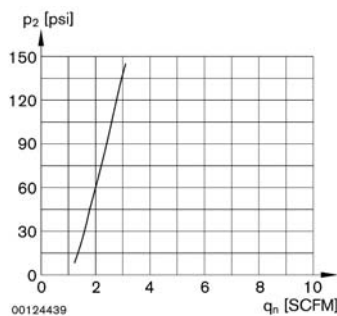
Part no.

Symbol	Threaded ports	Nominal flow Q_n [SCFM]	Supply pressure [psi]	Options	Weight [lbs.]	Part no.
	3/8 NPTF	282	7 ... 232	PC container with PA protective guard	0.756	R432002000
	1/2 NPTF	282	7 ... 232	PC container with PA protective guard	0.756	R432002002

Accessories (to be ordered separately)

	Accessory	Part no.
	Normal-mist lubricator reservoir AS3-CBS *	R412007352
	Lubricator metering set, polycarbonate	R961400032
	Pneumatic oil, 1 litre	1829990046
	Mounting plate AS3-MBR-...-W01	R412007368
	Mounting strap AS3-MBR-...-W03	R412007370
	Block assembly kit AS3-MBR-...-W04	R412007371
Block assembly kit (3/8 inch) AS3-MBR-N038...-W05	R432002017	
Block assembly kit (1/2 inch) AS3-MBR-N012...-W05	R432002018	

Lubrication activation margin

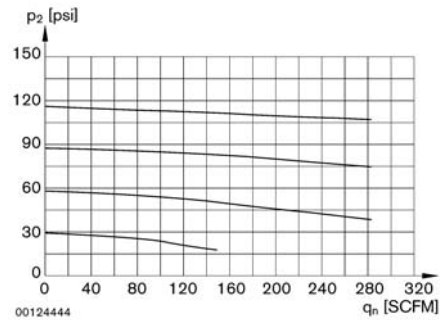


p_2 = Secondary pressure; $q_{n, min.}$ = Min. nominal flow

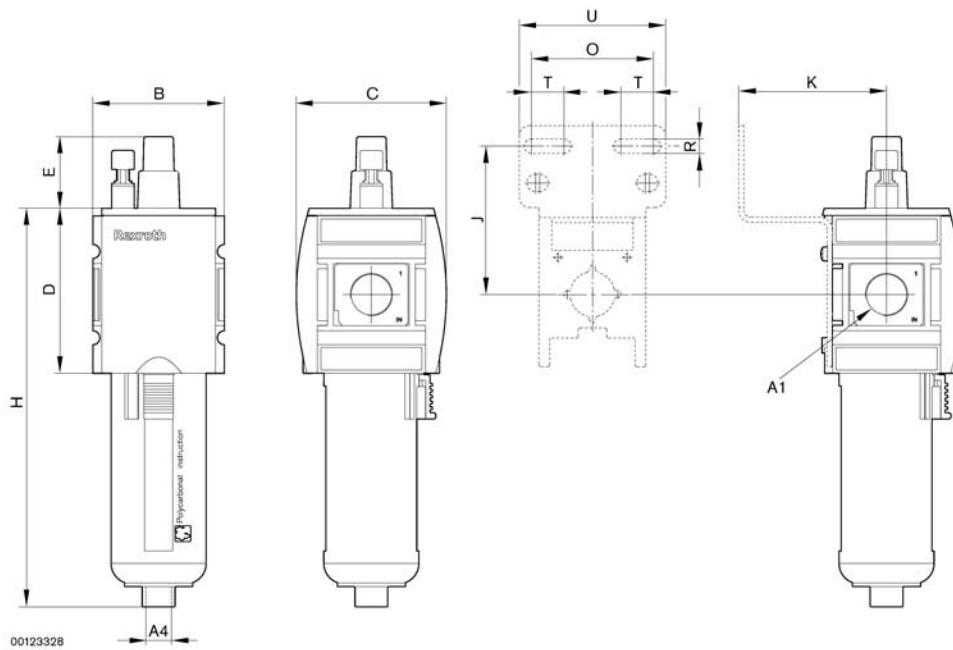
Compr. air maintenance unit, series AS3-Inch

Normal mist lubricator AS3-LBS, with automatic oil filling, 3/8 NPTF - 1/2 NPTF, ATEX approved

Flow rate characteristic



p_1 = Supply pressure; p_2 = Secondary pressure; q_n = Nominal flow



A1	A4	B	C	D	E	H	J	K	O	R	T	U
3/8 NPTF	G 1/8	2.480	2.913	3.150	1.024	7.205	2.854	2.795	2.362	0.276	0.630	2.835
1/2 NPTF	G 1/8	2.480	2.913	3.150	1.024	7.205	2.854	2.795	2.362	0.276	0.630	2.835

Dimensions in inches

Compr. air maintenance unit, series AS3-Inch

Distributor block AS3-DIS, 3-way, 3/8 NPTF - 1/2 NPTF, ATEX approved

Rexroth
Bosch Group

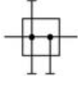
★
 **Technical Data**

Nominal flow Qn	See table	
Operating pressure	0 ... 232 psi	
$\Delta p = 15$ psi		
Ambient temperature range	-10 °C to + 50 °C [14 °F ... 122 °F] *	
Medium	Compressed air	
Weight	See table	
Installation position	any	
Materials	Body Threaded insert Cover	PA 66, seals Buna-N(NBR) Zn-die cast ABS
ATEX	In zone 1 (gas-ex, category 2G) In zone 21 (dust-ex, category 2D) In zone 2 (gas-ex, category 3G) In zone 22 (dust-ex, category 3D)	



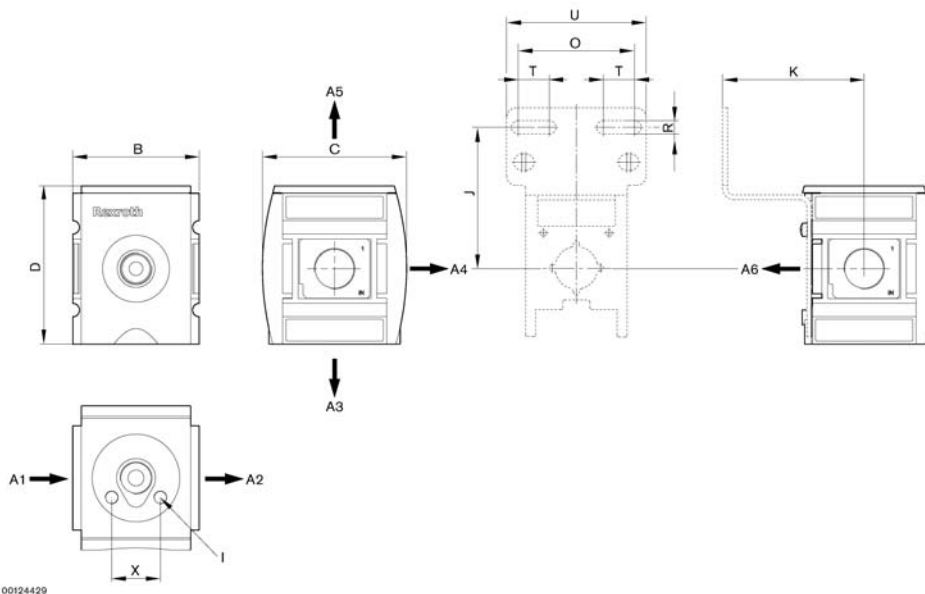
Suitable for flange assembly of a mechanical vacuum/pressure switch

➔ **Part no.**

Symbol	Threaded ports	Nominal flow Qn [SCFM]	Weight [lbs.]	Part no.
	3/8 NPTF	256 (A1-A2) 194 (A1-A3) 79 (A1-A4) 79 (A1-A5) 79 (A1-A6)	0.705	R432002003
	1/2 NPTF	256 (A1-A2) 194 (A1-A3) 79 (A1-A4) 79 (A1-A5) 79 (A1-A6)	0.705	R432002004

▲ **Accessories (to be ordered separately)**

Accessory	Part no.
Mechanical pressure switch, pabs = -13 ... 0 psi	0821100020
Mechanical pressure switch, p1 = 2 ... 43 psi	0821100021
Mechanical pressure switch, p1 = 15 ... 232 psi	0821100023
Mounting plate AS3-MBR-...-W01	R412007368
Mounting strap AS3-MBR-...-W03	R412007370
Block assembly kit AS3-MBR-...-W04	R412007371
Block assembly kit (3/8 inch) AS3-MBR-N038...-W05	R432002017
Block assembly kit (1/2 inch) AS3-MBR-N012...-W05	R432002018
Seals for pressure switch	R961400021



A1 A2	A3	A4 A6	A5	B	C	D	I	J	K	O	R	T	U	X
3/8 NPTF	1/2 NPTF	3/8 NPTF	1/4 NPTF	2.480	2.913	3.169	M5(10-32)	2.854	2.795	2.362	0.276	0.630	2.835	0.787
1/2 NPTF	1/2 NPTF	3/8 NPTF	1/4 NPTF	2.480	2.913	3.169	M5(10-32)	2.854	2.795	2.362	0.276	0.630	2.835	0.787

Dimensions in inches



	Page
AS2 Combination FR+L maintenance unit, metric	64
AS2 Combination F+R+L maintenance unit, metric	66
AS2 Pressure regulator, metric	68
AS2 Pressure regulator, manifold version, metric	70
AS2 Precision pressure regulator, metric	72
AS2 Precision pressure regulator, manifold version, metric	74
AS2 Filter regulator, metric	76
AS2 Standard filter, metric	78
AS2 Pre-filter, metric	80
AS2 Coalescing filter, metric	82
AS2 Active carbon filter, metric	84
AS2 Lubricator, metric	86
AS2 3/2 Dump valve, electrically operated, metric	88
AS2 3/2 Dump valve, pneumatically operated, metric	90
AS2 Manual shut-off valve, lockable option, metric	92
AS2 Filling valve (soft start), metric	93
AS2 Distributor block, metric	95
AS2 Mounting brackets and other accessories	124

Compr. air maintenance unit, series AS2-Metric

FR+L Maintenance unit AS2-ACD, 2-in-1, G 1/4 - G 3/8, ATEX approved

Rexroth
Bosch Group



Technical Data

Type	Filter Pressure regulator	Filter insert exchangeable Diaphragm-type pressure regulator with secondary air exhaust Regulator head lockable
	Lubricator	Standard oil-mist lubricator with automatic oil filling Fill level – sight glass with slotted screw adjustment for oil metering
		Can be filled with oil during operation
Supply pressure	Condensate drain	semi-automatic: 0.5 - 16 bar (7 - 232 psi) fully automatic : 1.5 - 16 bar (21 - 232 psi)
Secondary pressure		See table
Nominal flow	Q _n	See table
Secondary pressure = 6,3 bar (87 psi) and Δp = 1 bar (15 psi)		
Temperature range		-10° to +50 °C (14 °F to +122 °F) *
Medium		Compressed air
Weight		See table
Installation position		Vertical
Materials	Body Thread insert Reservoir Bowl guard Cover Filter element	PA MXD 6, seals Buna-N(NBR) Die-cast zinc Polycarbonate with bayonet catch PA ABS Cellpor (Polyethylene)
Reservoir capacity	Filter Lubricator	28 cm ³ (0.95 U.S. Fl.oz.) (semi-automatic) 40 cm ³ (1.69 U.S. Fl.oz.)
Filter porosity		5 μm
ATEX:	In zone 1 (gas-ex, category 2G) In zone 21 (dust-ex, category 2D) In zone 2 (gas-ex, category 3G) In zone 22 (dust-ex, category 3D)	



* with dried air

Filter for separating solid impurities up to 5 μm from compressed air and gases

For quality classes according to DIN ISO 8573-1

- Solid impurities: class 3

- Humidity - water content: class 8

Oil type: HL 68 (DIN 51 524 - ISO VG 68)

Standard values for oil metering: 1-2 drops / min at a nominal flow rate of Q_n = 1000 l / min (35.30 SCFM)

Plastic containers may only be cleaned with water, soap suds, and other similar, neutral agents.

▶ - semi and fully automatic condensate drain *

*either opened without pressure (NO) or closed without pressure (NC)

Part no.

Symbol	Threaded ports	Nominal flow Q _n [l/min] (SCFM)	Secondary pressure [bar](psi)	Options	Weight [kg](lbs.)	Part no. with pressure gauge
	G 1/4	1800 (64)	0,5 - 8 (7 - 116)	PC container with PA protective guard semi-automatic, without pressure: open	0,633 (1.4)	R412006298
	G 1/4	1800 (64)	1,5 - 8 (21 - 116)	PC container with PA protective guard fully automatic, without pressure: open	0,676 (1.49)	R412006299
	G 1/4	1800 (64)	0 - 8 (0 - 116)	PC container with PA protective guard fully automatic, without pressure: closed	0,676 (1.49)	R412006300
	G 3/8	2000 (71)	0,5 - 8 (7 - 116)	PC container with PA protective guard semi-automatic, without pressure: open	0,633 (1.4)	R412006307
	G 3/8	2000 (71)	1,5 - 8 (21 - 116)	PC container with PA protective guard fully automatic, without pressure: open	0,676 (1.49)	R412006308
	G 3/8	2000 (71)	0 - 8 (0 - 116)	PC container with PA protective guard fully automatic, without pressure: closed	0,676 (1.49)	R412006309

Accessories (to be ordered separately)

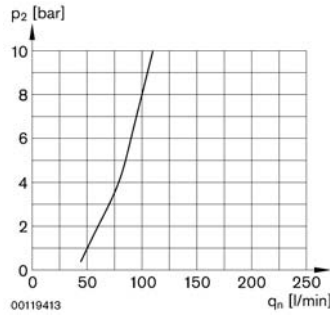
	Accessory	Part no.
	Spare parts kit: see filter pressure regulator valve AS2-FRE and normal mist lubricator AS2-CBS	
	Mounting plate AS2-MBR-...-W01	R412006368
	Mounting strap AS2-MBR-...-W03	R412006370
	Block assembly kit AS2-MBR-...-W04	R412006371
	Pneumatic oil, 1 liter	1829990046

Compr. air maintenance unit, series AS2-Metric

FR+L Maintenance unit AS2-ACD, 2-in-1, G 1/4 - G 3/8, ATEX approved

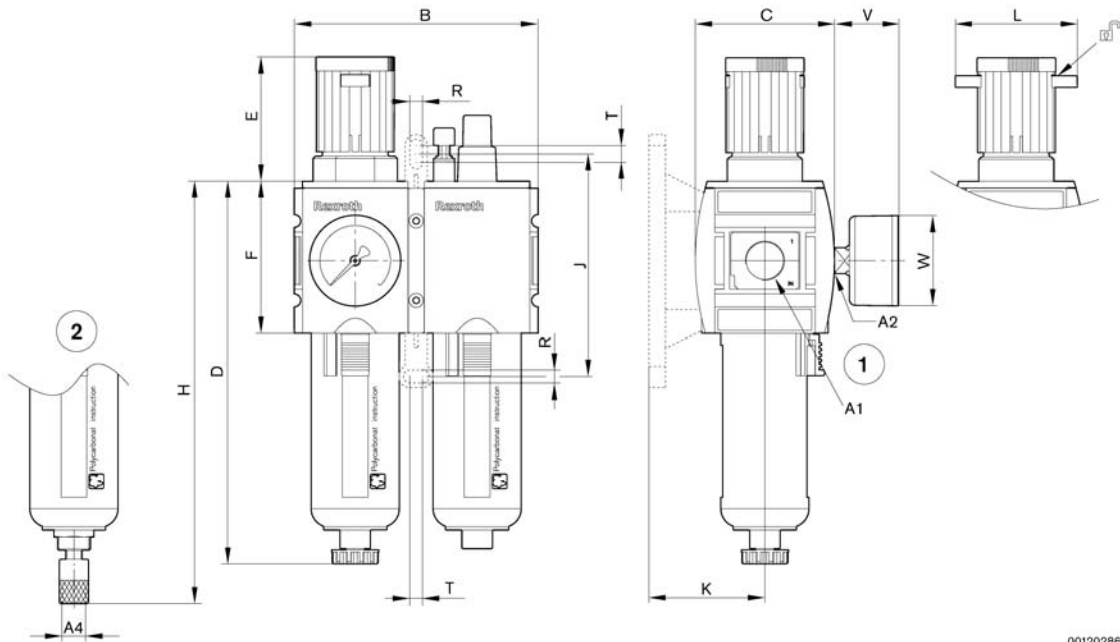
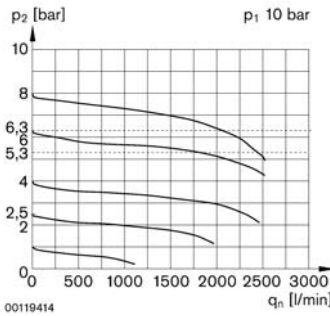


Lubrication activation margin



p_1 = Supply pressure; p_2 = Secondary pressure; q_n = Nominal flow;
 $q_{n.min.}$ = Min. nominal flow

Flow rate characteristic (setting p_2 : 0.5 to 8 bar) (7 to 145 psi)



00120286

- 1) Semi-automatic condensate drain
- 2) Fully automatic condensate drain

A1	A2	A4	B	C	D	E	F	H	J	K	L	R	T	V	W
G 1/4	G 1/4	G 1/8	104	59	163,5	53,2	65	180,5	95	49,4	52	5,4	7,3	35	50
G 3/8	G 1/4	G 1/8	104	59	163,5	53,2	65	180,5	95	49,4	52	5,4	7,3	35	50

Compr. air maintenance unit, series AS2-Metric

FR+L Maintenance unit AS2-ACT, 3-in-1, G 1/4 - G 3/8, ATEX approved

Rexroth
Bosch Group



Technical Data

Type	Filter Pressure regulator	Filter insert exchangeable Diaphragm-type pressure regulator with secondary air exhaust Lockable regulator head
	Lubricator	Standard oil-mist lubricator with automatic oil filling Fill level – sight glass with slotted screw adjustment for oil metering Can be filled with oil during operation
Supply pressure	Condensate drain	semi-automatic: 0.5 - 16 bar (7 - 232 psi) fully automatic : 1.5 - 16 bar (21 - 232 psi)
Secondary pressure		See table
Nominal flow	Q _n	See table
Secondary pressure = 6.3 bar (87 psi) and Δp = 1 bar (15 psi)		
Temperature range		-10° to +50 °C (14 °F to +122 °F) *
Medium		Compressed air
Weight		See table
Installation position		Vertical
Materials	Body Thread insert Reservoir Bowl guard Cover Filter element	PA MXD 6, seals Buna-N(NBR) Die-cast zinc Polycarbonate with bayonet catch PA ABS Cellpor (Polyethylene)
Reservoir capacity	Filter	28 cm ³ (0.95 U.S. Fl.oz.)
Filter porosity	Lubricator	40 cm ³ (1.69 U.S. Fl.oz.) 5 μm
ATEX:	In zone 1 (gas-ex, category 2G) In zone 21 (dust-ex, category 2D) In zone 2 (gas-ex, category 3G) In zone 22 (dust-ex, category 3D)	



* with dried air

Filter for separating solid impurities up to 5 μm from compressed air and gases

For quality classes according to DIN ISO 8573-1

- Solid impurities: class 3

- Humidity - water content: class 8

Oil type: HL 68 (DIN 51 524 - ISO VG 68)

Standard values for oil metering: 1-2 drops / min at a nominal flow rate of Q_n = 1000 l / min (35.30 SCFM)

Plastic containers may only be cleaned with water, soap suds, and other similar, neutral agents.

▶ - semi and fully automatic condensate drain*

* either opened without pressure (NO) or closed without pressure (NC)

Part no.

Symbol	Threaded ports	Nominal flow Q _n [l/min] (SCFM)	Secondary pressure [bar](psi)	Options	Weight [kg](lbs.)	Part no. with pressure gauge
	G 1/4	1400 (49)	0,5 - 8 (7 - 116)	PC container with PA protective guard semi-automatic, without pressure: open	0,780 (1.72)	R412006318
	G 1/4	1400 (49)	1,5 - 8 (21 - 116)	PC container with PA protective guard fully automatic, without pressure: open	0,825 (1.92)	R412006319
	G 1/4	1400 (49)	0 - 8 (0 - 116)	PC container with PA protective guard fully automatic, without pressure: closed	0,825 (1.92)	R412006320
	G 3/8	1600 (56)	0,5 - 8 (7 - 116)	PC container with PA protective guard semi-automatic, without pressure: open	0,780 (1.72)	R412006327
	G 3/8	1600 (56)	1,5 - 8 (21 - 116)	PC container with PA protective guard fully automatic, without pressure: open	0,825 (1.92)	R412006328
	G 3/8	1600 (56)	0 - 8 (0 - 116)	PC container with PA protective guard fully automatic, without pressure: closed	0,825 (1.92)	R412006329

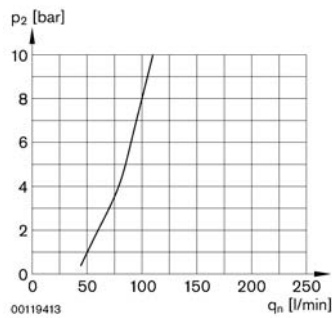
Accessories (to be ordered separately)

	Accessory	Part no.
	Spare parts kit: see filter pressure regulator valve AS2-FRE and normal mist lubricator AS2-CBS	
	Mounting plate AS2-MBR-...-W01	R412006368
	Mounting strap AS2-MBR-...-W03	R412006370
	Block assembly kit AS2-MBR-...-W04	R412006371
	Pneumatic oil, 1 liter	1829990046

Compr. air maintenance unit, series AS2-Metric

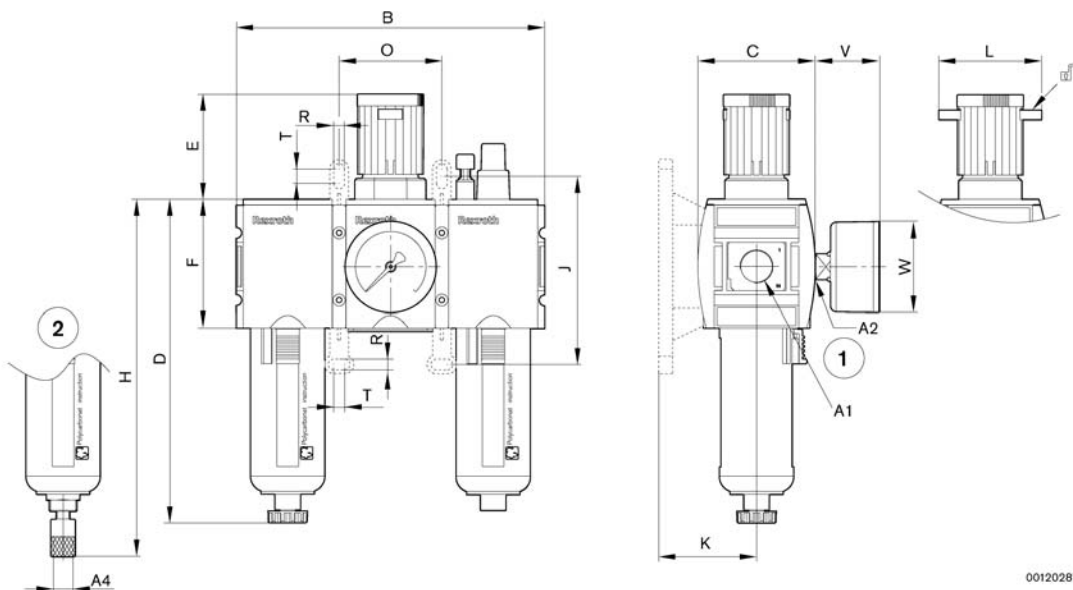
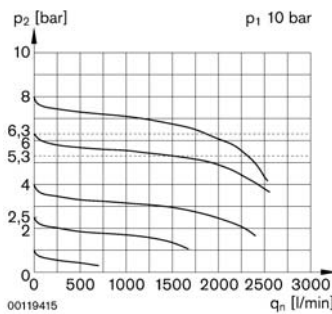
FR+L Maintenance unit AS2-ACT, 3-in-1, G 1/4 - G 3/8, ATEX approved

Lubrication activation margin



p_1 = Supply pressure; p_2 = Secondary pressure; q_n = Nominal flow;
 $q_{n.min.}$ = Min. nominal flow

Flow rate characteristic (setting range p_2 : 0.5 to 8 bar) (7 to 145 psi)



00120287

- 1) Semi-automatic condensate drain
- 2) Fully automatic condensate drain

A1	A2	A4	B	C	D	E	F	H	I	J	K	L	O	R	T	V	W
G 1/4	G 1/4	G 1/8	156	59	163,5	53,2	65	180,5	5,6	95	49,4	52	52	5,4	7,3	35	50
G 3/8	G 1/4	G 1/8	156	59	163,5	53,2	65	180,5	5,6	95	49,4	52	52	5,4	7,3	35	50

Compr. air maintenance unit, series AS2-Metric

Pressure regulator AS2-RGS, G 1/4 - G 3/8, ATEX approved

Rexroth
Bosch Group



Technical Data

Type	Diaphragm-type pressure regulator with secondary air exhaust Regulator head, lockable	
Supply pressure	16 bar (232 psi)	
Secondary pressure	See table	
Nominal flow Q_n	See table	
Secondary pressure = 6 bar (87 psi) and $\Delta p = 1$ bar (15 psi)		
Temperature range	-10° to +50 °C (14 °F to +122 °F) *	
Medium	Compressed air	
Weight	See table	
Installation position	any	
Materials	Body Thread insert	PA MXD 6, seals Buna-N(NBR) Die-cast zinc
ATEX	In zone 1 (gas-ex, category 2G) In zone 21 (dust-ex, category 2D) In zone 2 (gas-ex, category 3G) In zone 22 (dust-ex, category 3D)	



* with dried air

Part no.

Symbol	Threaded ports	Nominal flow Q_n [l/min](SCFM)	Secondary pressure [bar](psi)	Weight [kg](lbs.)	Part no. with pressure gauge
	G 1/4	2200 (78)	0,1 - 1 (1 - 14)	0,320 (0.71)	R412006101
	G 1/4	2200 (78)	0,1 - 2 (1 - 29)	0,320 (0.71)	R412006103
	G 1/4	2200 (78)	0,2 - 4 (2 - 58)	0,320 (0.71)	R412006105
	G 1/4	2200 (78)	0,5 - 8 (7 - 116)	0,320 (0.71)	R412006107
	G 1/4	2200 (78)	0,5 - 10 (7 - 145)	0,320 (0.71)	R412006109
	G 1/4	2200 (78)	0,5 - 16 (7 - 232)	0,320 (0.71)	R412006111
	G 3/8	2700 (95)	0,1 - 1 (1 - 14)	0,320 (0.71)	R412006113
	G 3/8	2700 (95)	0,1 - 2 (1 - 29)	0,320 (0.71)	R412006115
	G 3/8	2700 (95)	0,2 - 4 (2 - 58)	0,320 (0.71)	R412006117
	G 3/8	2700 (95)	0,5 - 8 (7 - 116)	0,320 (0.71)	R412006119
	G 3/8	2700 (95)	0,5 - 10 (7 - 145)	0,320 (0.71)	R412006121
	G 3/8	2700 (95)	0,5 - 16 (7 - 232)	0,320 (0.71)	R412006123

Part no.

Symbol	Threaded ports	Nominal flow Q_n [l/min](SCFM)	Secondary pressure [bar](psi)	Weight [kg](lbs.)	Part no. without pressure gauge
	G 1/4	2200 (78)	0,1 - 1 (1 - 14)	0,248 (0.55)	R412006100
	G 1/4	2200 (78)	0,1 - 2 (1 - 29)	0,248 (0.55)	R412006102
	G 1/4	2200 (78)	0,2 - 4 (2 - 58)	0,248 (0.55)	R412006104
	G 1/4	2200 (78)	0,5 - 8 (7 - 116)	0,248 (0.55)	R412006106
	G 1/4	2200 (78)	0,5 - 10 (7 - 145)	0,248 (0.55)	R412006108
	G 1/4	2200 (78)	0,5 - 16 (7 - 232)	0,248 (0.55)	R412006110
	G 3/8	2700 (95)	0,1 - 1 (1 - 14)	0,248 (0.55)	R412006112
	G 3/8	2700 (95)	0,1 - 2 (1 - 29)	0,248 (0.55)	R412006114
	G 3/8	2700 (95)	0,2 - 4 (2 - 58)	0,248 (0.55)	R412006116
	G 3/8	2700 (95)	0,5 - 8 (7 - 116)	0,248 (0.55)	R412006118
	G 3/8	2700 (95)	0,5 - 10 (7 - 145)	0,248 (0.55)	R412006120
	G 3/8	2700 (95)	0,5 - 16 (7 - 232)	0,248 (0.55)	R412006122

Accessories (to be ordered separately)

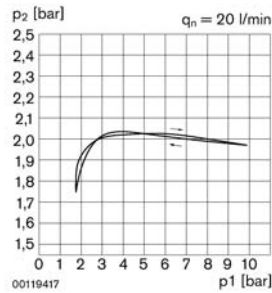
	Accessory	Part no.
	Pressure regulator valve seal kit	R961400030
	Mounting plate AS2-MBR-...-W01 (incl. 2 bolts)	R412006368
	Mounting strap AS2-MBR-...-W03	R412006370
	Block assembly kit AS2-MBR-...-W04	R412006371
	Pressure gauge Ø 50, G 1/4 *	R412004XXX

* see accessories

Compr. air maintenance unit, series AS2-Metric

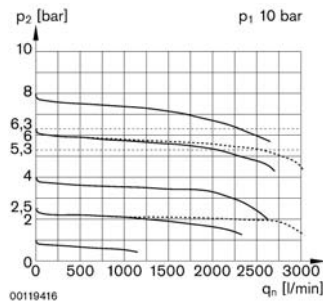
Pressure regulator AS2-RGS, G 1/4 - G 3/8, ATEX approved

Pressure characteristics curve

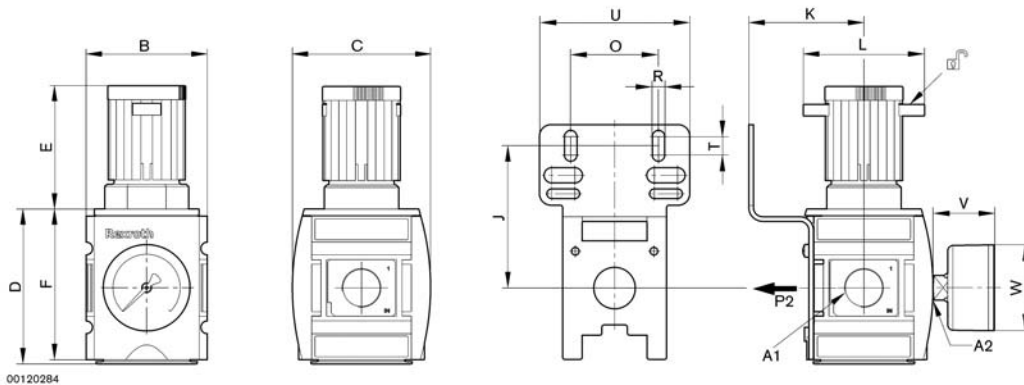


p_1 = Supply pressure; p_2 = Secondary pressure; q = Flow rate

Flow rate characteristic (setting range p_2 : 0.5 to 8 bar) (7 to 145 psi)



p_1 = Supply pressure; p_2 = Secondary pressure; q_n = Nominal flow



(mounting bracket not included, order separately)

A1	A2	B	C	D	E	F	J	K	L	O	R	T	U	V	W
G 1/4	G 1/4	52	59	66,8	57,9	65	61,8	49,4	52	38	5,4	10	65	35	50
G 3/8	G 1/4	52	59	66,8	57,9	65	61,8	49,4	52	38	5,4	10	65	35	50

Compr. air maintenance unit, series AS2-Metric

Pressure regulator AS2-RGS-...-DS, with continuous pressure supply,
G 1/4 - G 3/8, ATEX approved

Rexroth
Bosch Group



Technical Data

Type	Diaphragm-type pressure regulator with secondary air exhaust Lockable regulator head	
Supply pressure	16 bar (232 psi)	
Secondary pressure	See table	
Nominal flow Q_n	See table	
Secondary pressure = 6 bar (87 psi) and $\Delta p = 1$ bar (15 psi)		
Temperature range	-10° to +50 °C (14 °F to +122 °F) *	
Medium	Compressed air	
Weight	See table	
Installation position	Any	
Materials	Body Thread insert Cover	PA MXD 6, seals Buna-N(NBR) Die-cast zinc ABS
ATEX:	In zone 1 (gas-ex, category 2G) In zone 21 (dust-ex, category 2D) In zone 2 (gas-ex, category 3G) In zone 22 (dust-ex, category 3D)	

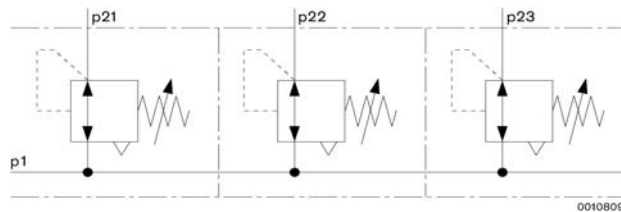


* with dried air

Possible to assemble multiple regulators providing continuous inlet pressure and individual regulated pressure outlets.

In the case of block assembly, only gauge with $\varnothing \leq 50$ can be used

Example of application



Part no.

Symbol	Threaded ports	Nominal flow Q_n [l/min](SCFM)	Secondary pressure [bar](psi)	Weight [kg](lbs.)	Part no. without pressure gauge
	G 1/4	2200 (78)	0,1 - 1 (1 - 14)	0,248 (0.55)	R412006124
	G 1/4	2200 (78)	0,1 - 2 (1 - 29)	0,248 (0.55)	R412006125
	G 1/4	2200 (78)	0,2 - 4 (2 - 58)	0,248 (0.55)	R412006126
	G 1/4	2200 (78)	0,5 - 8 (7 - 116)	0,248 (0.55)	R412006127
	G 1/4	2200 (78)	0,5 - 10 (7 - 145)	0,248 (0.55)	R412006128
	G 1/4	2200 (78)	0,5 - 10 (7 - 232)	0,248 (0.55)	R412006129
	G 3/8	2700 (95)	0,1 - 1 (1 - 14)	0,248 (0.55)	R412006130
	G 3/8	2700 (95)	0,1 - 2 (1 - 29)	0,248 (0.55)	R412006131
	G 3/8	2700 (95)	0,2 - 4 (2 - 58)	0,248 (0.55)	R412006132
	G 3/8	2700 (95)	0,5 - 8 (7 - 116)	0,248 (0.55)	R412006133
	G 3/8	2700 (95)	0,5 - 10 (7 - 145)	0,248 (0.55)	R412006134
	G 3/8	2700 (95)	0,5 - 16 (7 - 232)	0,248 (0.55)	R412006135

Accessories (to be ordered separately)

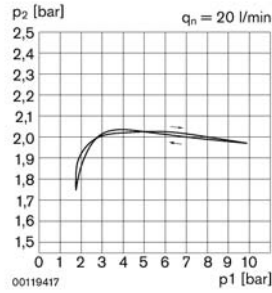
	Accessory	Part no.
	Pressure regulator valve seal kit	R961400030
	Mounting plate AS2-MBR-...-W01 (incl. 2 bolts)	R412006368
	Mounting strap AS2-MBR-...-W03	R412006370
	Block assembly kit AS2-MBR-...-W04	R412006371
	Pressure gauge $\varnothing 50$, G 1/4 *	R412004XXX

* see accessories

Compr. air maintenance unit, series AS2-Metric

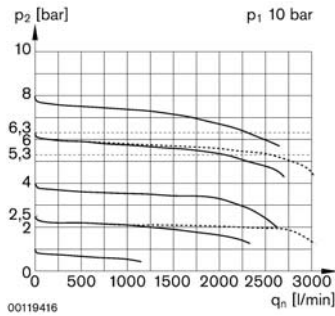
Pressure regulator AS2-RGS-...-DS, with continuous pressure supply,
G 1/4 - G 3/8, ATEX approved

Pressure characteristics curve

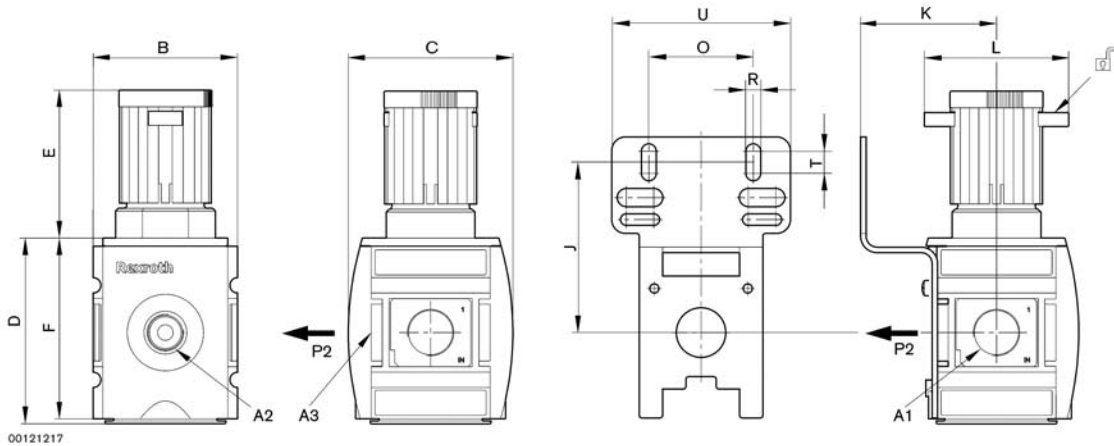


p_1 = Supply pressure; p_2 = Secondary pressure; q = Flow rate

Flow rate characteristic (setting range p_2 : 0.5 to 10 bar) (7 to 145 psi)



p_1 = Supply pressure; p_2 = Secondary pressure; q_n = Nominal flow



(mounting bracket not included, order separately)

p_2 = Secondary pressure

A1	A2	A3	B	C	D	E	F	J	K	L	O	R	T	U
G 1/4	G 1/4	G 1/4	52	59	66,8	57,9	65	61,8	49,4	52	38	5,4	10	65
G 3/8	G 1/4	G 3/8	52	59	66,8	57,9	65	61,8	49,4	52	38	5,4	10	65

Compr. air maintenance unit, series AS2-Metric

Precision pressure regulator AS2-RGP, G 1/4 - G 3/8, ATEX approved

Rexroth
Bosch Group



Technical Data

Type	Diaphragm-type pressure regulator with secondary air exhaust Lockable regulator head	
Supply pressure	16 bar (232 psi)	
Secondary pressure	See table	
Nominal flow Q_n	See table	
Secondary pressure = 6 bar (87 psi) and $\Delta p = 1$ bar (15 psi)		
Temperature range	-10° to +50 °C (14 °F to +122 °F) *	
Medium	Compressed air	
Weight	See table	
Installation position	Any	
Materials	Body Thread insert Cover	PA MXD 6, seals Buna-N(NBR) Die-cast zinc ABS
ATEX:	In zone 1 (gas-ex, category 2G) In zone 21 (dust-ex, category 2D) In zone 2 (gas-ex, category 3G) In zone 22 (dust-ex, category 3D)	



* with dried air

Continuous air consumption = 2,6 NI / min (0.09 SCFM), depends on secondary pressure $p_2 = 6$ bar (87 psi)

Part no.

Symbol	Threaded ports	Nominal flow Q_n [l/min](SCFM)	Secondary pressure [bar](psi)	Weight [kg](lbs.)	Part no. with pressure gauge
	G 1/4	2200 (78)	0,1 - 1 (1 - 14)	0,320 (0.71)	R412006137
	G 1/4	2200 (78)	0,1 - 2 (1 - 29)	0,320 (0.71)	R412006139
	G 1/4	2200 (78)	0,2 - 4 (2 - 58)	0,320 (0.71)	R412006141
	G 1/4	2200 (78)	0,5 - 8 (7 - 116)	0,320 (0.71)	R412006143
	G 1/4	2200 (78)	0,5 - 10 (7 - 145)	0,320 (0.71)	R412006145
	G 3/8	2700 (95)	0,1 - 1 (1 - 14)	0,320 (0.71)	R412006149
	G 3/8	2700 (95)	0,1 - 2 (1 - 29)	0,320 (0.71)	R412006151
	G 3/8	2700 (95)	0,2 - 4 (2 - 58)	0,320 (0.71)	R412006153
	G 3/8	2700 (95)	0,5 - 8 (7 - 116)	0,320 (0.71)	R412006155
	G 3/8	2700 (95)	0,5 - 10 (7 - 145)	0,320 (0.71)	R412006157

Part no.

Symbol	Threaded ports	Nominal flow Q_n [l/min](SCFM)	Secondary pressure [bar](psi)	Weight [kg](lbs.)	Part no. without pressure gauge
	G 1/4	2200 (78)	0,1 - 1 (1 - 14)	0,248 (0.55)	R412006136
	G 1/4	2200 (78)	0,1 - 2 (1 - 29)	0,248 (0.55)	R412006138
	G 1/4	2200 (78)	0,2 - 4 (2 - 58)	0,248 (0.55)	R412006140
	G 1/4	2200 (78)	0,5 - 8 (7 - 116)	0,248 (0.55)	R412006142
	G 1/4	2200 (78)	0,5 - 10 (7 - 145)	0,248 (0.55)	R412006144
	G 3/8	2700 (95)	0,1 - 1 (1 - 14)	0,248 (0.55)	R412006148
	G 3/8	2700 (95)	0,1 - 2 (1 - 29)	0,248 (0.55)	R412006150
	G 3/8	2700 (95)	0,2 - 4 (2 - 58)	0,248 (0.55)	R412006152
	G 3/8	2700 (95)	0,5 - 8 (7 - 116)	0,248 (0.55)	R412006154
	G 3/8	2700 (95)	0,5 - 10 (7 - 145)	0,248 (0.55)	R412006156

Accessories (to be ordered separately)

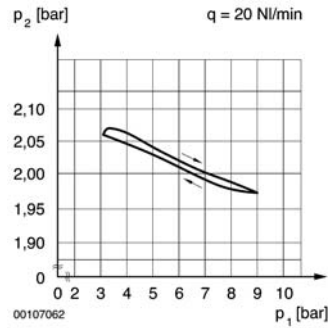
	Accessory	Part no.
	Pressure regulator valve seal kit	R961400031
	Mounting plate AS2-MBR-...-W01	R412006368
	Mounting strap AS2-MBR-...-W03	R412006370
	Block assembly kit AS2-MBR-...-W04	R412006371
	Pressure gauge Ø 50, G 1/4 *	R412004XXX

* see accessories

Compr. air maintenance unit, series AS2

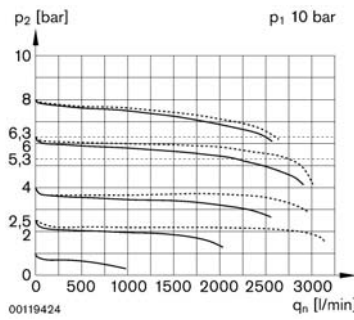
Precision pressure regulator AS2-RGP, G 1/4 - G 3/8, ATEX approved

Pressure characteristics curve

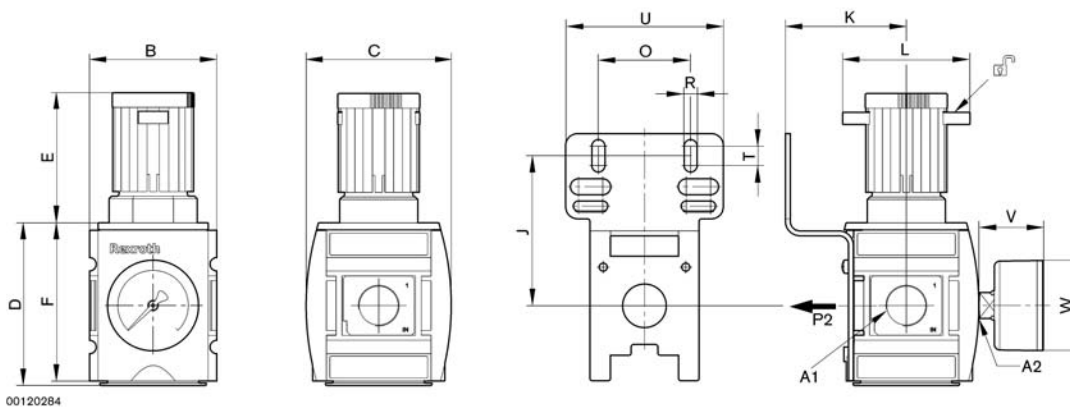


p_1 = Supply pressure; p_2 = Secondary pressure; q = Flow rate

Flow rate characteristic (setting range p_2 : 0.5 to 8 bar / 7 to 145 psi)



p_1 = Supply pressure; p_2 = Secondary pressure; q_n = Nominal flow



(mounting bracket not included, order separately)

A1	A2	B	C	D	E	F	J	K	L	O	R	T	U	V	W
G 1/4	G 1/4	52	59	66,8	53,2	65	61,8	49,4	52	38	5,4	10	65	35	50
G 3/8	G 1/4	52	59	66,8	53,2	65	61,8	49,4	52	38	5,4	10	65	35	50

Compr. air maintenance unit, series AS2-Metric

Precision pressure regulator AS2-RGP-...-DS, with continuous pressure supply, G 1/4 - G 3/8, ATEX approved

Rexroth
Bosch Group



Technical Data

Type	Diaphragm-type pressure regulator with secondary air exhaust Lockable regulator head	
Supply pressure	16 bar (232 psi)	
Secondary pressure	See table	
Nominal flow Q_n	See table	
Secondary pressure = 6 bar (87 psi) and $\Delta p = 1$ bar (15 psi)		
Temperature range	-10° to +50 °C (14 °F to +122 °F) *	
Medium	Compressed air	
Weight	See table	
Installation position	Any	
Materials	Body Thread insert Cover	PA MXD 6, seals Buna-N(NBR) Die-cast zinc ABS
ATEX:	In zone 1 (gas-ex, category 2G) In zone 21 (dust-ex, category 2D) In zone 2 (gas-ex, category 3G) In zone 22 (dust-ex, category 3D)	



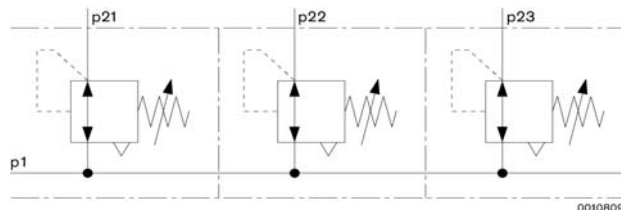
* with dried air

Continuous air consumption = 2,6 NI / min (0.09 SCFM), depends on secondary pressure $p_2 = 6$ bar (87 psi)

Possible to assemble multiple regulators providing continuous inlet pressure and individual regulated pressure outlets.

In the case of block assembly, only gauge with $\varnothing \leq 50$ can be used

Example of application



Part no.

Symbol	Threaded ports	Nominal flow Q_n [l/min](SCFM)	Secondary pressure [bar](psi)	Weight [kg](lbs.)	Part no. without pressure gauge
	G 1/4	2200 (78)	0,1 - 1 (1 - 14)	0,248 (0.55)	R412006160
	G 1/4	2200 (78)	0,1 - 2 (1 - 29)	0,248 (0.55)	R412006161
	G 1/4	2200 (78)	0,2 - 4 (2 - 58)	0,248 (0.55)	R412006162
	G 1/4	2200 (78)	0,5 - 8 (7 - 116)	0,248 (0.55)	R412006163
	G 1/4	2200 (78)	0,5 - 10 (7 - 145)	0,248 (0.55)	R412006164
	G 3/8	2700 (95)	0,1 - 1 (1 - 14)	0,248 (0.55)	R412006166
	G 3/8	2700 (95)	0,1 - 2 (1 - 29)	0,248 (0.55)	R412006167
	G 3/8	2700 (95)	0,2 - 4 (2 - 58)	0,248 (0.55)	R412006168
	G 3/8	2700 (95)	0,5 - 8 (7 - 116)	0,248 (0.55)	R412006169
	G 3/8	2700 (95)	0,5 - 10 (7 - 145)	0,248 (0.55)	R412006170

Accessories (to be ordered separately)

Accessory	Part no.
Pressure regulator valve seal kit	R961400031
Mounting plate AS2-MBR-...-W01	R412006368
Mounting strap AS2-MBR-...-W03	R412006370
Block assembly kit AS2-MBR-...-W04	R412006371
Pressure gauge $\varnothing 50$, G 1/4 *	R412004XXX

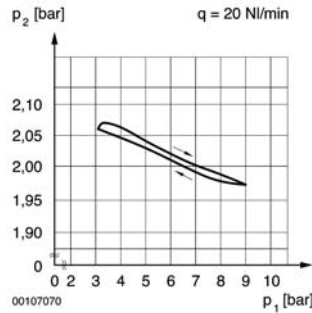
* see accessories

Compr. air maintenance unit, series AS2-Metric

Precision pressure regulator AS2-RGP-...-DS, with continuous pressure supply, G 1/4 - G 3/8, ATEX approved

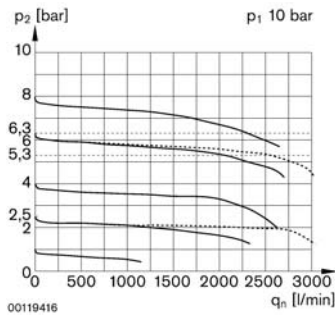


Pressure characteristics curve

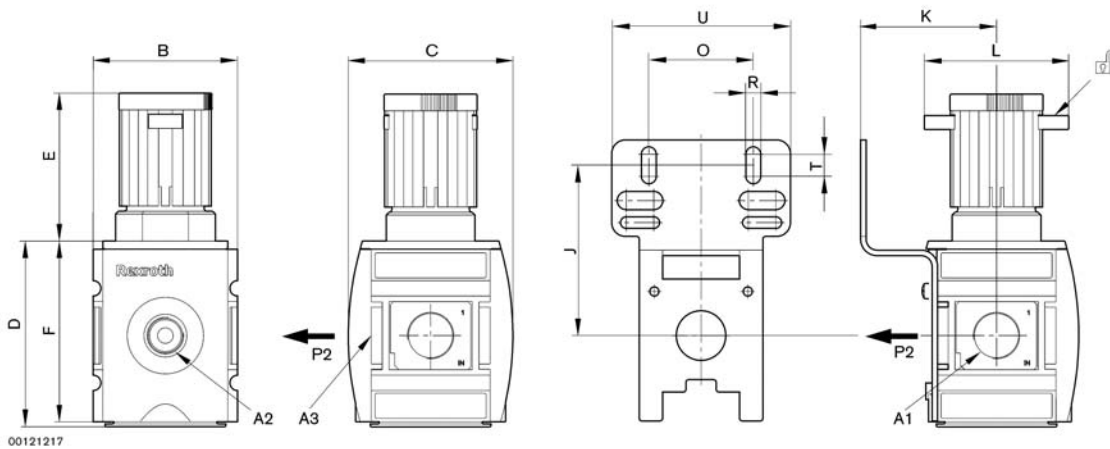


p_1 = Supply pressure; p_2 = Secondary pressure; q = Flow rate

Flow rate characteristic (setting range p_2 : 0.5 to 8 bar / 7 to 145 psi)



p_1 = Supply pressure; p_2 = Secondary pressure; q_n = Nominal flow



(mounting bracket not included, order separately)

p_2 = Secondary pressure

A1	A2	A3	B	C	D	E	F	J	K	L	O	R	T	U
G 1/4	G 1/4	G 1/4	52	59	66,8	53,2	65	61,8	49,4	52	38	5,4	10	65
G 3/8	G 1/4	G 3/8	52	59	66,8	53,2	65	61,8	49,4	52	38	5,4	10	65

Compr. air maintenance unit, series AS2-Metric

Filter regulator AS2-FRE, G 1/4 - G 3/8, ATEX approved

Rexroth
Bosch Group



Technical Data		
Type	Filter Pressure regulator	Filter insert exchangeable Diaphragm-type pressure regulator with secondary air exhaust Lockable regulator head
Supply pressure	Condensate drain	semi-automatic: 0.5 - 16 bar (7 - 232 psi) fully automatic : 1.5 - 16 bar (21 - 232 psi)
Secondary pressure		See table
Nominal flow	Q _n	See table
Secondary pressure = 6,3 bar (87 psi) and Δp = 1 bar (15 psi)		
Ambient temperature		-10°C to +50 °C (14 °F to +122 °F) *
Medium		Compressed air
Weight		See table
Installation position		Vertical
Materials	Body Thread insert Reservoir Bowl guard Cover Filter element	PA MXD 6, seals Buna-N(NBR) Die-cast zinc Polycarbonate with bayonet catch PA ABS Cellpor (Polyethylene)
Reservoir capacity		28 cm ³ (with semi-automatic)
Filter porosity		5 μm
ATEX:	In zone 1 (gas-ex, category 2G) In zone 21 (dust-ex, category 2D) In zone 2 (gas-ex, category 3G) In zone 22 (dust-ex, category 3D)	



* with dried air

Filter for separating solid impurities up to 5 μm from compressed air and gases

For quality classes according to DIN ISO 8573-1

- Solid impurities: class 3

- Humidity - water content: class 8

Plastic containers may only be cleaned with water, soap suds, and other similar, neutral agents.

Part no.

Symbol	Threaded ports	Nominal flow Q _n [l/min] (SCFM)	Secondary pressure [bar](psi)	Options	Weight [kg](lbs.)	Part no. with pressure gauge
	G 1/4	2000 (71)	0,5 - 8 (7 - 116)	PC container with PA protective guard semi-automatic, w/out pressure: open	0,394 (0.87)	R412006200
	G 1/4	2000 (71)	1,5 - 8 (21 - 116)	PC container with PA protective guard fully automatic, w/out pressure: open	0,437 (0.96)	R412006201
	G 1/4	2000 (71)	0 - 8 (0 - 116)	PC container with PA protective guard fully automatic, w/out pressure: closed	0,437 (0.96)	R412006202
	G 3/8	2600 (92)	0,5 - 8 (7 - 116)	PC container with PA protective guard semi-automatic, w/out pressure: open	0,437 (0.96)	R412006209
	G 3/8	2600 (92)	1,5 - 8 (21 - 116)	PC container with PA protective guard fully automatic, w/out pressure: open	0,437 (0.96)	R412006210
	G 3/8	2600 (92)	0 - 8 (0 - 116)	PC container with PA protective guard fully automatic, w/out pressure: closed	0,437 (0.96)	R412006211

Part no.

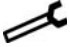
Symbol	Threaded ports	Nominal flow Q _n [l/min] (SCFM)	Secondary pressure [bar](psi)	Options	Weight [kg](lbs.)	Part no. without pressure gauge
	G 1/4	2000 (71)	0,5 - 8 (7 - 116)	PC container with PA protective guard semi-automatic, w/out pressure: open	0,304 (0.67)	R412006175
	G 1/4	2000 (71)	1,5 - 8 (21 - 116)	PC container with PA protective guard fully automatic, w/out pressure: open	0,347 (0.77)	R412006176
	G 1/4	2000 (71)	0 - 8 (0 - 116)	PC container with PA protective guard fully automatic, w/out pressure: closed	0,347 (0.77)	R412006177
	G 3/8	2600 (92)	0,5 - 8 (7 - 116)	PC container with PA protective guard semi-automatic, w/out pressure: open	0,347 (0.77)	R412006184
	G 3/8	2600 (92)	1,5 - 8 (21 - 116)	PC container with PA protective guard fully automatic, w/out pressure: open	0,347 (0.77)	R412006185
	G 3/8	2600 (92)	0 - 8 (0 - 116)	PC container with PA protective guard fully automatic, w/out pressure: closed	0,347 (0.77)	R412006186

Compr. air maintenance unit, series AS2-Metric

Filter regulator AS2-FRE, G 1/4 - G 3/8, ATEX approved

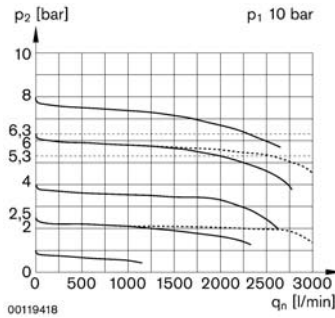


▲ Accessories (to be ordered separately)

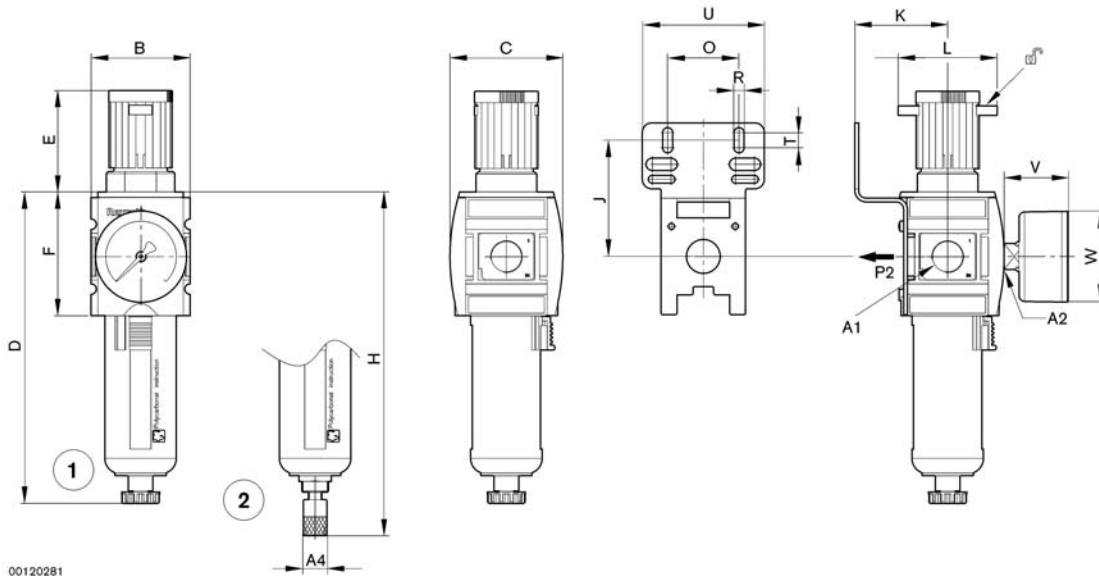
	Accessory	Part no.
	Filter reservoir AS2-CLS *	R4120063XX
	Filter insert, 5 µm	1829207061
	Pressure regulator valve seal kit	R961400030
	Compression spring	R461400036
	Mounting plate AS2-MBR-...-W01	R412006368
	Mounting strap AS2-MBR-...-W03	R412006370
	Block assembly kit AS2-MBR-...-W04	R412006371

* see accessories

Pressure characteristics curve



p_1 = Supply pressure; p_2 = Secondary pressure; q_n = Nominal flow; q = Flow rate



(mounting bracket not included, order separately)

- 1) Semi-automatic condensate drain
- 2) Fully automatic condensate drain

A1	A2	A4	B	C	D	E	F	H	J	K	L	O	R	T	U	V	W
G 1/4	G 1/4	G 1/8	52	59	163,5	53,2	65	180,5	61,8	49,4	52	38	5,4	10	65	35	50
G 3/8	G 1/4	G 1/8	52	59	163,5	53,2	180,5	65	61,8	49,4	52	38	5,4	10	65	35	50

Compr. air maintenance unit, series AS2-Metric

Standard filter AS2-FLS, G 1/4 - G 3/8, ATEX approved

Rexroth
Bosch Group



Technical Data

Type	Filter insert exchangeable	
Supply pressure	See table	
Ambient temperature	-10°C to +50 °C (14 °F to +122 °F) *	
Medium	Compressed air	
Weight	See table	
Installation position	vertical	
Materials	Body Thread insert Reservoir Bowl guard Cover Filter element	PA MXD 6, seals Buna-N(NBR) Die-cast zinc Polycarbonate with bayonet catch PA ABS Cellpor (Polyethylene)
Reservoir capacity	28 cm ³ (0.95 U.S. Fl. oz.)	
Filter porosity	5 µm	
ATEX:	In zone 1 (gas-ex, category 2G) In zone 21 (dust-ex, category 2D) In zone 2 (gas-ex, category 3G) In zone 22 (dust-ex, category 3D)	



* with dried air

Filter for separating solid impurities up to 5 µm from compressed air and gases

For quality classes according to DIN ISO 8573-1

- Solid impurities: class 3

- Humidity - water content: class 8

Optionally with a semi or fully automatic condensate drain

Condensate drain opened without pressure or closed without pressure.

Plastic containers may only be cleaned with water, soap suds, and other similar, neutral agents.

Part no.

Symbol	Threaded ports	Nominal flow Q _n [l/min] (SCFM)	Supply pressure [bar](psi)	Options	Weight [kg](lbs.)	Part no.
	G 1/4	2200 (78)	0,5 - 16 (7 - 232)	PC container with PA protective guard semi-automatic, w/out pressure: open	0,212 (0.47)	R412006000
	G 1/4	2200 (78)	1,5 - 16 (21 - 232)	PC container with PA protective guard fully automatic, w/out pressure: open	0,255 (0.56)	R412006001
	G 1/4	2200 (78)	0 - 16 (0 - 232)	PC container with PA protective guard fully automatic, w/out pressure: closed	0,255 (0.56)	R412006002
	G 3/8	2400 (85)	0,5 - 16 (7 - 232)	PC container with PA protective guard semi-automatic, w/out pressure: open	0,212 (0.47)	R412006009
	G 3/8	2400 (85)	1,5 - 16 (21 - 232)	PC container with PA protective guard fully automatic, w/out pressure: open	0,255 (0.56)	R412006010
	G 3/8	2400 (85)	0 - 16 (0 - 232)	PC container with PA protective guard fully automatic, w/out pressure: closed	0,255 (0.56)	R412006011

Accessories (to be ordered separately)

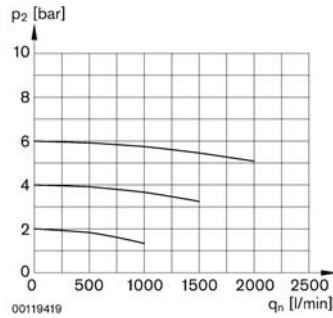
	Accessory	Part no.
	Filter reservoir AS2-CLS *	R4120063XX
	Filter insert, 5 µm	1829207061
	Mounting plate AS2-MBR-...-W01	R412006368
	Mounting strap AS2-MBR-...-W03	R412006370
	Block assembly kit AS2-MBR-...-W04	R412006371

* see accessories

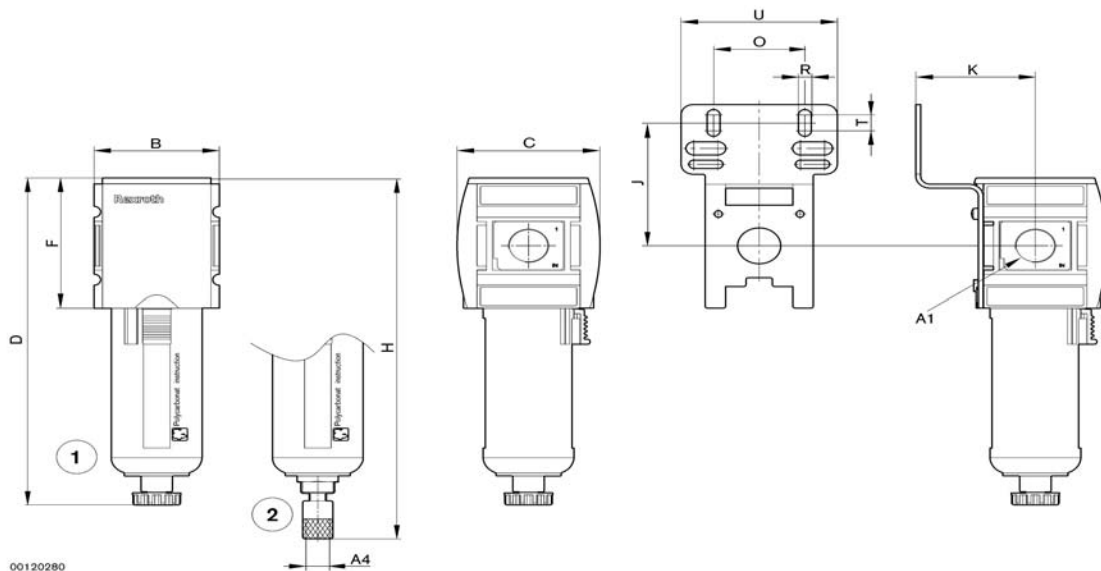
Compr. air maintenance unit, series AS2-Metric

Standard filter AS2-FLS, G 1/4 - G 3/8, ATEX approved

Flow rate characteristic



p₁ = Supply pressure; p₂ = Secondary pressure; q_n = Nominal flow



(mounting bracket not included, order separately)

- 1) Semi-automatic condensate drain
- 2) Fully automatic condensate drain

A1	A4	B	C	D	F	H	J	K	O	R	T	U
G 1/4	G 1/8	52	59	163,5	65	180,5	61,8	49,4	38	5,4	10	65
G 3/8	G 1/8	52	59	163,5	65	180,5	61,8	49,4	38	5,4	10	65

Compr. air maintenance unit, series AS2-Metric

Pre-filter AS2-FLP, G 1/4 - G 3/8, ATEX approved

Rexroth
Bosch Group



Technical Data

Type	Pre-filter insert exchangeable	
Supply pressure	See table	
Temperature range	-10°C to +50 °C (14 °F to +122 °F) *	
Medium	Compressed air	
Weight	See table	
Installation position	vertical	
Materials	Body	PA MXD 6, seals Buna-N(NBR)
	Thread insert	Die-cast zinc
	Reservoir	Polycarbonate with bayonet catch
	Bowl guard	PA
	Cover	ABS
	Filter element	Impregnated paper
Reservoir capacity	12 cm ³ (0.4 U.S. Fl. oz.) (with semi-automatic)	
Filter porosity	0,3 µm	
ATEX:	In zone 1 (gas-ex, category 2G) In zone 21 (dust-ex, category 2D) In zone 2 (gas-ex, category 3G) In zone 22 (dust-ex, category 3D)	



* with dried air

Pre-filter for separating solid impurities up to 0.3 µm from compressed air and gases
The filter element should be exchanged if there is an increase of Δp by max. 0.35 bar (5 psi) or once a year.

Dust separation = 99.99 %

For quality classes according to DIN ISO 8573-1

- Solid impurities: class 2

- Humidity - water content: class 8

Plastic containers may only be cleaned with water, soap suds, and other similar, neutral agents.

Part no.

Symbol	Threaded ports	Nominal flow Q_n [l/min] (SCFM)	Supply pressure [bar](psi)	Options	Weight [kg](lbs.)	Part no.
	G 1/4	250 (9)	0,5 - 16 (7 - 232)	PC container with PA protective guard semi-automatic, w/out pressure: open	0,220 (0.49)	R412006018
	G 1/4	250 (9)	1,5 - 16 (21 - 232)	PC container with PA protective guard fully automatic, w/out pressure: open	0,263 (0.58)	R412006019
	G 1/4	250 (9)	0 - 16 (0 - 232)	PC container with PA protective guard fully automatic, w/out pressure: closed	0,263 (0.58)	R412006020
	G 3/8	250 (9)	0,5 - 16 (7 - 232)	PC container with PA protective guard semi-automatic, w/out pressure: open	0,263 (0.58)	R412006027
	G 3/8	250 (9)	1,5 - 16 (21 - 232)	PC container with PA protective guard fully automatic, w/out pressure: open	0,263 (0.58)	R412006028
	G 3/8	250 (9)	0 - 16 (0 - 232)	PC container with PA protective guard fully automatic, w/out pressure: closed	0,263 (0.58)	R412006029

1) At $p_1 = 7$ bar (102 psi)

2) $\Delta p = 0,02$ bar (0.3 psi)

$$Q = Q_n \times f \quad (f = \text{Correction factor for various supply pressures } p_1)$$

		p ₁															
[bar]		1	2	3	4	5	6	7	8	9	10	11	12	13	14	15	16
[psi]		14	29	43	58	72	87	101	116	130	145	159	174	188	203	217	232
f		0,25	0,38	0,5	0,65	0,75	0,88	1	1,13	1,25	1,38	1,5	1,63	1,75	1,88	2	2,13

Accessories (to be ordered separately)

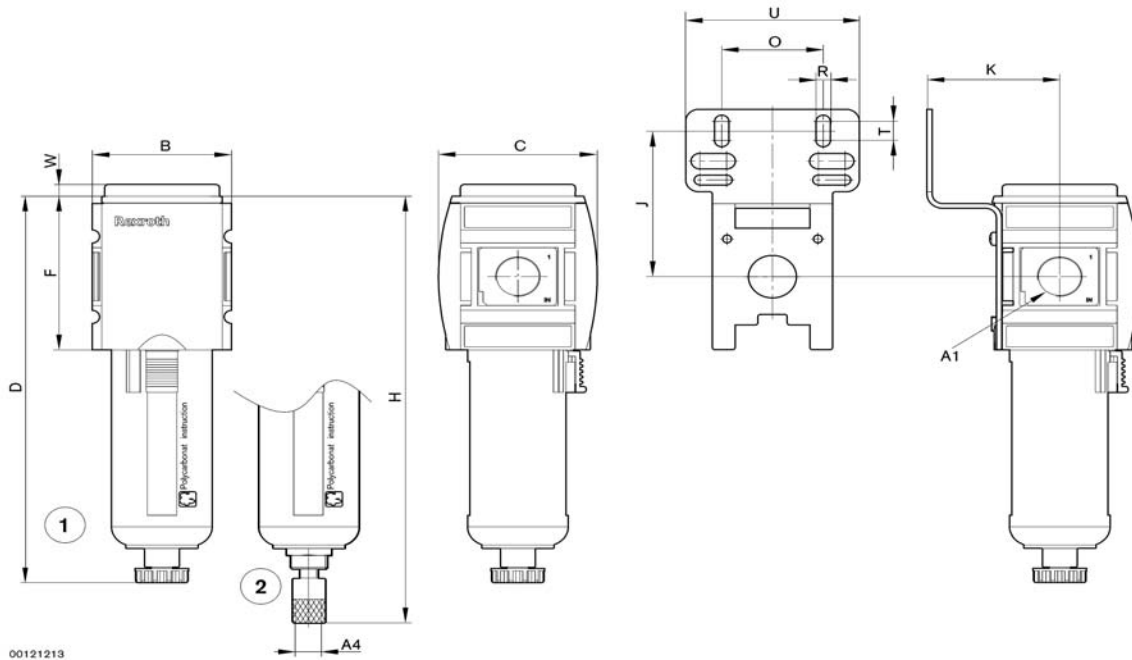
	Accessory	Part no.
	Pre-filter reservoir AS2-CLS *	R412006XXX
	Filter element for automatic operation	1829207047
	Filter element for semi-automatic operation	R961400025
	Mounting plate AS2-MBR-...-W01	R412006368
	Mounting strap AS2-MBR-...-W03	R412006370
	Block assembly kit AS2-MBR-...-W04	R412006371

* see accessories

Compr. air maintenance unit, series AS2-Metric

Pre-filter AS2-FLP, G 1/4 - G 3/8, ATEX approved

Rexroth
Bosch Group



(mounting bracket not included, order separately)

- 1) Semi-automatic condensate drain
- 2) Fully automatic condensate drain

A1	A4	B	C	D	F	H	J	K	O	R	T	U	W
G 1/4	G 1/8	52	59	163,5	65	180,5	61,8	49,4	38	5,4	10	65	5
G 3/8	G 1/8	52	59	163,5	65	180,5	61,8	49,4	38	5,4	10	65	5

Compr. air maintenance unit, series AS2-Metric

Coalescing filter AS2-FLC, G 1/4 - G 3/8, ATEX approved

Rexroth
Bosch Group



Technical Data

Type	Micro-filter insert exchangeable	
Supply pressure	See table	
Temperature range	-10 °C to +50 °C (14 °F to +122 °F) *	
Medium	Compressed air	
Weight	See table	
Installation position	vertical	
Materials	Body Thread insert Reservoir Bowl guard Cover Filter element	PA MXD 6, seals Buna-N(NBR) Die-cast zinc Polycarbonate with bayonet catch PA ABS Borsilicate glass fibre
Reservoir capacity	12 cm ³ (0.4 U.S. Fl. oz.)	
Filter porosity	0.01 µm	
ATEX:	In zone 1 (gas-ex, category 2G) In zone 21 (dust-ex, category 2D) In zone 2 (gas-ex, category 3G) In zone 22 (dust-ex, category 3D)	
Standard	NFE 49004	



* with dried air

Micro filter for the separation of oil, water and solid impurities of up to 0.01 µm from compressed air and gases

For quality classes according to DIN ISO 8573-1

- Solid impurities: class 1

- Oil content: class 1

The filter element must be replaced after a pressure rise Δp of max. 0,35 bar (5 psi) or once a year.

Filter is resistant to mineral oils and synthetic oils

Oil separation, residual oil content < 0.01 mg/m³ at t = 20 °C (68 °F) and p₁ = 7 bar (102 psi)

Plastic containers may only be cleaned with water, soap suds, and other similar, neutral agents.

Part no.

Symbol	Threaded ports	Nominal flow Q _n [l/min] (SCFM) 1) 2)	Supply pressure [bar](psi)	Options	Weight [kg](lbs.)	Part no.
	G 1/4	280 (10)	0,5 - 16 (7 - 232)	PC container with PA protective guard without contamination display semi-automatic, without pressure: open	0,220 (0.49)	R412006036
	G 1/4	280 (10)	1,5 - 16 (21 - 232)	PC container with PA protective guard without contamination display fully automatic, without pressure: open	0,263 (0.58)	R412006037
	G 1/4	280 (10)	0 - 16 (0 - 232)	PC container with PA protective guard without contamination display fully automatic, without pressure: closed	0,263 (0.58)	R412006038
	G 3/8	280 (10)	0,5 - 16 (7 - 232)	PC container with PA protective guard without contamination display semi-automatic, without pressure: open	0,220 (0.58)	R412006045
	G 3/8	280 (10)	1,5 - 16 (21 - 232)	PC container with PA protective guard without contamination display fully automatic, without pressure: open	0,263 (0.58)	R412006046
	G 3/8	280 (10)	0 - 16 (0 - 232)	PC container with PA protective guard without contamination display fully automatic, without pressure: closed	0,263 (0.58)	R412006047

1) At p₁ = 7 bar (102 psi)

2) Δp = 0,09 bar (1.3 psi)

Q = Q_n x f (f = Correction factor for various supply pressures p₁)

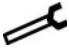
[bar]	p ₁															
	1	2	3	4	5	6	7	8	9	10	11	12	13	14	15	16
[psi]	14	29	43	58	72	87	101	116	130	145	159	174	188	203	217	232
f	0,25	0,38	0,5	0,65	0,75	0,88	1	1,13	1,25	1,38	1,5	1,63	1,75	1,88	2	2,13

Compr. air maintenance unit, series AS2-Metric

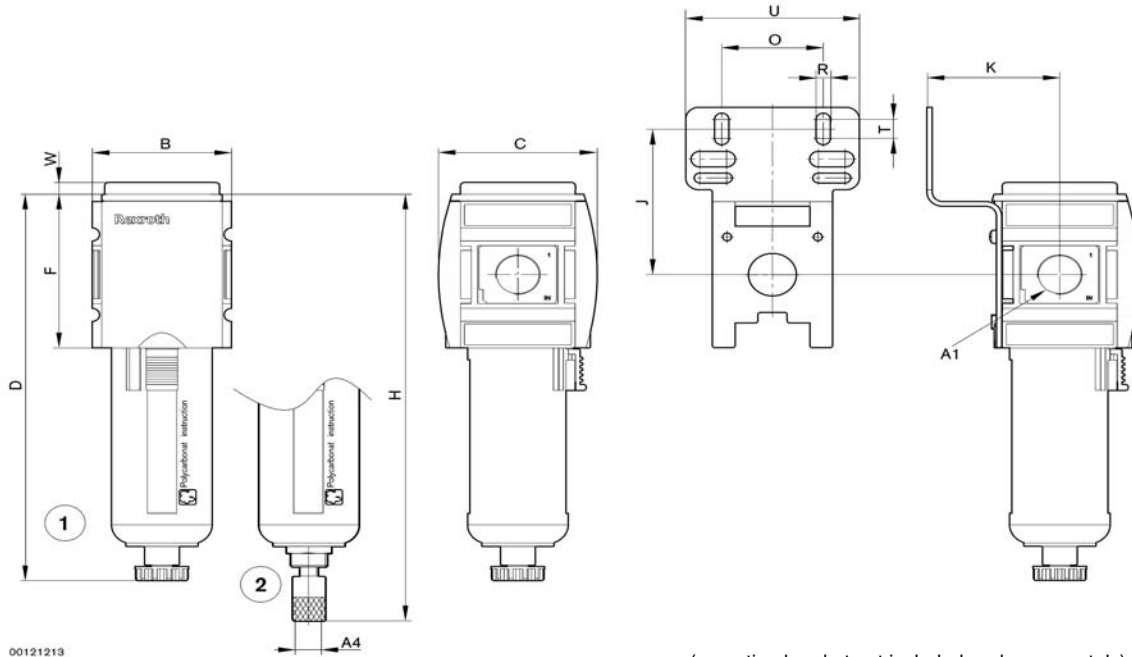
Coalescing filter AS2-FLC, G 1/4 - G 3/8, ATEX approved

Rexroth
Bosch Group

▲ Accessories (to be ordered separately)

	Accessory	Part no.
	Microfilter reservoir AS2-CLS *	R412006XXX
	Filter element for fully automatic operation	R961400026
	Filter element for semi-automatic operation	R961400027
	Mounting plate AS2-MBR-...-W01	R412006368
	Mounting strap AS2-MBR-...-W03	R412006370
	Block assembly kit AS2-MBR-...-W04	R412006371

* see accessories



- 1) Semi-automatic condensate drain
2) Fully automatic condensate drain

A1	A4	B	C	D	F	H	J	K	O	R	T	U	W
G 1/4	G 1/8	52	59	163,5	65	180,5	61,8	49,4	38	5,4	10	65	5
G 3/8	G 1/8	52	59	163,5	65	180,5	61,8	49,4	38	5,4	10	65	5

Compr. air maintenance unit, series AS2-Metric

Active carbon filter AS2-FLA, G 1/4 - G 3/8, ATEX approved

Rexroth
Bosch Group



Technical Data

Type	Filter insert exchangeable	
Supply pressure	See table	
Temperature range	-10 °C to +50 °C (14 °F to +122 °F) *	
Medium	Compressed air	
Weight	See table	
Installation position	vertical	
Materials	Body Thread insert Reservoir Bowl guard Filter element Cover	PA MXD 6, seals Buna-N(NBR) Die-cast zinc Polycarbonate with bayonet catch PA Active carbon ABS
Reservoir capacity	12 cm ³ (0.4 U.S Fl. oz.)	
ATEX:	In zone 1 (gas-ex, category 2G) In zone 21 (dust-ex, category 2D) In zone 2 (gas-ex, category 3G) In zone 22 (dust-ex, category 3D)	



* with dried air

Active carbon filter for absorption of oil vapor in compressed air and gases

For quality classes according to DIN ISO 8573-1

- Solid impurities: class 3

- Humidity - water content: class 8

- Oil content: class 1

Oil separation, residual oil content < 0.005 mg/m³ at t = 20 °C (68 °F) and p1 = 7 bar (102 psi)

A micro filter must be connected upstream as a prefilter

Part no.

Symbol	Threaded ports	Nominal flow Q _n [l/min](SCFM) 1)2)	Supply pressure [bar](psi)	Weight [kg](lbs.)	Part no.
	G 1/4	500 (18)	0 - 16 (0 - 232)	0,220 (0.49)	R412006072
	G 3/8	500 (18)	0 - 16 (0 - 232)	0,220 (0.49)	R412006075

1) At p1 = 7 bar (102 psi)

2) Δp = 0,2 bar (3 psi)

Q = Q_n x f (f = Correction factor for various supply pressures p1)

[bar]	p1															
	1	2	3	4	5	6	7	8	9	10	11	12	13	14	15	16
[psi]	14	29	43	58	72	87	101	116	130	145	159	174	188	203	217	232
f	0,25	0,38	0,5	0,65	0,75	0,88	1	1,13	1,25	1,38	1,5	1,63	1,75	1,88	2	2,13

Accessories (to be ordered separately)

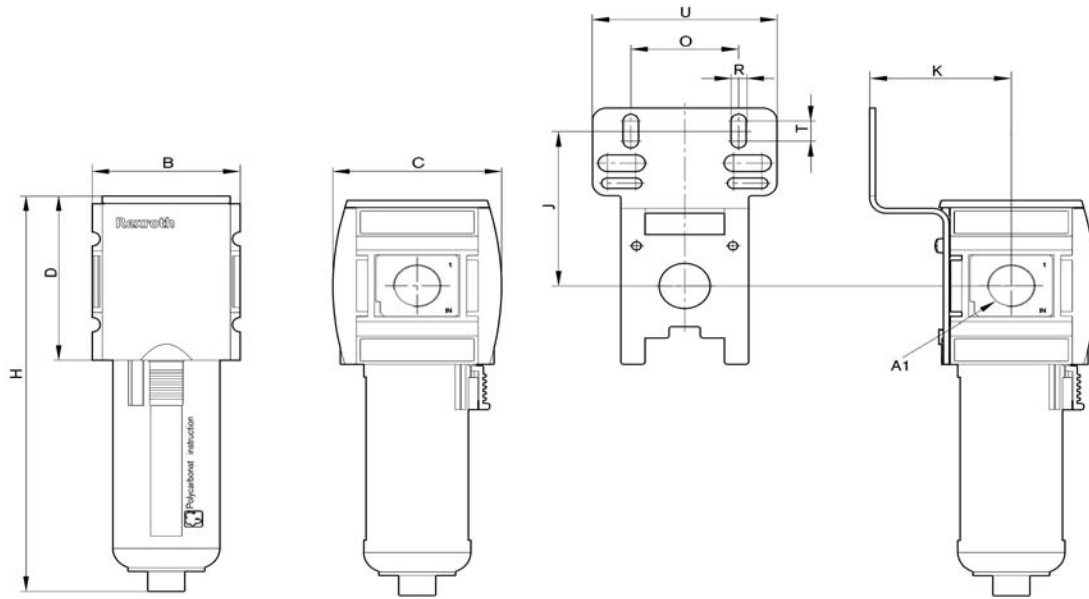
	Accessory	Part no.
	Active carbon filter reservoir AS2-CLA *	R412006347
	Active carbon filter insert, Q _n = 380 NI / min (13.41 SCFM)	1829207044
	Mounting plate AS2-MBR-...-W01	R412006368
	Mounting strap AS2-MBR-...-W03	R412006370
	Block assembly kit AS2-MBR-...-W04	R412006371

* see accessories

Compr. air maintenance unit, series AS2-Metric

Active carbon filter AS2-FLA, G 1/4 - G 3/8, ATEX approved

Rexroth
Bosch Group



00121210

(mounting bracket not included, order separately)

A1	B	C	D	H	J	K	O	R	T	U
G 1/4	52	59	65	157	61,8	49,5	38	5,4	10	65
G 3/8	52	59	65	157	61,8	49,5	38	5,4	10	65

Compr. air maintenance unit, series AS2-Metric

Normal mist lubricator AS2-LBS, with automatic oil filling, G 1/4 - G 3/8, ATEX approved

Rexroth
Bosch Group



Technical Data

Type	Inspection glass with slotted screw for oil metering Can be filled with oil during operation	
Supply pressure	See table	
Temperature range	-10 °C to +50 °C (14 °F to +122 °F) *	
Medium	Compressed air	
Weight	See table	
Installation position	vertical	
Materials	Body Thread insert Reservoir Bowl guard Seal	PA MXD 6, seals Buna-N(NBR) Die-cast zinc Polycarbonate with bayonet catch PA ABS
Reservoir capacity	40 cm ³ (1.69 U.S. Fl. oz.)	
ATEX:	In zone 1 (gas-ex, category 2G) In zone 21 (dust-ex, category 2D) In zone 2 (gas-ex, category 3G) In zone 22 (dust-ex, category 3D)	



* with dried air

Oil type: HL 68 (DIN 51 524 - ISO VG 68)

Standard values for oil metering: 1-2 drops / min at a nominal flow rate of $Q_n = 1000 \text{ NI} / \text{min}$ (35.30 SCFM)

Plastic containers may only be cleaned with water, soap suds, and other similar, neutral agents.

The unit is equipped with an automatic oil filling (standard). A threaded connector is located in the lower section of the container that can be used to connect a hose to the oil tank.

Pressing the oil top-up button opens a Venturi nozzle that provides a vacuum in the upper section of the container. This suctions the oil into the container.

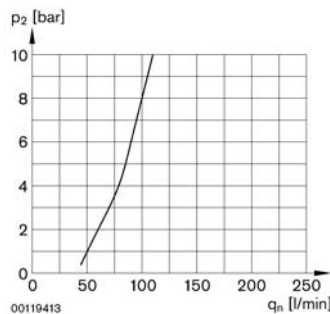
Part no.

Symbol	Threaded ports	Nominal flow Q_n [l/min] (SCFM)	Supply pressure [bar](psi)	Options	Weight [kg](lbs.)	Part no.
	G 1/4	2800 (99)	0,5 - 16 (7 - 232)	PC container with PA protective guard	0,229 (0.5)	R412006225
	G 3/8	3100 (109)	0,5 - 16 (7 - 232)	PC container with PA protective guard	0,229 (0.5)	R412006231

Accessories (to be ordered separately)

	Accessory	Part no.
	Normal-mist lubricator reservoir AS2-CBS *	R412006352
	Lubricator metering set, polycarbonate	R961400032
	Pneumatic oil, 1 litre	1829990046
	Mounting plate AS2-MBR-...-W01	R412006368
	Mounting strap AS2-MBR-...-W03	R412006370
	Block assembly kit AS2-MBR-...-W04	R412006371

Lubrication activation margin

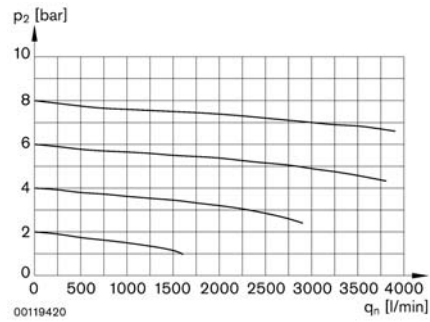


p_2 = Secondary pressure; $q_{n \text{ min.}}$ = Min. nominal flow

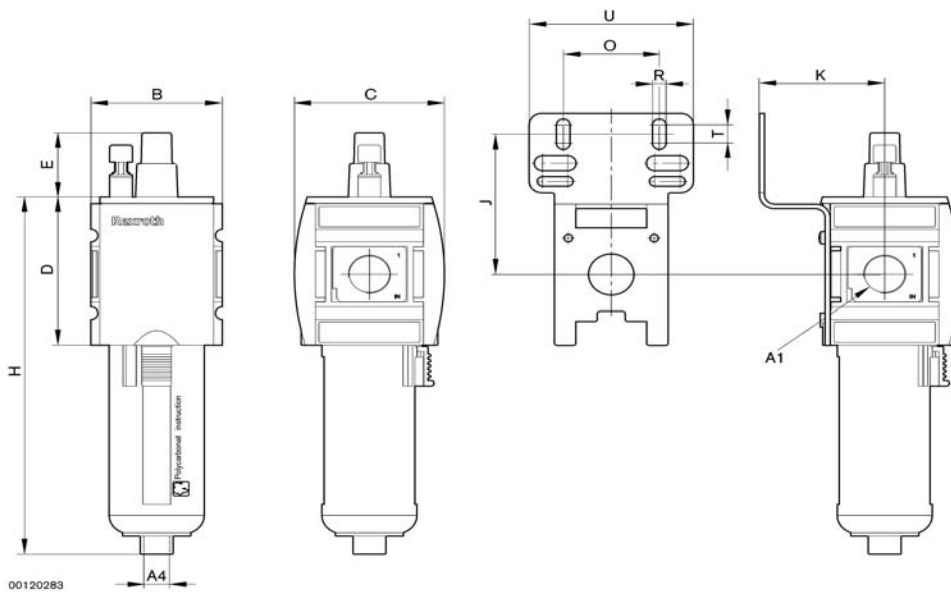
Compr. air maintenance unit, series AS2-Metric

Normal mist lubricator AS2-LBS, with automatic oil filling, G 1/4 - G 3/8, ATEX approved

Flow rate characteristic



p_1 = Supply pressure; p_2 = Secondary pressure; q_n = Nominal flow



(mounting bracket not included, order separately)

A1	A4	B	C	D	E	H	J	K	O	R	T	U
G 1/4	G 1/8	52	59	65	28,2	157	61,8	49,4	38	5,4	10	65
G 3/8	G 1/8	52	59	65	28,2	157	61,8	49,4	38	5,4	10	65

Compr. air maintenance unit, series AS2-Metric

3/2 directional-control valve AS2-SOV, electrically operated, G 1/4 - G 3/8

Rexroth
Bosch Group



Technical Data

Type	Poppet valve
Working pressure	0 to 10 bar
Nominal flow Q _n	see table
Secondary pressure	6,3 bar (87 psi) and Δp=1 bar (15 psi)
Ambient temperature	-10 °C to +50 °C (14 °F to +122 °F) *
Medium	Compressed air
Weight	see table
Pickup power with AC 50 Hz	2,2 VA
Holding power with AC 50 Hz	1,6 VA
Power consumption with DC	2 W
Relative switch-on duration	100 %
Protection class (DIN 40 050)	IP 00 (NEMA1) / IP 65 (NEMA4)
with/without electrical connector	any
Installation position:	any
Materials (body)	PA MXD 6, seals Buna-N(NBR)
Thread bushing	Die-cast zinc
Cover	ABS



* with dried air

Version:

Cut-off and sequencing valve with unrestricted cross-section.

Two switch positions: a) Basic position: input closed, output ventilated; b) Operated: input and output connected, exhaust closed.

Connection via electrical connector shape C, DIN 43 650.

Please observe note regarding compressed air preparation!

Part no.

Symbol	Threaded ports	Nominal flow Q _n [l/min](SCFM)	With options	Weight [kg](lbs.)	Part no.
	G 1/4	1800 (64)	Electrically operated; without pilot valve	0,219 (0.48)	R412006264
	G 1/4	1800 (64)	Electrical operation; with solenoid coil 24 V=	0,219 (0.48)	R412006265
	G 1/4	1800 (64)	Electrically operated; with 110 V ~/50 Hz coil	0,219 (0.48)	R412006266
	G 1/4	1800 (64)	Electrically operated; with 240 V ~/50 Hz coil	0,219 (0.48)	R412006267
	G 3/8	2000 (71)	Electrically operated; without pilot valve	0,219 (0.48)	R412006268
	G 3/8	2000 (71)	Electrical operation; with solenoid coil 24 V=	0,219 (0.48)	R412006269
	G 3/8	2000 (71)	Electrically operated; with 110 V ~/50 Hz coil	0,219 (0.48)	R412006270
	G 3/8	2000 (71)	Electrically operated; with 240 V ~/50 Hz coil	0,219 (0.48)	R412006271

Accessories (to be ordered separately)

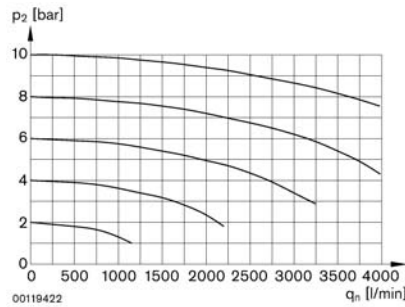
Accessory	Part no.
Silencer: sintered bronze (short)	1827000033
Silencer: sintered bronze (long)	R412004817
Connector, shape C, DIN 43 650	1834484187
Connector, shape C, with LED and protective circuit *	1834484XXX
Mounting strap AS2-MBR-...-W03	R412006370
Mounting plate AS2-MBR-...-W01 (incl. 2 screws)	R412006368
Block assembly kit AS2-MBR-...-W04	R412006371
Pilot valves *	0820048XXX

* see Chapter 6, DO16 series

Compr. air maintenance unit, series AS2-Metric

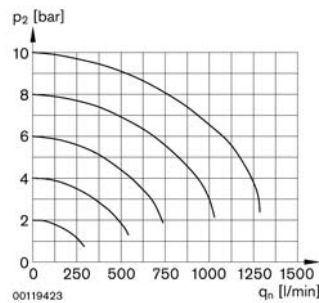
3/2 directional-control valve AS2-SOV, electrically operated, G 1/4 - G 3/8

Flow rate characteristic



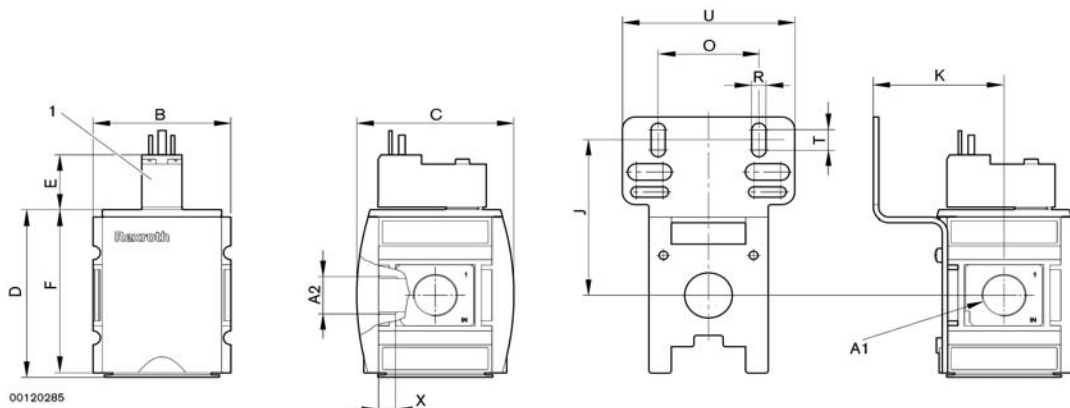
p2 = secondary pressure
qn = nominal flow

Rear exhaust



p2 = secondary pressure
qn = nominal flow

Drawing



(mounting bracket not included, order separately)

1) Pilot valve

A1	A2 *	B	C	D	E	F	J	K	O	R	T	U	X
G 1/4	G 1/4	52	59	66,8	21,9	65	61,8	49,4	38	5,4	10	65	10
G 3/8	G 1/4	52	59	66,8	21,9	65	61,8	49,4	38	5,4	10	65	10

* Exhaust

Compr. air maintenance unit, series AS2-Metric

3/2 directional-control valve AS2-SOV, pneumatically operated, G 1/4 - G 3/8, ATEX approved



Technical Data

Type	Poppet valve
Working pressure	0 to 10 bar
Nominal flow Q_n	see table
Secondary pressure	6,3 bar (87 psi) and $\Delta p = 1$ bar (15 psi)
Ambient temperature	-10 °C to +50 °C (14 °F to +122 °F) *
Medium	Compressed air
Weight	see table
Installation position	any
Protection class (DIN 40 050) with / without electrical connector	IP 00 (NEMA1) / IP 65 (NEMA4)

Materials (body)	PA MXD 6, seals Buna-N(NBR)
Thread bushing	Die-cast zinc
Cover	ABS

ATEX:	In zone 1 (gas-ex, category 2G) In zone 21 (dust-ex, category 2D) In zone 2 (gas-ex, category 3G) In zone 22 (dust-ex, category 3D)
-------	--

* with dried air

Version:

Cut-off and sequencing valve with unrestricted cross-section.

Two switch positions: a) Basic position: input closed, output ventilated; b) Operated: input and output connected, exhaust closed.

Please observe note regarding compressed air preparation!



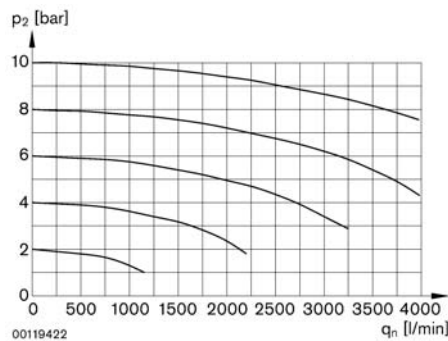
Part no.

Symbol	Threaded ports	Nominal flow Q_n [l / min](SCFM)	With options	Weight [kg](lbs.)	Part no.
	G 1/4	1800 (64)	Change-over valve / shut-off valve pneumatically operated	0,219 (0.49)	R412006262
	G 3/8	2000 (71)	Change-over valve / shut-off valve pneumatically operated	0,219 (0.49)	R412006263

Accessories (to be ordered separately)

Accessory	Part no.
Silencer: sintered bronze (short)	R412004817
Mounting strap AS2-MBR-...-W03	R412006370
Mounting plate AS2-MBR-...-W01	R412006368
Block assembly kit AS2-MBR-...-W04	R412006371

Flow rate characteristic

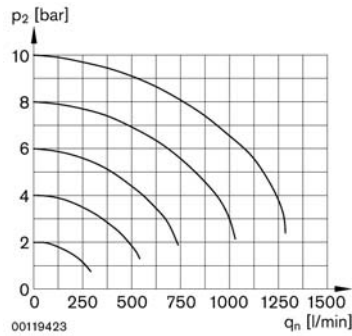


p2 = secondary pressure
qn = nominal flow

Compr. air maintenance unit, series AS2-Metric

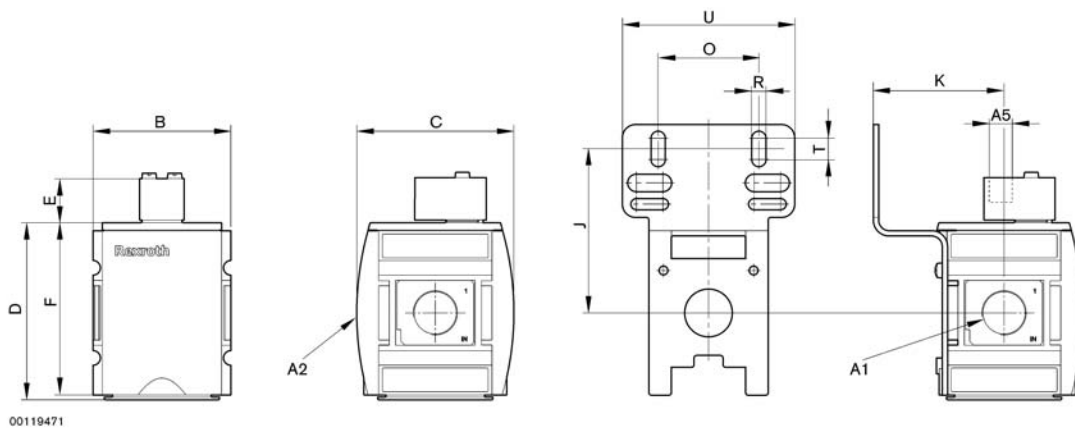
3/2 directional-control valve AS2-SOV, pneumatically operated, G 1/4 - G 3/8, ATEX approved

Rear exhaust



p₂ = secondary pressure
q_n = nominal flow

Drawing



(mounting bracket not included, order separately)

A1	A2 *	A5	B	C	D	E	F	J	K	O	R	T	U	X
G 1/4	G 1/4	G 1/8	52	59	66,8	17	65	61,8	49,4	38	5,4	10	65	10
G 3/8	G 1/4	G 1/8	52	59	66,8	17	65	61,8	49,4	38	5,4	10	65	10

* Exhaust

Compr. air maintenance unit, series AS2-Metric

3/2-way shut-off valve (ball valve) AS2-BAV, mechanically operated, lockable option, G 1/4 - G 3/8, ATEX approved



Technical Data

Type	3/2 directional-control valve, operated by a knob, 3-fold lockable	
Nominal flow	See table	
Secondary pressure = 6,3 bar (87 psi) and $\Delta p = 1$ bar (15 psi)		
Ambient temperature	-10°C to +50 °C (14 °F to +122 °F) *	
Medium	Compressed air	
Weight	See table	
Installation position	any	
Materials	Body	PA MXD 6, seals Buna-N(NBR)
	Thread bushing	Die-cast zinc
	Cover	ABS
	Lockable slide plate	Zinc plated steel
ATEX:	In zone 1 (gas-ex, category 2G) In zone 21 (dust-ex, category 2D) In zone 2 (gas-ex, category 3G) In zone 22 (dust-ex, category 3D)	



* with dried air

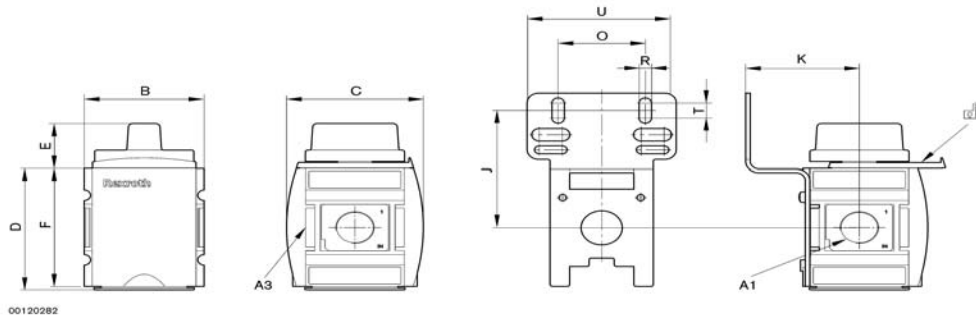
Knob, can be turned 90° (Open-Closed) and can be locked in both positions with a padlock
Knob with switch position display: crosswise: inlet closed, outlet to exhaust; lengthways: inlet and outlet connected, air exhaust closed
Exhaust air can be seized (G1/4)
Air exhaust from connection A to R: nominal size 1.5

Part no.

Symbol	Threaded ports	Nominal flow Q_n [l/min] (SCFM)	Weight [kg](lbs.)	Part no.
	G 1/4	3000 (106)	0,206 (0.45)	R412006256 (lockable) R412006252 (non-locking)
	G 3/8	3000 (106)	0,206 (0.45)	R412006257 (lockable) R412006253 (non-locking)

Accessories (to be ordered separately)

Accessories	Part no.
Pneumatic silencer (short)	R412004817
Mounting plate AS2-MBR-...-W01	R412006368
Block assembly kit AS2-MBR-...-W04	R412006371
Mounting strap AS2-MBR-...-W03	R412006370



(mounting bracket not included, order separately)

A1	A3	B	C	D	E	F	J	K	O	R	T	U
G 1/4	G 1/4	52	59	63,8	23,5	62	61,8	49,4	38	5,4	10	65
G 3/8	G 1/4	52	59	63,8	23,5	62	61,8	49,4	38	5,4	10	65

Compr. air maintenance unit, series AS2-Metric

Filling valve (soft start) AS2-SSV, G 1/4 - G 3/8, ATEX approved



Technical Data

Type	Poppet valve	
Operating pressure	2.5 to 16 bar (36 to 232 psi)	
Nominal flow Q_n	see table	
Secondary pressure	6,3 bar (87 psi) and $\Delta p = 1$ bar (15 psi)	
Ambient temperature	-10°C to +50 °C (14 °F to +122 °F) *	
Medium	Compressed air	
Weight	see table	
Installation position	any	
Materials (body)	PA MXD 6	
Threaded bushing	Die-cast zinc (chromized and black stove enamelled)	
Cover	ABS	
ATEX:	In zone 1 (gas-ex, category 2G) In zone 21 (dust-ex, category 2D) In zone 2 (gas-ex, category 3G) In zone 22 (dust-ex, category 3D)	



* with dried air



Version:

Opening pressure: approx. 50% of input pressure

Actuating method: via secondary pressure

Only for closed systems

Please observe note regarding compressed air preparation!

Additionally technical data: see 3/2 directional-control valve AS 2 and filling valve AS 2

Slowly builds up the pressure in pneumatic installations, i.e. prevents sudden pressure build-up after a restart following mains pressure failure or EMERGENCY OFF, thus preventing dangerous, sudden cylinder movements.



Part no.

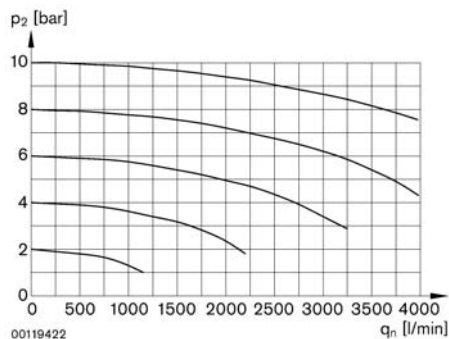
Symbol	Threaded ports	Nominal flow Q_n [l / min](SCFM)	With options	Weight [kg](lbs.)	Part no.
	G 1/4	2300 (81)	Filling adjustable	0,203 (0.45)	R412006272
	G 3/8	2300 (81)	Filling adjustable	0,203 (0.45)	R412006273



Accessories (to be ordered separately)

	Accessory	Part no.
	Mounting plate AS2-MBR-...-W01	R412006368
	Mounting strap AS2-MBR-...-W03	R412006370
	Block assembly kit AS2-MBR-...-W04	R412006371

Flow rate characteristic

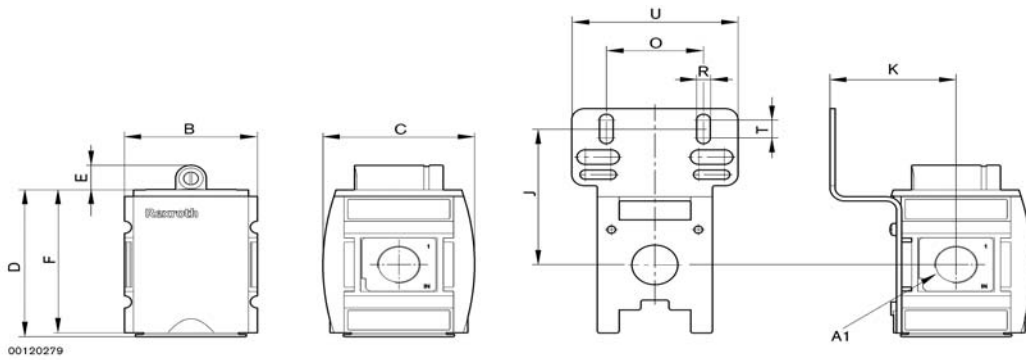


p2 = secondary pressure
qn = nominal flow

Compr. air maintenance unit, series AS2-Metric

Filling valve (soft start) AS2-SSV, G 1/4 - G 3/8, ATEX approved

Rexroth
Bosch Group



(mounting bracket not included, order separately)

A1	B	C	D	E	F	J	K	O	R	T	U
G 1/4	52	59	66,8	11,2	65	61,8	49,4	38	5,4	10	65
G 3/8	52	59	66,8	11,2	65	61,8	49,4	38	5,4	10	65

Compr. air maintenance unit, series AS2-Metric

Distributor block AS2-DIS, 3-way, G 1/4 - G 3/8, ATEX approved

Rexroth
Bosch Group



Technical Data

Nominal flow Q_n	See table
Secondary pressure = 6,3 bar (87 psi) and $\Delta p = 1$ bar (15 psi)	
Ambient temperature range	-10 °C to +50 °C (14 °F to +122 °F) *
Medium	Compressed air
Weight	See table
Installation position	any

Materials	Body Threaded insert Cover	PA MXD 6, seals Buna-N(NBR) Zn-die cast ABS
-----------	----------------------------------	---

ATEX:	In zone 1 (gas-ex, category 2G) In zone 21 (dust-ex, category 2D) In zone 2 (gas-ex, category 3G) In zone 22 (dust-ex, category 3D)
-------	--



Suitable for flange assembly of a mechanical vacuum/pressure switch

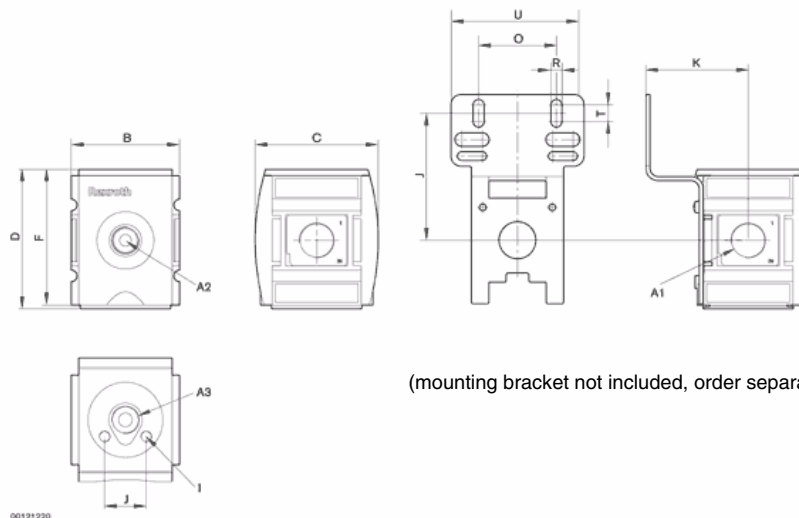
Part no.

Symbol	Threaded ports	Nominal flow Q_n [l/min] (SCFM)	Weight [kg] (lbs)	Part no.
	G 1/4	2700 (1->2) (95 SCFM) ¹⁾	0,250 (0.55)	R412006250
	G 3/8	3600 (1->2) (127 SCFM) ¹⁾	0,250 (0.55)	R412006251

1) top (1->5) = 2000 l / min (70 SCFM); front (1->4) = 900 l / min (31 SCFM); below (1->3) = 2000 l / min (70 SCFM)

Accessories (to be ordered separately)

Accessory	Part no.	
	Mechanical vacuum switch, pabs = -0,9 - 0 bar (-13 - 0 psi)	0821100020
	Mechanical pressure switch, p1 = 0,2 - 3 bar (2 - 43 psi)	0821100021
	Mechanical pressure switch, p1 = 1 - 16 bar (15 - 232 psi)	0821100023
	Seal for vacuum/pressure switch	R961400021
	Block assembly kit AS2-MBR-...-W04	R412006371
	Mounting strap AS2-MBR-...-W03	R412006370
Mounting plate AS2-MBR-...-W01	R412006368	



(mounting bracket not included, order separately)

A1	A2	A3	B	C	D	F	I	J	K	O	R	T	U
G 1/4	G 1/4	G 1/4	52	59	66,8	65	M5	61,8	49,4	38	5,4	10	65
G 3/8	G 1/4	G 1/4	52	59	66,8	65	M5	61,8	49,4	38	5,4	10	65

Compr. air maintenance unit, series AS3-Metric

AS3 Metric version index



	Page
AS3 Combination FR+L maintenance unit, metric	97
AS3 Combination F+R+L maintenance unit, metric	99
AS3 Pressure regulator, metric	101
AS3 Pressure regulator, manifold version, metric	103
AS3 Precision pressure regulator, metric	105
AS3 Precision pressure regulator, manifold version, metric	107
AS3 Filter regulator, metric	109
AS3 Standard filter, metric	112
AS3 Pre-filter, metric	114
AS3 Coalescing filter, metric	116
AS3 Active carbon filter, metric	118
AS3 Lubricator, metric	120
AS3 Distributor block, metric	122
AS3 Mounting brackets and other accessories	133

Compr. air maintenance unit, series AS3-Metric

FR+ L Maintenance unit AS3-ACD, 2-in-1, G 3/8 - G 1/2, ATEX approved

Rexroth
Bosch Group



Technical Data

Type	Filter Pressure regulator	Filter insert exchangeable Diaphragm-type pressure regulator with secondary air exhaust Regulator head lockable
	Lubricator	Standard oil-mist lubricator with automatic oil filling Fill level – sight glass with slotted screw adjustment for oil metering
		Can be filled with oil during operation
Supply pressure	Condensate drain	semi-automatic: 0.5 - 16 bar (7 - 232 psi) fully automatic: 1.5 - 16 bar (21 - 232 psi)
Secondary pressure		See table
Nominal flow	Q _n	See table
Secondary pressure = 6,3 bar (87 psi) and Δp = 1 bar (15 psi)		
Temperature range		-10° to +50 °C (14 °F to +122 °F) *
Medium		Compressed air
Weight		See table
Installation position		Vertical
Materials	Body Thread insert Reservoir Bowl guard Cover Filter element	PA 66, seals Buna-N(NBR) Die-cast zinc Polycarbonate with bayonet catch PA ABS Cellpor (Polyethylene)
Reservoir capacity	Filter Lubricator	49 cm ³ (1.6 U.S. Fl. oz.) (semi-automatic) 80 cm ³ (2.7 U.S. Fl. oz.)
Filter porosity		5 μm
ATEX	In zone 1 (gas-ex, category 2G) In zone 21 (dust-ex, category 2D) In zone 2 (gas-ex, category 3G) In zone 22 (dust-ex, category 3D)	



* with dried air

Filter for separating solid impurities up to 5 μm from compressed air and gases

For quality classes according to DIN ISO 8573-1

- Solid impurities: class 3

- Humidity - water content: class 8

Oil type: HL 68 (DIN 51 524 - ISO VG 68)

Standard values for oil metering: 1-2 drops / min at a nominal flow rate of Q_n = 1000 NI/ min (35.30 SCFM)

Plastic containers may only be cleaned with water, soap suds, and other similar, neutral agents.

▶ - semi and fully automatic condensate drain *

*either opened without pressure (NO) or closed without pressure (NC)

Part no.

Symbol	Threaded ports	Nominal flow Q _n [l/min] (SCFM)	Secondary pressure [bar](psi)	Options	Weight [kg](lbs.)	Part no. with pressure gauge
	G 3/8	3500 (123)	0,5 - 8 (7 - 116)	PC container with PA protective guard semi-automatic, without pressure: open	1,018 (2.244)	R412007298
	G 3/8	3500 (123)	1,5 - 8 (21 - 116)	PC container with PA protective guard fully automatic, without pressure: open	1,067 (2.352)	R412007299
	G 3/8	3500 (123)	0 - 8 (0 - 116)	PC container with PA protective guard fully automatic, without pressure: closed	1,067 (2.352)	R412007300
	G 1/2	3500 (123)	0,5 - 8 (7 - 116)	PC container with PA protective guard semi-automatic, without pressure: open	1,018 (2.244)	R412007307
	G 1/2	3500 (123)	1,5 - 8 (21 - 116)	PC container with PA protective guard fully automatic, without pressure: open	1,067 (2.352)	R412007308
	G 1/2	3500 (123)	0 - 8 (0 - 116)	PC container with PA protective guard fully automatic, without pressure: closed	1,067 (2.352)	R412007309

Accessories (to be ordered separately)

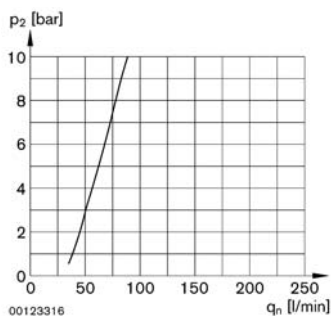
	Accessory	Part no.
	Spare parts kit: see filter pressure regulator valve AS3-FRE and normal mist lubricator AS3-CBS	
	Mounting plate AS3-MBR-...-W01	R412007368
	Mounting strap AS3-MBR-...-W03	R412007370
	Block assembly kit AS3-MBR-...-W04	R412007371
	Block assembly kit (G 3/8) AS3-MBR-G038...-W05	R412007366
	Block assembly kit (G 1/2) AS3-MBR-G012...-W05	R412007367
	Pneumatic oil, 1 liter	1829990046

Compr. air maintenance unit, series AS3-Metric

FR+L Maintenance unit AS3-ACD, 2-in-1, G 3/8 - G 1/2, ATEX approved

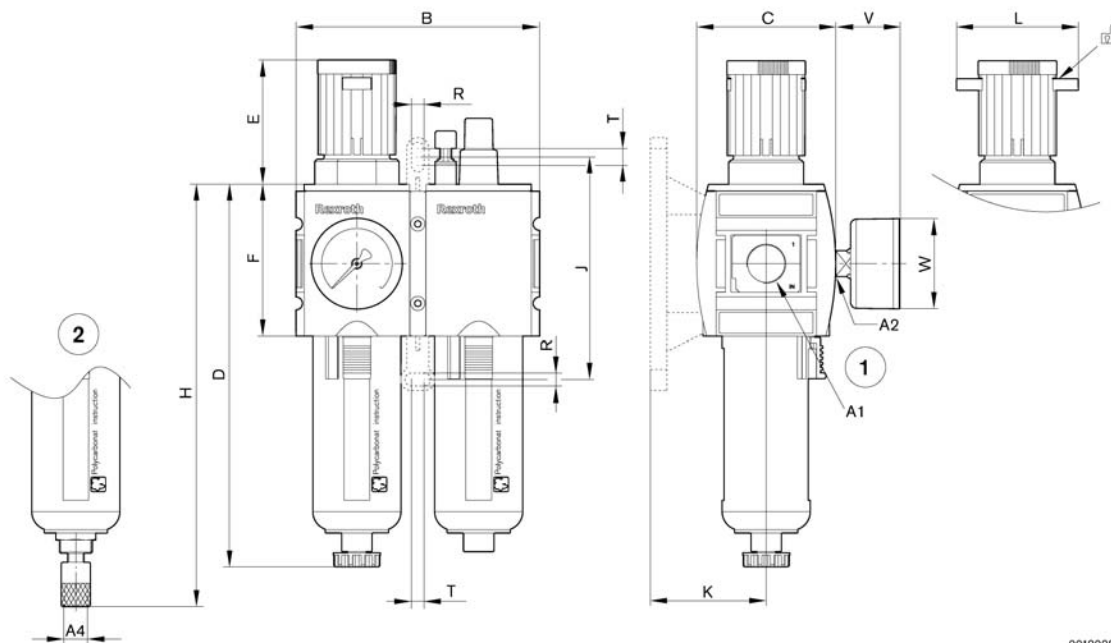
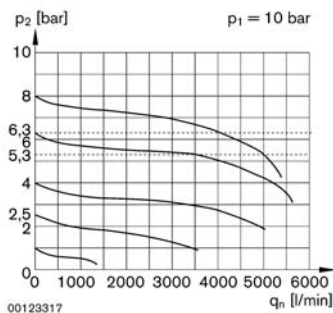


Lubrication activation margin



p_1 = Supply pressure; p_2 = Secondary pressure; q_n = Nominal flow;
 $q_{n\ min.}$ = Min. nominal flow

Flow rate characteristic (setting range p_2 : 0.5 to 8 bar) (7 to 145 psi)



00120286

- 1) Semi-automatic condensate drain
- 2) Fully automatic condensate drain

A1	A2	A4	B	C	D	E	F	H	J	K	L	R	T	V	W
G 3/8	G 1/4	G 1/8	126	74	189,5	63,5	80	206	104	71	59	6,4	8	32	50
G 1/2	G 1/4	G 1/8	126	74	189,5	63,5	80	206	104	71	59	6,4	8	32	50

Compr. air maintenance unit, series AS3-Metric

FRL Maintenance unit AS3-ACT, 3-in-1, G 3/8 - G 1/2, ATEX approved

Rexroth
Bosch Group



Technical Data

Type	Filter Pressure regulator	Filter insert exchangeable Diaphragm-type pressure regulator with secondary air exhaust
	Lubricator	Standard oil-mist lubricator with automatic oil filling Fill level – sight glass with slotted screw adjustment for oil metering Can be filled with oil during operation
Supply pressure	Condensate drain	semi-automatic: 0.5 - 16 bar (7 - 232 psi) fully automatic: 1.5 - 16 bar (21 - 232 psi)
Secondary pressure		See table
Nominal flow	Q _n	See table
Secondary pressure = 6,3 bar (87 psi) and Δp = 1 bar (15 psi)		
Temperature range		-10° to +50 °C (14 °F to +122 °F) *
Medium		Compressed air
Weight		See table
Installation position		Vertical
Materials	Body Thread insert Reservoir Bowl guard Cover Filter element	PA 66, seals Buna-N(NBR) Die-cast zinc Polycarbonate with bayonet catch PA ABS Cellpor (Polyethylene)
Reservoir capacity	Filter Lubricator	49 cm ³ (1.6 U.S. Fl. oz.) (semi-automatic) 80 cm ³ (2.7 U.S. Fl. oz.)
Filter porosity		5 μm
ATEX	In zone 1 (gas-ex, category 2G) In zone 21 (dust-ex, category 2D) In zone 2 (gas-ex, category 3G) In zone 22 (dust-ex, category 3D)	



* with dried air

Filter for separating solid impurities up to 5 μm from compressed air and gases

For quality classes according to DIN ISO 8573-1

- Solid impurities: class 3

- Humidity - water content: class 8

Oil type: HL 68 (DIN 51 524 - ISO VG 68)

Standard values for oil metering: 1-2 drops / min at a nominal flow rate of Q_n = 1000 l / min (35.30 SCFM)

Plastic containers may only be cleaned with water, soap suds, and other similar, neutral agents.

▶ - semi and fully automatic condensate drain*

* either opened without pressure (NO) or closed without pressure (NC)

Part no.

Symbol	Threaded ports	Nominal flow Q _n [l/min] (SCFM)	Secondary pressure [bar] (psi)	Options	Weight [kg] (lbs.)	Part no. with pressure gauge
	G 3/8	3500 (123)	0,5 - 8 (7 - 116)	PC container with PA protective guard semi-automatic, without pressure: open	1,353 (2.983)	R412007318
	G 3/8	3500 (123)	1,5 - 8 (21 - 116)	PC container with PA protective guard fully automatic, without pressure: open	1,402 (3.091)	R412007319
	G 3/8	3500 (123)	0 - 8 (0 - 116)	PC container with PA protective guard fully automatic, without pressure: closed	1,402 (3.091)	R412007320
	G 1/2	3500 (123)	0,5 - 8 (7 - 116)	PC container with PA protective guard semi-automatic, without pressure: open	1,353 (2.983)	R412007327
	G 1/2	3500 (123)	1,5 - 8 (21 - 116)	PC container with PA protective guard fully automatic, without pressure: open	1,402 (3.091)	R412007328
	G 1/2	3500 (123)	0 - 8 (0 - 116)	PC container with PA protective guard fully automatic, without pressure: closed	1,402 (3.091)	R412007329

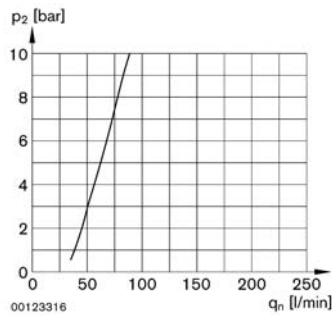
Accessories (to be ordered separately)

Accessory	Part no.	
	Spare parts kit: see filter pressure regulator valve AS3-FRE and normal mist lubricator AS3-CBS	
	Mounting plate AS3-MBR-...-W01	R412007368
	Mounting strap AS3-MBR-...-W03	R412007370
	Block assembly kit AS3-MBR-...-W04	R412007371
	Block assembly kit (G 3/8) AS3-MBR-G038...-W05	R412007366
	Block assembly kit (G 1/2) AS3-MBR-G012...-W05	R412007367
Pneumatic oil, 1 liter	1829990046	

Compr. air maintenance unit, series AS3-Metric

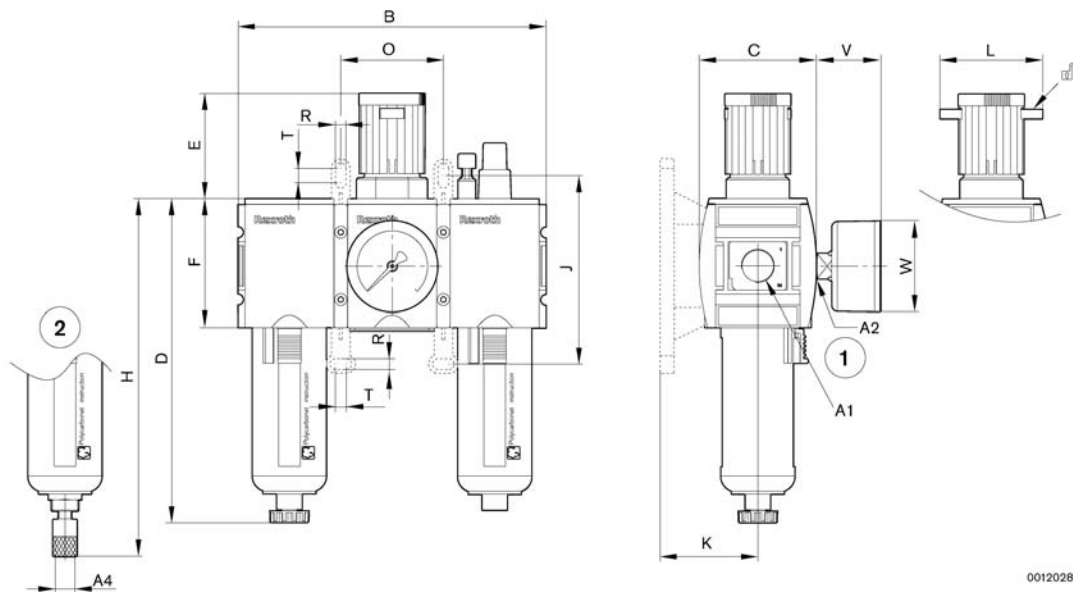
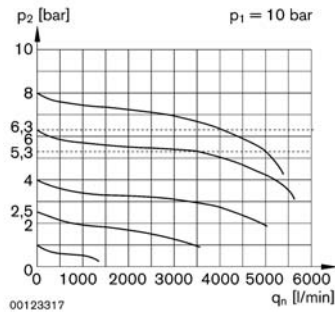
FRL Maintenance unit AS3-ACT, 3-in-1, G 3/8 - G 1/2, ATEX approved

Lubrication activation margin



p_1 = Supply pressure; p_2 = Secondary pressure; q_n = Nominal flow;
 $q_{n\ min.}$ = Min. nominal flow

Flow rate characteristic (setting range p_2 : 0.5 to 8 bar) (7 to 145 psi)



00120287

- 1) Semi-automatic condensate drain
- 2) Fully automatic condensate drain

A1	A2	A4	B	C	D	E	F	H	J	K	L	O	R	T	V	W
G 3/8	G 1/4	G 1/8	189	74	189,5	63,5	80	206	104	71	59	63	6,4	8	32	50
G 1/2	G 1/4	G 1/8	189	74	189,5	63,5	80	206	104	71	59	63	6,4	8	32	50

Compr. air maintenance unit, series AS3-Metric

Pressure regulator AS3-RGS, G 3/8 - G 1/2, ATEX approved

Rexroth
Bosch Group



Technical Data

Type	Diaphragm-type pressure regulator with secondary air exhaust	
Supply pressure	16 bar (232 psi)	
Secondary pressure	See table	
Nominal flow [l/min]	Q _n	See table
Secondary pressure = 6 bar (87 psi) and Δp = 1 bar (15 psi)		
Temperature range	-10° to +50 °C (14 °F to +122 °F) *	
Medium	Compressed air	
Weight	See table	
Installation position	any	



Materials	Body Thread insert	PA 66, seals Buna-N(NBR) Die-cast zinc
-----------	-----------------------	---

ATEX	In zone 1 (gas-ex, category 2G) In zone 21 (dust-ex, category 2D) In zone 2 (gas-ex, category 3G) In zone 22 (dust-ex, category 3D)
------	--

* with dried air

Part no.

Symbol	Threaded ports	Nominal flow Q _n [l/min](SCFM)	Secondary pressure [bar](psi)	Weight [kg](lbs.)	Part no. with pressure gauge
	G 3/8	1600 (58)	0,1 - 1 (1 - 14)	0,600 (1.323)	R412007101
	G 3/8	4600 (162)	0,1 - 2 (1 - 29)	0,600 (1.323)	R412007103
	G 3/8	5000 (176)	0,2 - 4 (2 - 58)	0,600 (1.323)	R412007105
	G 3/8	4300 (151)	0,5 - 8 (7 - 116)	0,600 (1.323)	R412007107
	G 3/8	4300 (151)	0,5 - 10 (7 - 145)	0,600 (1.323)	R412007109
	G 3/8	3500 (123)	0,5 - 16 (7 - 232)	0,600 (1.323)	R412007111
	G 1/2	1600 (58)	0,1 - 1 (1 - 14)	0,600 (1.323)	R412007113
	G 1/2	4600 (162)	0,1 - 2 (1 - 29)	0,600 (1.323)	R412007115
	G 1/2	5000 (176)	0,2 - 4 (2 - 58)	0,600 (1.323)	R412007117
	G 1/2	5200 (183)	0,5 - 8 (7 - 116)	0,600 (1.323)	R412007119
	G 1/2	5200 (183)	0,5 - 10 (7 - 145)	0,600 (1.323)	R412007121
	G 1/2	4000 (141)	0,5 - 16 (7 - 232)	0,600 (1.323)	R412007123

Part no.

Symbol	Threaded ports	Nominal flow Q _n [l/min](SCFM)	Secondary pressure [bar](psi)	Weight [kg](lbs.)	Part no. without pressure gauge
	G 3/8	1600 (58)	0,1 - 1 (1 - 14)	0,528 (1.164)	R412007100
	G 3/8	4600 (162)	0,1 - 2 (1 - 29)	0,528 (1.164)	R412007102
	G 3/8	5000 (178)	0,2 - 4 (2 - 58)	0,528 (1.164)	R412007104
	G 3/8	4300 (151)	0,5 - 8 (7 - 116)	0,528 (1.164)	R412007106
	G 3/8	4300 (151)	0,5 - 10 (7 - 145)	0,528 (1.164)	R412007108
	G 3/8	3500 (123)	0,5 - 16 (7 - 232)	0,528 (1.164)	R412007110
	G 1/2	1600 (58)	0,1 - 1 (1 - 14)	0,528 (1.164)	R412007112
	G 1/2	4600 (162)	0,1 - 2 (1 - 29)	0,528 (1.164)	R412007114
	G 1/2	5000 (176)	0,2 - 4 (2 - 58)	0,528 (1.164)	R412007116
	G 1/2	5200 (183)	0,5 - 8 (7 - 116)	0,528 (1.164)	R412007118
	G 1/2	5200 (183)	0,5 - 10 (7 - 145)	0,528 (1.164)	R412007120
	G 1/2	4000 (141)	0,5 - 16 (7 - 232)	0,528 (1.164)	R412007122

Accessories (to be ordered separately)

	Accessory	Part no.
	Pressure regulator valve seal kit	R961400144
	Mounting plate AS3-MBR-...-W01 (incl. 2 bolts)	R412007368
	Mounting strap AS3-MBR-...-W03	R412007370
	Block assembly kit AS3-MBR-...-W04	R412007371
	Block assembly kit (G 3/8) AS3-MBR-G038...-W05	R412007366
	Block assembly kit (G 1/2) AS3-MBR-G012...-W05	R412007367
	Control panel nut AS3-MBR-...-W06	R412007372
	Pressure gauge Ø 50, G 1/4 *	R412004XXX

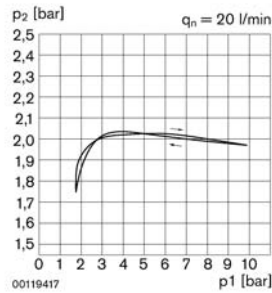
* see accessories

Compr. air maintenance unit, series AS3-Metric

Pressure regulator AS3-RGS, G 3/8 - G 1/2, ATEX approved

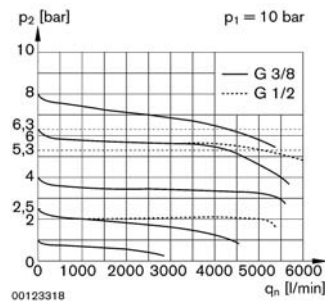
Rexroth
Bosch Group

Pressure characteristics curve

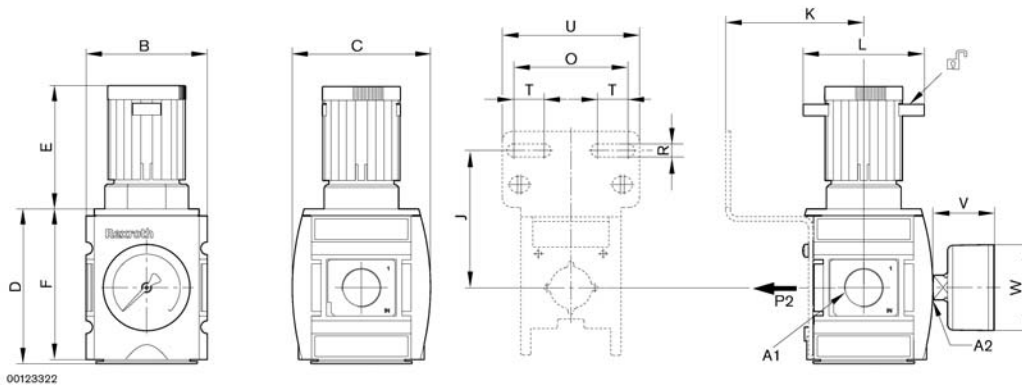


p_1 = Supply pressure; p_2 = Secondary pressure; q = Flow rate

Flow rate characteristic (setting range p_2 : 0.5 to 8 bar / 7 to 116 psi)



p_1 = Supply pressure; p_2 = Secondary pressure; q_n = Nominal flow



A1	A2	B	C	D	E	F	J	K	L	O	R	T	U	V	W
G 3/8	G 1/4	63	74	82	63,5	80	72,5	71	59	60	7	16	72	35	50
G 1/2	G 1/4	63	74	82	63,5	80	72,5	71	59	60	7	16	72	35	50

Compr. air maintenance unit, series AS3-Metric

Pressure regulator AS3-RGS-...-DS, with continuous pressure supply,
G 3/8 - G 1/2, ATEX approved

Rexroth
Bosch Group



Technical Data

Type	Diaphragm-type pressure regulator with secondary air exhaust Lockable regulator head	
Supply pressure	16 bar (232 psi)	
Secondary pressure	See table	
Nominal flow Q_n	See table	
Secondary pressure = 6 bar (87 psi) and $\Delta p = 1$ bar (15 psi)		
Temperature range	-10° to +50 °C (14 °F to +122 °F) *	
Medium	Compressed air	
Weight	See table	
Installation position	Any	
Materials	Body Thread insert Cover	PA 66, seals Buna-N(NBR) Die-cast zinc ABS
ATEX	In zone 1 (gas-ex, category 2G) In zone 21 (dust-ex, category 2D) In zone 2 (gas-ex, category 3G) In zone 22 (dust-ex, category 3D)	

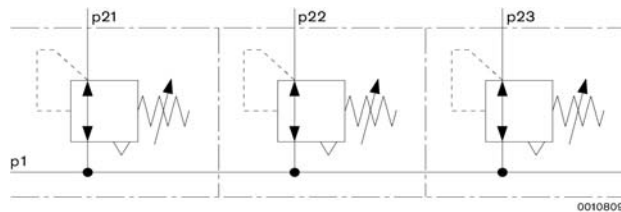


* with dried air

The p1 working pressure can be supplied from the left or the right in the device combination. With high nominal flows, a supply on both sides is recommended!

In the case of multiple regulator assemblies, only $\varnothing \leq 50$ can be used

Example of application



Part no.

Symbol	Threaded ports	Nominal flow Q_n [l/min](SCFM)	Secondary pressure [bar](psi)	Weight [kg](lbs.)	Part no. without pressure gauge
	G 3/8	1600 (58)	0,1 - 1 (1 - 14)	0,528 (1.164)	R412007124
	G 3/8	4600 (162)	0,1 - 2 (1 - 29)	0,528 (1.164)	R412007125
	G 3/8	5000 (176)	0,2 - 4 (2 - 58)	0,528 (1.164)	R412007126
	G 3/8	4300 (151)	0,5 - 8 (7 - 116)	0,528 (1.164)	R412007127
	G 3/8	4300 (151)	0,5 - 10 (7 - 145)	0,528 (1.164)	R412007128
	G 3/8	3500 (123)	0,5 - 10 (7 - 232)	0,528 (1.164)	R412007129
	G 1/2	1600 (58)	0,1 - 1 (1 - 14)	0,528 (1.164)	R412007130
	G 1/2	4600 (162)	0,1 - 2 (1 - 29)	0,528 (1.164)	R412007131
	G 1/2	5000 (176)	0,2 - 4 (2 - 58)	0,528 (1.164)	R412007132
	G 1/2	5200 (183)	0,5 - 8 (7 - 116)	0,528 (1.164)	R412007133
	G 1/2	5200 (183)	0,5 - 10 (7 - 145)	0,528 (1.164)	R412007134
	G 1/2	4000 (141)	0,5 - 16 (7 - 232)	0,528 (1.164)	R412007135

Accessories (to be ordered separately)

Accessory	Part no.
Pressure regulator valve seal kit	R961400144
Mounting plate AS3-MBR-...-W01 (incl. 2 bolts)	R412007368
Mounting strap AS3-MBR-...-W03	R412007370
Block assembly kit AS3-MBR-...-W04	R412007371
Block assembly kit (G 3/8) AS3-MBR-G038...-W05	R412007366
Block assembly kit (G 1/2) AS3-MBR-G012...-W05	R412007367
Control panel nut AS3-MBR-...-W06	R412007372
Pressure gauge $\varnothing 50$, G 1/4 *	R412004XXX

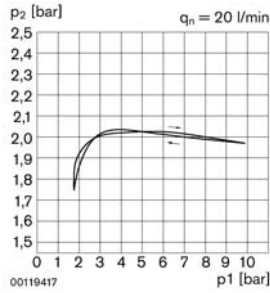
* see accessories

Compr. air maintenance unit, series AS3-Metric

Pressure regulator AS3-RGS-...-DS, with continuous pressure supply,
G 3/8 - G 1/2, ATEX approved

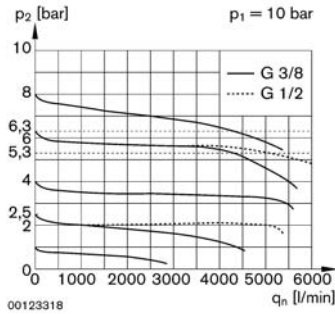


Pressure characteristics curve

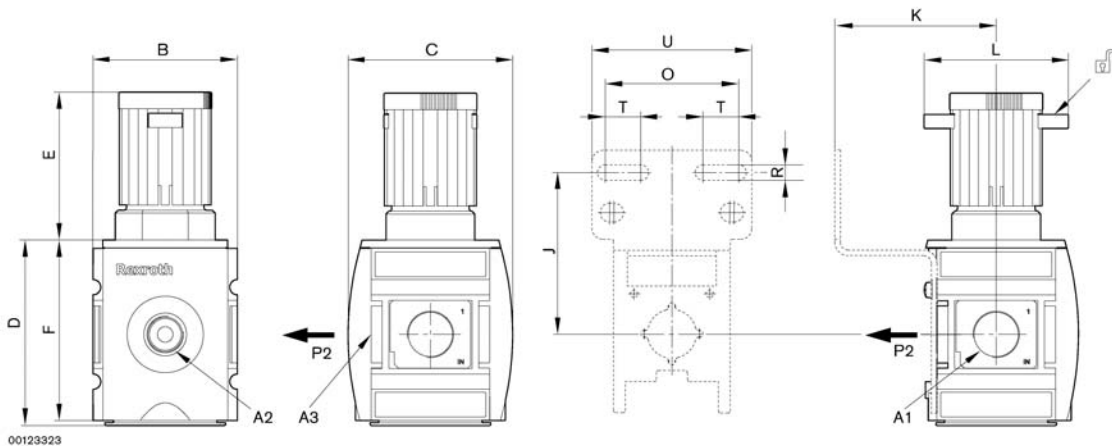


p_1 = Supply pressure; p_2 = Secondary pressure; q = Flow rate

Flow rate characteristic (setting range p_2 : 0.5 to 8 bar / 7 to 116 psi)



p_1 = Supply pressure; p_2 = Secondary pressure; q_n = Nominal flow



p_2 = Secondary pressure

A1	A2	A3	B	C	D	E	F	J	K	L	O	R	T	U
G 3/8	G 1/4	G 1/4	63	74	82	63,5	80	72,5	71	59	60	7	16	72
G 1/2	G 1/4	G 1/4	63	74	82	63,5	80	72,5	71	59	60	7	16	72

Compr. air maintenance unit, series AS3-Metric

Precision pressure regulator AS3-RGP, G 3/8 - G 1/2, ATEX approved

Rexroth
Bosch Group



Technical Data

Type	Diaphragm-type pressure regulator with secondary air exhaust Lockable regulator head	
Supply pressure	16 bar (232 psi)	
Secondary pressure	See table	
Nominal flow Q_n	See table	
Secondary pressure = 6 bar (87 psi) and $\Delta p = 1$ bar (15 psi)		
Temperature range	-10° to +50 °C (14 °F to +122 °F) *	
Medium	Compressed air	
Weight	See table	
Installation position	Any	
Materials	Body Thread insert Cover	PA 66, seals Buna-N(NBR) Die-cast zinc ABS



* with dried air

Continuous air consumption = 2,6 NI / min (0.09 SCFM), depending on secondary pressure $p_2 = 6$ bar (87 psi)

ATEX	In zone 1 (gas-ex, category 2G) In zone 21 (dust-ex, category 2D) In zone 2 (gas-ex, category 3G) In zone 22 (dust-ex, category 3D)
------	--

Part no.

Symbol	Threaded ports	Nominal flow Q_n [l/min](SCFM)	Secondary pressure [bar](psi)	Weight [kg](lbs.)	Part no. with pressure gauge
	G 3/8	1600 (58)	0,1 - 1 (1 - 14)	0,600 (1.323)	R412007137
	G 3/8	4600 (162)	0,1 - 2 (1 - 29)	0,600 (1.323)	R412007139
	G 3/8	5000 (178)	0,2 - 4 (2 - 58)	0,600 (1.323)	R412007141
	G 3/8	4300 (151)	0,5 - 8 (7 - 116)	0,600 (1.323)	R412007143
	G 3/8	4300 (151)	0,5 - 10 (7 - 145)	0,600 (1.323)	R412007145
	G 1/2	1600 (58)	0,1 - 1 (1 - 14)	0,600 (1.323)	R412007149
	G 1/2	4600 (162)	0,1 - 2 (1 - 29)	0,600 (1.323)	R412007151
	G 1/2	5000 (176)	0,2 - 4 (2 - 58)	0,600 (1.323)	R412007153
	G 1/2	5200 (183)	0,5 - 8 (7 - 116)	0,600 (1.323)	R412007155
	G 1/2	5200 (183)	0,5 - 10 (7 - 145)	0,600 (1.323)	R412007157

Part no.

Symbol	Threaded ports	Nominal flow Q_n [l/min](SCFM)	Secondary pressure [bar](psi)	Weight [kg](lbs.)	Part no. without pressure gauge
	G 3/8	1600 (58)	0,1 - 1 (1 - 14)	0,528 (1.164)	R412007136
	G 3/8	4600 (162)	0,1 - 2 (1 - 29)	0,528 (1.164)	R412007138
	G 3/8	5000 (178)	0,2 - 4 (2 - 58)	0,528 (1.164)	R412007140
	G 3/8	4300 (151)	0,5 - 8 (7 - 116)	0,528 (1.164)	R412007142
	G 3/8	4300 (151)	0,5 - 10 (7 - 145)	0,528 (1.164)	R412007144
	G 1/2	1600 (58)	0,1 - 1 (1 - 14)	0,528 (1.164)	R412007148
	G 1/2	4600 (162)	0,1 - 2 (1 - 29)	0,528 (1.164)	R412007150
	G 1/2	5000 (176)	0,2 - 4 (2 - 58)	0,528 (1.164)	R412007152
	G 1/2	5200 (183)	0,5 - 8 (7 - 116)	0,528 (1.164)	R412007154
	G 1/2	5200 (183)	0,5 - 10 (7 - 145)	0,528 (1.164)	R412007156

Accessories (to be ordered separately)

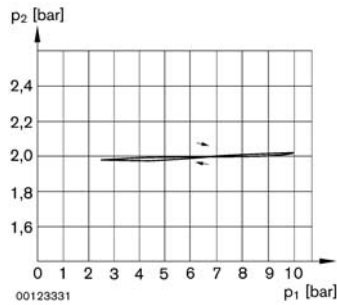
Accessory	Part no.
Pressure regulator valve seal kit	R961400145
Mounting plate AS3-MBR-...-W01	R412007368
Mounting strap AS3-MBR-...-W03	R412007370
Block assembly kit AS3-MBR-...-W04	R412007371
Block assembly kit (G 3/8) AS3-MBR-G038...-W05	R412007366
Block assembly kit (G 1/2) AS3-MBR-G012...-W05	R412007367
Control panel nut AS3-MBR-...-W06	R412007372
Pressure gauge $\varnothing 50$, G 1/4 *	R412004XXX

* see accessories

Compr. air maintenance unit, series AS3-Metric

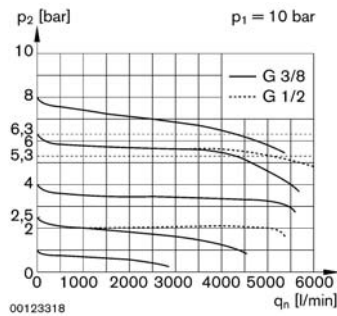
Precision pressure regulator AS3-RGP, G 3/8 - G 1/2, ATEX approved

Pressure characteristics curve

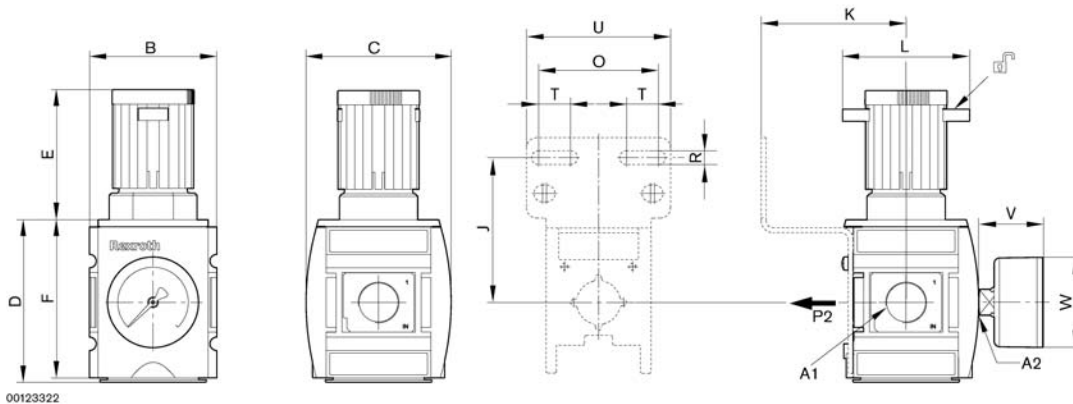


p_1 = Supply pressure; p_2 = Secondary pressure; q = Flow rate

Flow rate characteristic (setting range p_2 : 0.5 to 8 bar / 7 to 116 psi)



p_1 = Supply pressure; p_2 = Secondary pressure; q_n = Nominal flow



A1	A2	B	C	D	E	F	J	K	L	O	R	T	U	V	W
G 3/8	G 1/4	63	74	82	63,5	80	72,5	71	59	60	7	16	72	35	50
G 1/2	G 1/4	63	74	82	63,5	80	72,5	71	59	60	7	16	72	35	50

Compr. air maintenance unit, series AS3-Metric

Precision pressure regulator AS3-RGP-...-DS, with continuous pressure supply, G 3/8 - G 1/2, ATEX approved

Rexroth
Bosch Group



Technical Data

Type	Diaphragm-type pressure regulator with secondary air exhaust Lockable regulator head	
Supply pressure	16 bar (232 psi)	
Secondary pressure	See table	
Nominal flow Q_n	See table	
Secondary pressure = 6 bar (87 psi) and $\Delta p = 1$ bar (15 psi)		
Temperature range	-10° to +50 °C (14 °F to +122 °F) *	
Medium	Compressed air	
Weight	See table	
Installation position	Any	
Materials	Body Thread insert Cover	PA 66, seals Buna-N(NBR) Die-cast zinc ABS
ATEX	In zone 1 (gas-ex, category 2G) In zone 21 (dust-ex, category 2D) In zone 2 (gas-ex, category 3G) In zone 22 (dust-ex, category 3D)	



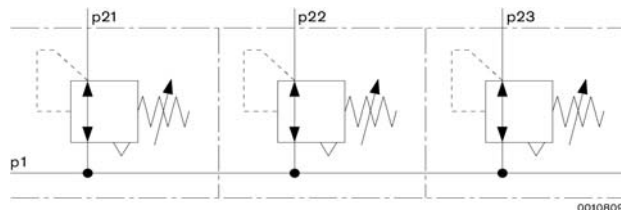
* with dried air

Continuous air consumption = 2,6 NI / min (0.09 SCFM), depending on secondary pressure $p_2 = 6$ bar (87 psi)

The p_1 working pressure can be supplied from the left or the right in the device combination. With high nominal flows, a supply on both sides is recommended!

In the case of block assembly, only gauge with $\varnothing \leq 50$ can be used

Example of application



Part no.

Symbol	Threaded ports	Nominal flow Q_n [l/min](SCFM)	Secondary pressure [bar](psi)	Weight [kg](lbs.)	Part no. without pressure gauge
	G 3/8	1600 (58)	0,1 - 1 (1 - 14)	0,528 (1.164)	R412007160
	G 3/8	4600 (162)	0,1 - 2 (1 - 29)	0,528 (1.164)	R412007161
	G 3/8	5000 (176)	0,2 - 4 (2 - 58)	0,528 (1.164)	R412007162
	G 3/8	4300 (151)	0,5 - 8 (7 - 116)	0,528 (1.164)	R412007163
	G 3/8	4300 (151)	0,5 - 10 (7 - 145)	0,528 (1.164)	R412007164
	G 1/2	1600 (58)	0,1 - 1 (1 - 14)	0,528 (1.164)	R412007166
	G 1/2	4600 (162)	0,1 - 2 (1 - 29)	0,528 (1.164)	R412007167
	G 1/2	5000 (176)	0,2 - 4 (2 - 58)	0,528 (1.164)	R412007168
	G 1/2	5200 (183)	0,5 - 8 (7 - 116)	0,528 (1.164)	R412007169
	G 1/2	5200 (183)	0,5 - 10 (7 - 145)	0,528 (1.164)	R412007170

Accessories (to be ordered separately)

Accessory	Part no.
Pressure regulator valve seal kit	R961400145
Mounting plate AS3-MBR-...-W01	R412007368
Mounting strap AS3-MBR-...-W03	R412007370
Block assembly kit AS3-MBR-...-W04	R412007371
Block assembly kit (G 3/8) AS3-MBR-G038...-W05	R412007366
Block assembly kit (G 1/2) AS3-MBR-G012...-W05	R412007367
Control panel nut AS3-MBR-...-W06	R412007372
Pressure gauge $\varnothing 50$, G 1/4 *	R412004XXX

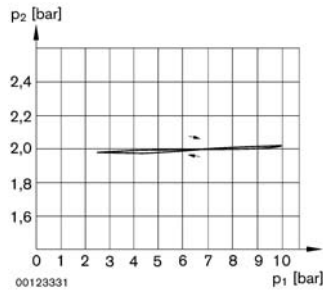
* see accessories

Compr. air maintenance unit, series AS3-Metric

Precision pressure regulator AS3-RGP-...-DS, with continuous pressure supply, G 3/8 - G 1/2, ATEX approved

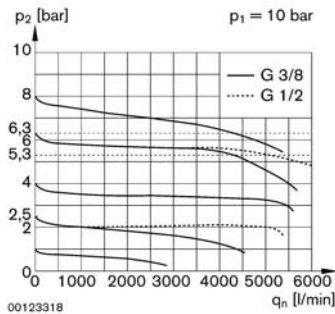


Pressure characteristics curve

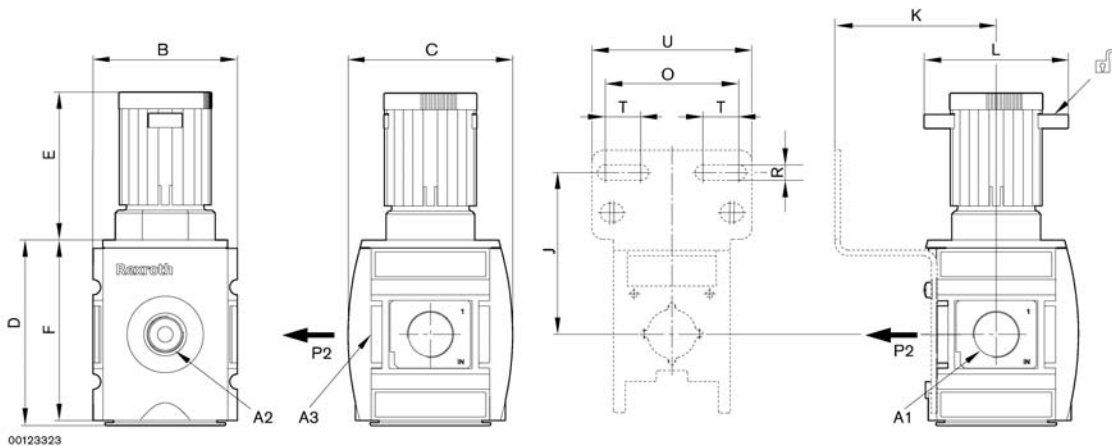


p_1 = Supply pressure; p_2 = Secondary pressure; q = Flow rate

Flow rate characteristic (setting range p_2 : 0.5 to 8 bar / 7 to 116 psi)



p_1 = Supply pressure; p_2 = Secondary pressure; q_n = Nominal flow



p_2 = Secondary pressure

A1	A2	A3	B	C	D	E	F	J	K	L	O	R	T	U
G 3/8	G 1/4	G 1/4	63	74	82	63	80	72,5	71	59	60	7	16	72
G 1/2	G 1/4	G 1/4	63	74	82	63	80	72,5	71	59	60	7	16	72

Compr. air maintenance unit, series AS3-Metric

Filter regulator AS3-FRE, G 3/8 - G 1/2, ATEX approved

Rexroth
Bosch Group



Technical Data		
Type	Filter Pressure regulator	Filter insert exchangeable Diaphragm-type pressure regulator with secondary air exhaust Lockable regulator head
Supply pressure	Condensate drain	semi-automatic: 0.5 - 16 bar (7 - 232 psi) fully automatic: 1.5 - 16 bar (21 - 232 psi)
Secondary pressure		See table
Nominal flow	Q _n	See table
Secondary pressure = 6,3 bar (87 psi) and Δp = 1 bar (15 psi)		
Ambient temperature		-10°C to +50 °C (14 °F to +122 °F) *
Medium		Compressed air
Weight		See table
Installation position		Vertical
Materials	Body Thread insert Reservoir Bowl guard Cover Filter element	PA 66, seals Buna-N(NBR) Die-cast zinc Polycarbonate with bayonet catch PA ABS Cellpor (Polyethylene)
Reservoir capacity	-	49 cm ³ (1.6 U.S. Fl. oz.) (semi-automatic)
Filter porosity		5 μm
ATEX	In zone 1 (gas-ex, category 2G) In zone 21 (dust-ex, category 2D) In zone 2 (gas-ex, category 3G) In zone 22 (dust-ex, category 3D)	



* with dried air

Filter for separating solid impurities up to 5 μm from compressed air and gases

For quality classes according to DIN ISO 8573-1

- Solid impurities: class 3

- Humidity - water content: class 8

Plastic containers may only be cleaned with water, soap suds, and other similar, neutral agents.

Part no.

Symbol	Threaded ports	Nominal flow Q _n [l/min] (SCFM)	Secondary pressure [bar](psi)	Options	Weight [kg](lbs.)	Part no. with pressure gauge
	G 3/8	4300 (151)	0,5 - 8 (7 - 116)	PC container with PA protective guard semi-automatic, w/out pressure: open	0,658 (1.451)	R412007200
	G 3/8	4300 (151)	1,5 - 8 (21 - 116)	PC container with PA protective guard fully automatic, w/out pressure: open	0,707 (1.559)	R412007201
	G 3/8	4300 (151)	0 - 8 (0 - 116)	PC container with PA protective guard fully automatic, w/out pressure: closed	0,707 (1.559)	R412007202
	G 1/2	5200 (183)	0,5 - 8 (7 - 116)	PC container with PA protective guard semi-automatic, w/out pressure: open	0,658 (1.451)	R412007209
	G 1/2	5200 (183)	1,5 - 8 (21 - 116)	PC container with PA protective guard fully automatic, w/out pressure: open	0,707 (1.559)	R412007210
	G 1/2	5200 (183)	0 - 8 (0 - 116)	PC container with PA protective guard fully automatic, w/out pressure: closed	0,707 (1.559)	R412007211

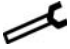
Part no.

Symbol	Threaded ports	Nominal flow Q _n [l/min] (SCFM)	Secondary pressure [bar](psi)	Options	Weight [kg](lbs.)	Part no. without pressure gauge
	G 3/8	4300 (151)	0,5 - 8 (7 - 116)	PC container with PA protective guard semi-automatic, w/out pressure: open	0,586 (1.292)	R412007175
	G 3/8	4300 (151)	1,5 - 8 (21 - 116)	PC container with PA protective guard fully automatic, w/out pressure: open	0,635 (1.400)	R412007176
	G 3/8	4300 (151)	0 - 8 (0 - 116)	PC container with PA protective guard fully automatic, w/out pressure: closed	0,635 (1.400)	R412007177
	G 1/2	5200 (183)	0,5 - 8 (7 - 116)	PC container with PA protective guard semi-automatic, w/out pressure: open	0,586 (1.292)	R412007184
	G 1/2	5200 (183)	1,5 - 8 (21 - 116)	PC container with PA protective guard fully automatic, w/out pressure: open	0,635 (1.400)	R412007185
	G 1/2	5200 (183)	0 - 8 (0 - 116)	PC container with PA protective guard fully automatic, w/out pressure: closed	0,635 (1.400)	R412007186

Compr. air maintenance unit, series AS3-Metric

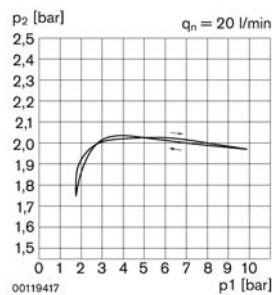
Filter regulator AS3-FRE, G 3/8 - G 1/2, ATEX approved

▲ Accessories (to be ordered separately)

	Accessory	Part no.
	Filter reservoir AS3-CLS *	R4120073XX
	Filter insert, 5 µm	1829207068
	Pressure regulator valve seal kit	R961400144
	Mounting plate AS3-MBR-...-W01	R412007368
	Mounting strap AS3-MBR-...-W03	R412007370
	Block assembly kit AS3-MBR-...-W04	R412007371
	Block assembly kit (G 3/8) AS3-MBR-G038...-W05	R412007366
	Block assembly kit (G 1/2) AS3-MBR-G012...-W05	R412007367
	Control panel nut AS3-MBR-...-W06	R412007372

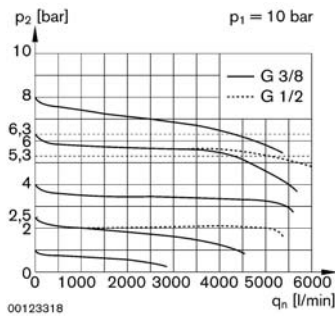
* see accessories

Pressure characteristics curve



p_1 = Supply pressure; p_2 = Secondary pressure; q = Flow rate

Flow rate characteristic (setting range p_2 : 0.5 to 8 bar) (7 to 116 psi)

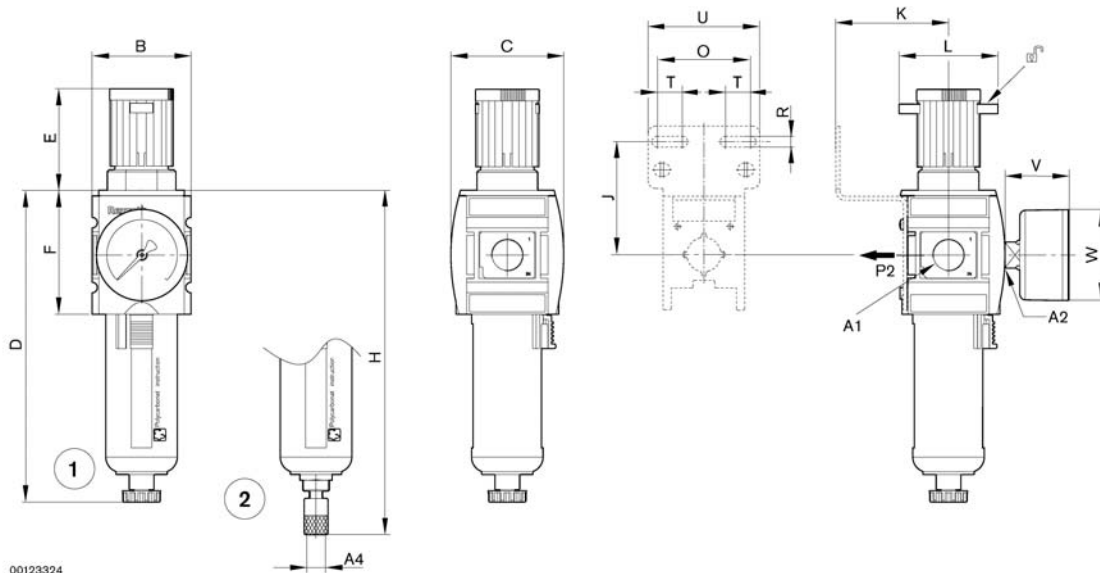


p_1 = Supply pressure; p_2 = Secondary pressure; q_n = Nominal flow; q = Flow rate

Compr. air maintenance unit, series AS3-Metric

Filter regulator AS3-FRE, G 3/8 - G 1/2, ATEX approved

Rexroth
Bosch Group



- 1) Semi-automatic condensate drain
2) Fully automatic condensate drain

A1	A2	A4	B	C	D	E	F	H	J	K	L	O	R	T	U	V	W
G 3/8	G 1/4	G 1/8	63	74	189,5	63,5	80	206	72,5	71	59	60	7	16	72	35	50
G 1/2	G 1/4	G 1/8	63	74	189,5	63,5	80	206	72,5	71	59	60	7	16	72	35	50

Compr. air maintenance unit, series AS3-Metric

Standard filter AS3-FLS, G 3/8 - G 1/2, ATEX approved

Rexroth
Bosch Group



Technical Data

Type	Filter insert exchangeable	
Supply pressure	See table	
Ambient temperature	-10°C to +50 °C (14 °F to +122 °F) *	
Medium	Compressed air	
Weight	See table	
Installation position	vertical	
Materials	Body	PA 66, seals Buna-N(NBR)
	Thread insert	Die-cast zinc
	Reservoir	Polycarbonate with bayonet catch
	Bowl guard	PA
	Cover	ABS
	Filter element	Cellpor (Polyethylene)
Reservoir capacity	49 cm ³ (1.6 U.S. Fl. oz.) (semi-automatic)	
Filter porosity	5 µm	
ATEX	In zone 1 (gas-ex, category 2G) In zone 21 (dust-ex, category 2D) In zone 2 (gas-ex, category 3G) In zone 22 (dust-ex, category 3D)	



* with dried air

Filter for separating solid impurities up to 5 µm from compressed air and gases

For quality classes according to DIN ISO 8573-1

- Solid impurities: class 3

- Humidity - water content: class 8

Optionally with a semi or fully automatic condensate drain

Condensate drain opened without pressure or closed without pressure.

Plastic containers may only be cleaned with water, soap suds, and other similar, neutral agents.

Part no.

Symbol	Threaded ports	Nominal flow Q _n [l/min] (SCFM)	Supply pressure [bar](psi)	Options	Weight [kg](lbs.)	Part no.
	G 3/8	3500 (123)	0,5 - 16 (7 - 232)	PC container with PA protective guard semi-automatic, w/out pressure: open	0,361 (0.796)	R412007000
	G 3/8	3500 (123)	1,5 - 16 (21 - 232)	PC container with PA protective guard fully automatic, w/out pressure: open	0,410 (0.904)	R412007001
	G 3/8	3500 (123)	0 - 16 (0 - 232)	PC container with PA protective guard fully automatic, w/out pressure: closed	0,410 (0.904)	R412007002
	G 1/2	3500 (123)	0,5 - 16 (7 - 232)	PC container with PA protective guard semi-automatic, w/out pressure: open	0,361 (0.796)	R412007009
	G 1/2	3500 (123)	1,5 - 16 (21 - 232)	PC container with PA protective guard fully automatic, w/out pressure: open	0,410 (0.904)	R412007010
	G 1/2	3500 (123)	0 - 16 (0 - 232)	PC container with PA protective guard fully automatic, w/out pressure: closed	0,410 (0.904)	R412007011

Accessories (to be ordered separately)

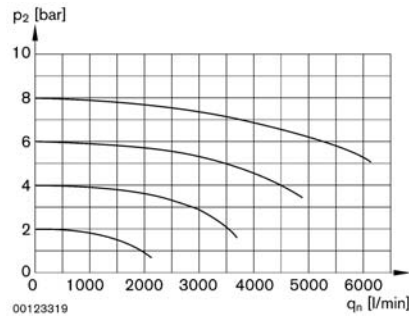
	Accessory	Part no.
	Filter reservoir AS3-CLS *	R4120073XX
	Filter insert, 5 µm	1829207068
	Mounting plate AS3-MBR-...-W01	R412007368
	Mounting strap AS3-MBR-...-W03	R412007370
	Block assembly kit AS3-MBR-...-W04	R412007371
	Block assembly kit (G 3/8) AS3-MBR-G038...-W05	R412007366
Block assembly kit (G 1/2) AS3-MBR-G012...-W05	R412007367	

* see accessories

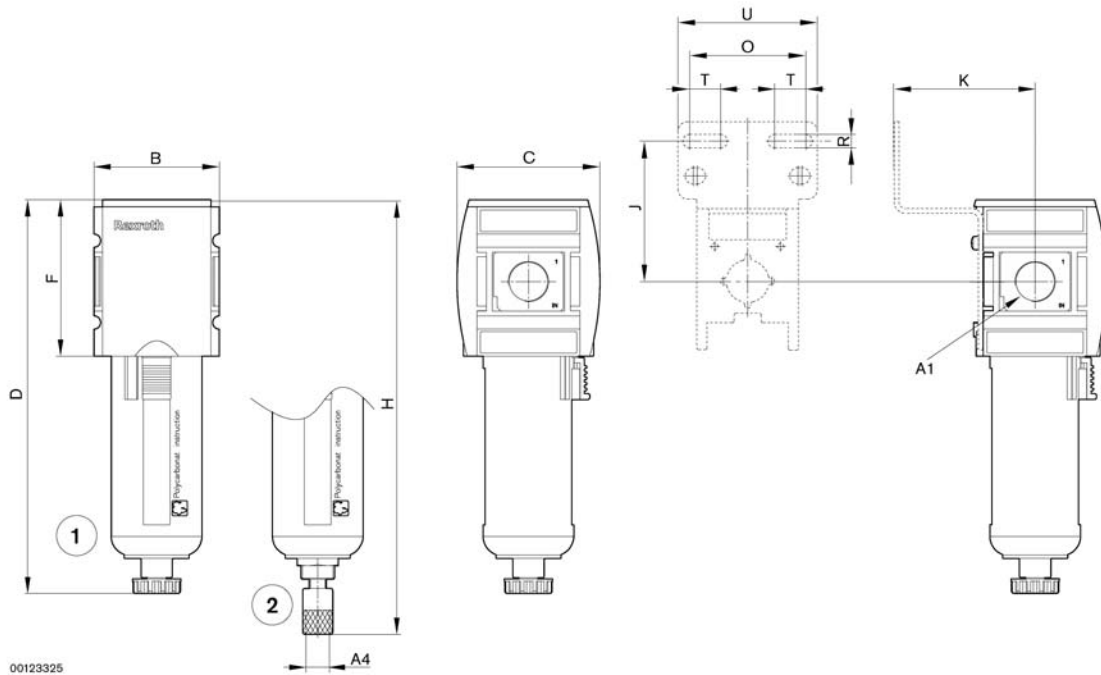
Compr. air maintenance unit, series AS3-Metric

Standard filter AS3-FLS, G 3/8 - G 1/2, ATEX approved

Flow rate characteristic



p_1 = Supply pressure; p_2 = Secondary pressure; q_n = Nominal flow



- 1) Semi-automatic condensate drain
- 2) Fully automatic condensate drain

A1	A4	B	C	D	F	H	J	K	O	R	T	U
G 3/8	G 1/8	63	74	189,5	80	206	72,5	71	60	7	16	72
G 1/2	G 1/8	63	74	189,5	80	206	72,5	71	60	7	16	72

Compr. air maintenance unit, series AS3-Metric

Pre-filter AS3-FLP, G 3/8 - G 1/2, ATEX approved

Rexroth
Bosch Group



Technical Data

Type	Pre-filter insert exchangeable	
Supply pressure	See table	
Temperature range	-10°C to +50 °C (14 °F to +122 °F) *	
Medium	Compressed air	
Weight	See table	
Installation position	vertical	
Materials	Body	PA 66, seals Buna-N(NBR)
	Thread insert	Die-cast zinc
	Reservoir	Polycarbonate with bayonet catch
	Bowl guard	PA
	Cover	ABS
	Filter element	Impregnated paper
Reservoir capacity	49 cm ³ (1.6 U.S. Fl. oz.) (semi-automatic)	
Filter porosity	0,3 μm	
ATEX	In zone 1 (gas-ex, category 2G) In zone 21 (dust-ex, category 2D) In zone 2 (gas-ex, category 3G) In zone 22 (dust-ex, category 3D)	



* with dried air

Pre-filter for separating solid impurities up to 0,3 μm from compressed air and gases
The filter element should be exchanged if there is an increase of Δp by max. 0.35 bar (5 psi) or once a year.

Dust separation = 99,99 %

For quality classes according to DIN ISO 8573-1

- Solid impurities: class 2

- Humidity - water content: class 8

Plastic containers may only be cleaned with water, soap suds, and other similar, neutral agents.

Part no.

Symbol	Threaded ports	Nominal flow Q _n [l/min] (SCFM)	Supply pressure [bar](psi)	Options	Weight [kg](lbs.)	Part no.
	G 3/8	580 (20)	0,5 - 16 (7 - 232)	PC container with PA protective guard semi-automatic, w/out pressure: open	0,361 (0.796)	R412007018
	G 3/8	580 (20)	1,5 - 16 (21 - 232)	PC container with PA protective guard fully automatic, w/out pressure: open	0,410 (0.904)	R412007019
	G 3/8	580 (20)	0 - 16 (0 - 232)	PC container with PA protective guard fully automatic, w/out pressure: closed	0,410 (0.904)	R412007020
	G 1/2	650 (22)	0,5 - 16 (7 - 232)	PC container with PA protective guard semi-automatic, w/out pressure: open	0,361 (0.796)	R412007027
	G 1/2	650 (22)	1,5 - 16 (21 - 232)	PC container with PA protective guard fully automatic, w/out pressure: open	0,410 (0.904)	R412007028
	G 1/2	650 (22)	0 - 16 (0 - 232)	PC container with PA protective guard fully automatic, w/out pressure: closed	0,410 (0.904)	R412007029

1) At p₁ = 7 bar (102 psi)

2) Δp = 0,02 bar (0.3 psi)

Q = Q_n x f (f = Correction factor for various supply pressures p₁)

		p ₁															
[bar]		1	2	3	4	5	6	7	8	9	10	11	12	13	14	15	16
[psi]		14	29	43	58	72	87	101	116	130	145	159	174	188	203	217	232
f		0,25	0,38	0,5	0,65	0,75	0,88	1	1,13	1,25	1,38	1,5	1,63	1,75	1,88	2	2,13

Accessories (to be ordered separately)

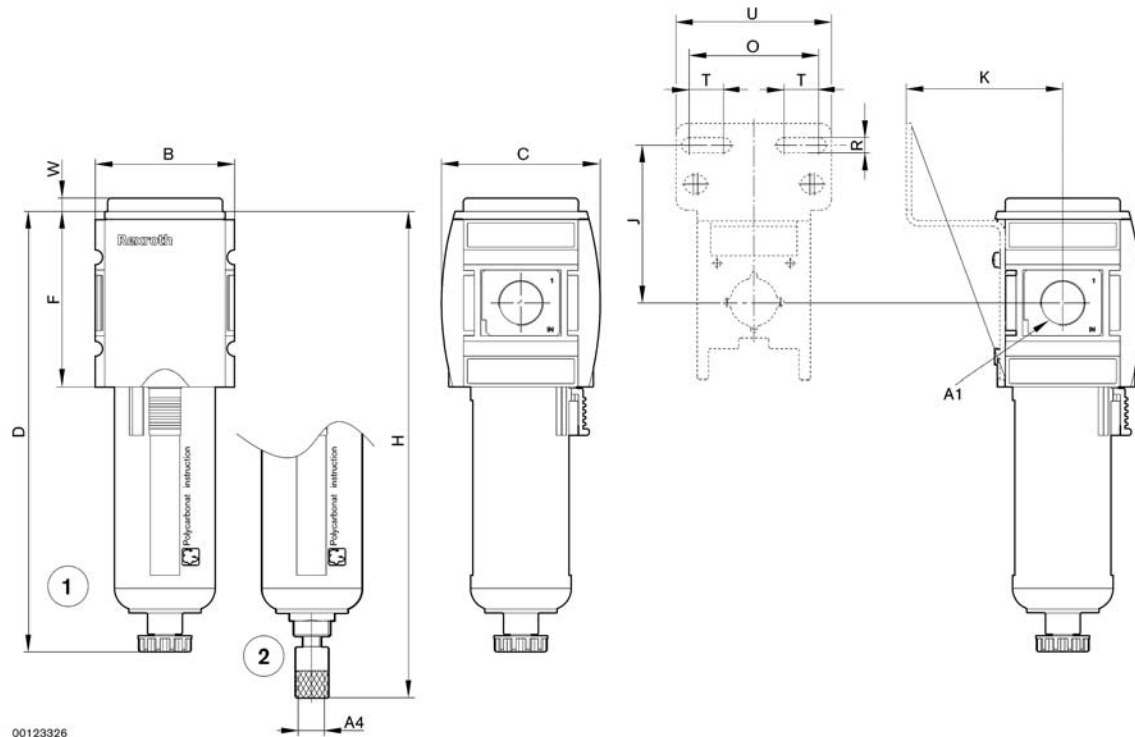
	Accessory	Part no.
	Pre-filter reservoir AS3-CLS *	R412007XXX
	Filter element	R961400140
	Mounting plate AS3-MBR-...-W01	R412007368
	Mounting strap AS3-MBR-...-W03	R412007370
	Block assembly kit AS3-MBR-...-W04	R412007371
	Block assembly kit (G 3/8) AS3-MBR-G038...-W05	R412007366
	Block assembly kit (G 1/2) AS3-MBR-G012...-W05	R412007367

* see accessories

Compr. air maintenance unit, series AS3-Metric

Pre-filter AS3-FLP, G 3/8 - G 1/2, ATEX approved

Rexroth
Bosch Group



- 1) Semi-automatic condensate drain
- 2) Fully automatic condensate drain

A1	A4	B	C	D	F	H	J	K	O	R	T	U	W
G 3/8	G 1/8	63	74	189,5	80	206	72,5	71	60	7	16	72	5
G 1/2	G 1/8	63	74	189,5	80	206	72,5	71	60	7	16	72	5

Compr. air maintenance unit, series AS3-Metric

Coalescing filter AS3-FLC, G 3/8 - G 1/2, ATEX approved

Rexroth
Bosch Group



Technical Data

Type	Micro-filter insert exchangeable	
Supply pressure	See table	
Temperature range	-10 °C to +50 °C (14 °F to +122 °F) *	
Medium	Compressed air	
Weight	See table	
Installation position	vertical	
Materials	Body Thread insert Reservoir Bowl guard Cover Filter element	PA 66, seals Buna-N(NBR) Die-cast zinc Polycarbonate with bayonet catch PA ABS Borsilicate glass fibre
Reservoir capacity	49 cm ³ (1.6 U.S. Fl. oz.) (semi-automatic)	
Filter porosity	0,01 µm	
ATEX	In zone 1 (gas-ex, category 2G) In zone 21 (dust-ex, category 2D) In zone 2 (gas-ex, category 3G) In zone 22 (dust-ex, category 3D)	
Standard	NFE 49004	



* with dried air

Micro filter for the separation of oil, water and solid impurities of up to 0.01 µm from compressed air and gases

For quality classes according to DIN ISO 8573-1

- Solid impurities: class 1

- Oil content: class 1

The filter element must be replaced after a pressure rise Δp of max. 0,35 bar (5 psi) or once a year.

Filter is resistant to mineral oils and synthetic oils

Oil separation, residual oil content < 0.01 mg/m³ at t = 20 °C (68 °F) and p₁ = 7 bar (102 psi)

Plastic containers may only be cleaned with water, soap suds, and other similar, neutral agents.

Part no.

Symbol	Threaded ports	Nominal flow Q _n [l/min] (SCFM) 1) 2)	Supply pressure [bar](psi)	Options	Weight [kg](lbs.)	Part no.
	G 3/8	750 (26)	0,5 - 16 (7 - 232)	PC container with PA protective guard without contamination display semi-automatic, without pressure: open	0,361 (0.796)	R412007036
	G 3/8	750 (26)	1,5 - 16 (21 - 232)	PC container with PA protective guard without contamination display fully automatic, without pressure: open	0,410 (0.904)	R412007037
	G 3/8	750 (26)	0 - 16 (0 - 232)	PC container with PA protective guard without contamination display fully automatic, without pressure: closed	0,410 (0.904)	R412007038
	G 1/2	1200 (42)	0,5 - 16 (7 - 232)	PC container with PA protective guard without contamination display semi-automatic, without pressure: open	0,361 (0.796)	R412007045
	G 1/2	1200 (42)	1,5 - 16 (21 - 232)	PC container with PA protective guard without contamination display fully automatic, without pressure: open	0,410 (0.904)	R412007046
	G 1/2	1200 (42)	0 - 16 (0 - 232)	PC container with PA protective guard without contamination display fully automatic, without pressure: closed	0,410 (0.904)	R412007047

1) At p₁ = 7 bar (102 psi)

2) Δp = 0,09 bar (1.3 psi)

Q = Q_n x f (f = Correction factor for various supply pressures p₁)

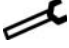
[bar]	p ₁															
	1	2	3	4	5	6	7	8	9	10	11	12	13	14	15	16
[psi]	14	29	43	58	72	87	101	116	130	145	159	174	188	203	217	232
f	0,25	0,38	0,5	0,65	0,75	0,88	1	1,13	1,25	1,38	1,5	1,63	1,75	1,88	2	2,13

Compr. air maintenance unit, series AS3-Metric

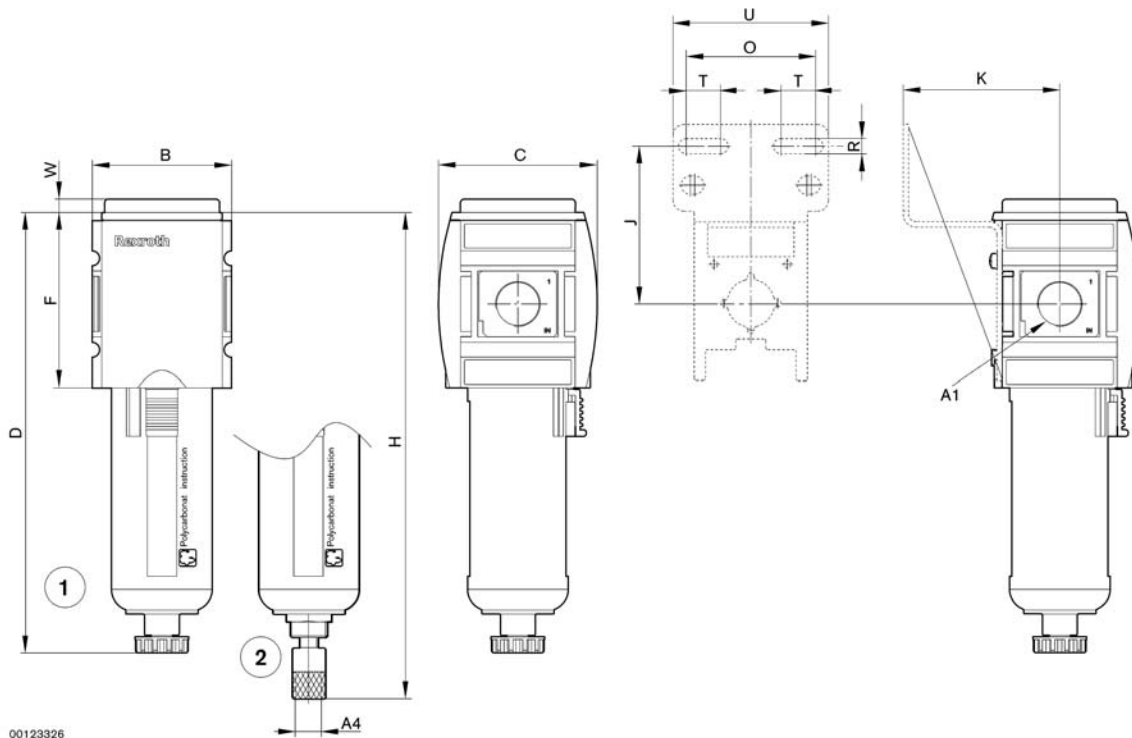
Coalescing filter AS3-FLC, G 3/8 - G 1/2, ATEX approved

Rexroth
Bosch Group

▲ Accessories (to be ordered separately)

	Accessory	Part no.
	Microfilter reservoir AS3-CLS *	R412007XXX
	Contamination display AS	R412006363
	Filter element	R961400141
	Mounting plate AS3-MBR-...-W01	R412007368
	Mounting strap AS3-MBR-...-W03	R412007370
	Block assembly kit AS3-MBR-...-W04	R412007371
	Block assembly kit (G 3/8) AS3-MBR-G038...-W05	R412007366
	Block assembly kit (G 1/2) AS3-MBR-G012...-W05	R412007367

* see accessories



00123326

- 1) Semi-automatic condensate drain
2) Fully automatic condensate drain

A1	A4	B	C	D	F	H	J	K	O	R	T	U	W
G 3/8	G 1/8	63	74	189,5	80	206	72,5	71	60	7	16	72	5
G 1/2	G 1/8	63	74	189,5	80	206	72,5	71	60	7	16	72	5

Compr. air maintenance unit, series AS3-Metric

Active carbon filter AS3-FLA, G 3/8 - G 1/2, ATEX approved

Rexroth
Bosch Group



Technical Data

Type	Filter insert exchangeable	
Supply pressure	See table	
Temperature range	-10 °C to +50 °C (14 °F to +122 °F) *	
Medium	Compressed air	
Weight	See table	
Installation position	vertical	
Materials	Body Thread insert Reservoir Bowl guard Filter element Cover	PA 66, seals Buna-N(NBR) Die-cast zinc Polycarbonate with bayonet catch PA Active carbon ABS
Reservoir capacity	49 cm ³ (1.6 U.S. Fl. oz.)	
ATEX	In zone 1 (gas-ex, category 2G) In zone 21 (dust-ex, category 2D) In zone 2 (gas-ex, category 3G) In zone 22 (dust-ex, category 3D)	



* with dried air

Active carbon filter for absorption of oil vapor in compressed air and gases

For quality classes according to DIN ISO 8573-1

- Solid impurities: class 3

- Humidity - water content: class 8

- Oil content: class 1

Oil separation, residual oil content < 0.005 mg/m³ at t = 20 °C (68 °F) and p1 = 7 bar (102 psi)

A micro filter must be connected upstream as a prefilter

Part no.

Symbol	Threaded ports	Nominal flow Q _n [l/min](SCFM) 1) 2)	Supply pressure [bar](psi)	Weight [kg](lbs.)	Part no.
	G 3/8	1600 (56)	0 - 16 (0 - 232)	0,375 (0.827)	R412007072
	G 1/2	1850 (65)	0 - 16 (0 - 232)	0,375 (0.827)	R412007075

1) At p1 = 7 bar (102 psi)

2) Δp = 0,2 bar (3 psi)

Q = Q_n x f (f = Correction factor for various supply pressures p1)

[bar]	p1															
	1	2	3	4	5	6	7	8	9	10	11	12	13	14	15	16
[psi]	14	29	43	58	72	87	101	116	130	145	159	174	188	203	217	232
f	0,25	0,38	0,5	0,65	0,75	0,88	1	1,13	1,25	1,38	1,5	1,63	1,75	1,88	2	2,13

Accessories (to be ordered separately)

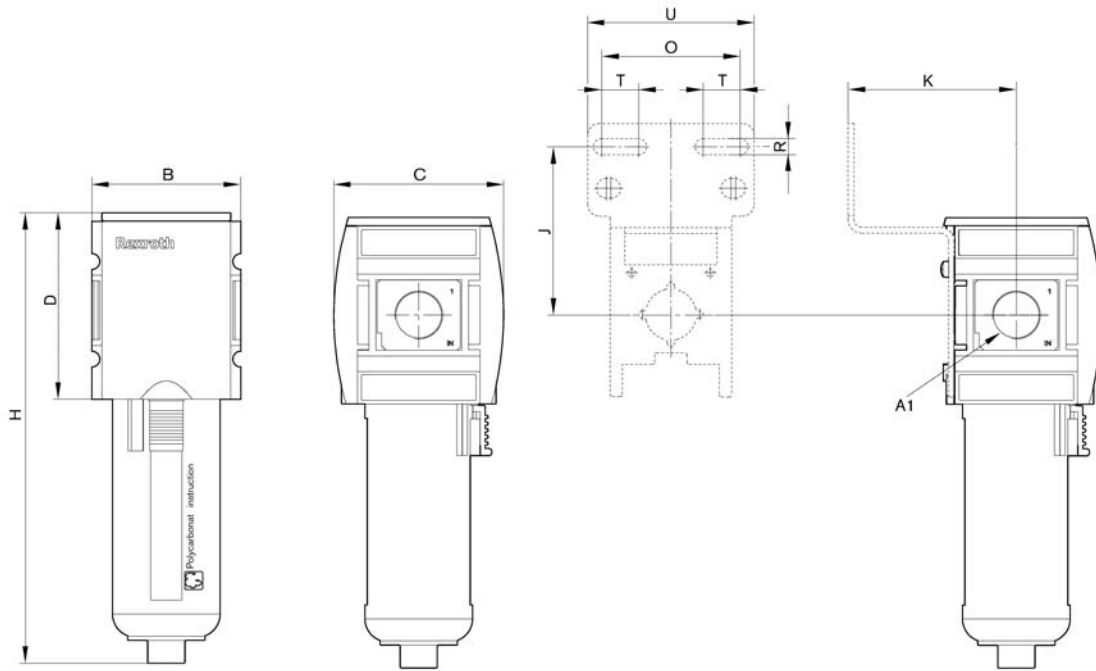
Accessory	Part no.	
	Active carbon filter reservoir AS3-CLA *	R412007347
	Active carbon filter insert	R961400143
	Mounting plate AS3-MBR-...-W01	R412007368
	Mounting strap AS3-MBR-...-W03	R412007370
	Block assembly kit AS3-MBR-...-W04	R412007371
	Block assembly kit (G 3/8) AS3-MBR-G038-...-W05	R412007366
Block assembly kit (G 1/2) AS3-MBR-G012-...-W05	R412007367	

* see accessories

Compr. air maintenance unit, series AS3-Metric

Active carbon filter AS3-FLA, G 3/8 - G 1/2, ATEX approved

Rexroth
Bosch Group



00123327

A1	B	C	D	H	J	K	O	R	T	U
G 3/8	63	74	80	183	72,5	71	60	7	16	72
G 1/2	63	74	80	183	72,5	71	60	7	16	72

Compr. air maintenance unit, series AS3-Metric

Normal mist lubricator AS3-LBS, with automatic oil filling,
G 3/8 - G 1/2, ATEX approved

Rexroth
Bosch Group



Technical Data

Type	Inspection glass with slotted screw for oil metering Can be filled with oil during operation	
Supply pressure	See table	
Temperature range	-10 °C to +50 °C (14 °F to +122 °F) *	
Medium	Compressed air	
Weight	See table	
Installation position	vertical	
Materials	Body Thread insert Reservoir Bowl guard Seal	PA 66, seals Buna-N(NBR) Die-cast zinc Polycarbonate with bayonet catch PA ABS
Reservoir capacity	80 cm ³ (2.7 U.S. Fl. oz.)	
ATEX	In zone 1 (gas-ex, category 2G) In zone 21 (dust-ex, category 2D) In zone 2 (gas-ex, category 3G) In zone 22 (dust-ex, category 3D)	



* with dried air

Oil type: HL 68 (DIN 51 524 - ISO VG 68)

Standard values for oil metering: 1-2 drops / min at a nominal flow rate of $Q_n = 1000 \text{ NI} / \text{min}$ (35.30 SCFM)

Plastic containers may only be cleaned with water, soap suds, and other similar, neutral agents.

The unit is equipped with an automatic oil filling (standard). A threaded connector is located in the lower section of the container that can be used to connect a hose to the oil tank.

Pressing the oil top-up button opens a Venturi nozzle that provides a vacuum in the upper section of the container. This suctions the oil into the container.

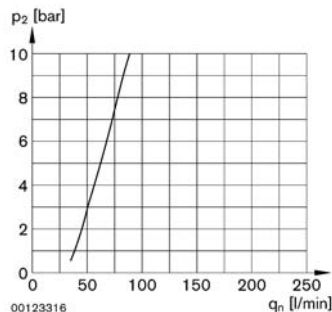
Part no.

Symbol	Threaded ports	Nominal flow Q_n [l/min] (SCFM)	Supply pressure [bar](psi)	Options	Weight [kg](lbs.)	Part no.
	G 3/8	8000 (282)	0,5 - 16 (7 - 232)	PC container with PA protective guard	0,343 (0.756)	R412007225
	G 1/2	8000 (282)	0,5 - 16 (7 - 232)	PC container with PA protective guard	0,343 (0.756)	R412007231

Accessories (to be ordered separately)

	Accessory	Part no.
	Normal-mist lubricator reservoir AS3-CBS *	R412007352
	Lubricator metering set, polycarbonate	R961400032
	Pneumatic oil, 1 litre	1829990046
	Mounting plate AS3-MBR-...-W01	R412007368
	Mounting strap AS3-MBR-...-W03	R412007370
	Block assembly kit AS3-MBR-...-W04	R412007371
Block assembly kit (G 3/8) AS3-MBR-G038...-W05	R412007366	
Block assembly kit (G 1/2) AS3-MBR-G012...-W05	R412007367	

Lubrication activation margin

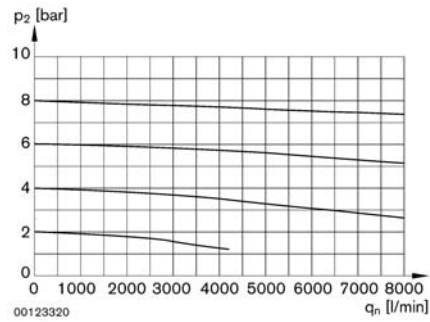


p_2 = Secondary pressure; $q_{n \text{ min}}$ = Min. nominal flow

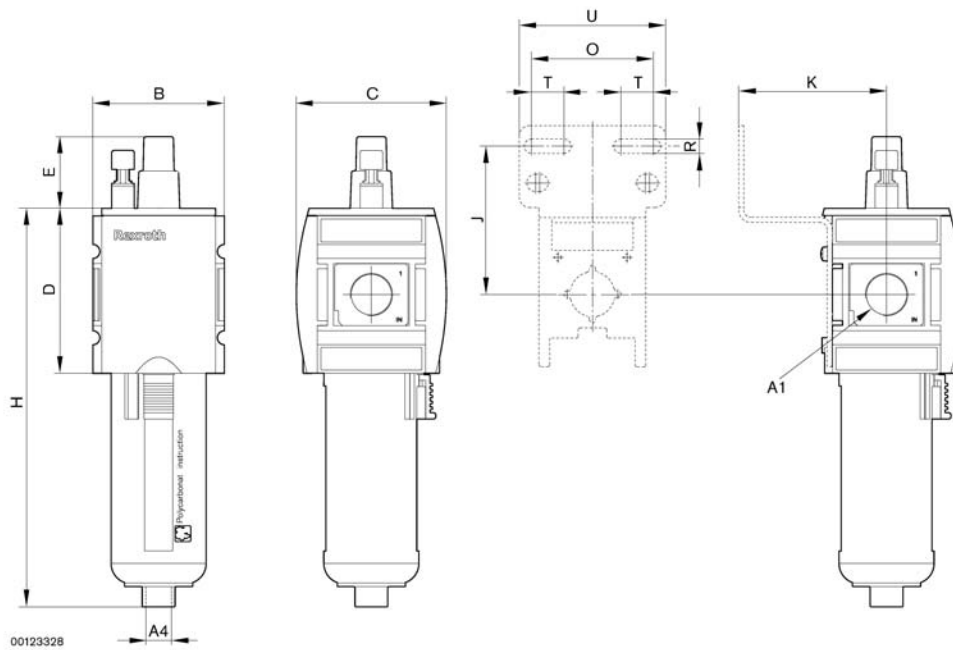
Compr. air maintenance unit, series AS3-Metric

Normal mist lubricator AS3-LBS, with automatic oil filling,
G 3/8 - G 1/2, ATEX approved

Flow rate characteristic



p_1 = Supply pressure; p_2 = Secondary pressure; q_n = Nominal flow



A1	A4	B	C	D	E	H	J	K	O	R	T	U
G 3/8	G 1/8	63	74	80	26	183	72,5	71	60	7	16	72
G 1/2	G 1/8	63	74	80	26	183	72,5	71	60	7	16	72

Compr. air maintenance unit, series AS3-Metric

Distributor block AS3-DIS, 3-way, G 3/8 - G 1/2, ATEX approved

Rexroth
Bosch Group



Technical Data

Nominal flow	Q _n	See table
Operating pressure		0 - 16 bar (0 to 232 psi)
Ambient temperature range		-10 °C to +50 °C (14 °F to +122 °F) *
Medium		Compressed air
Weight		See table
Installation position		any
Materials	Body Threaded insert Cover	PA 66, seals Buna-N(NBR) Zn-die cast ABS
ATEX	In zone 1 (gas-ex, category 2G) In zone 21 (dust-ex, category 2D) In zone 2 (gas-ex, category 3G) In zone 22 (dust-ex, category 3D)	



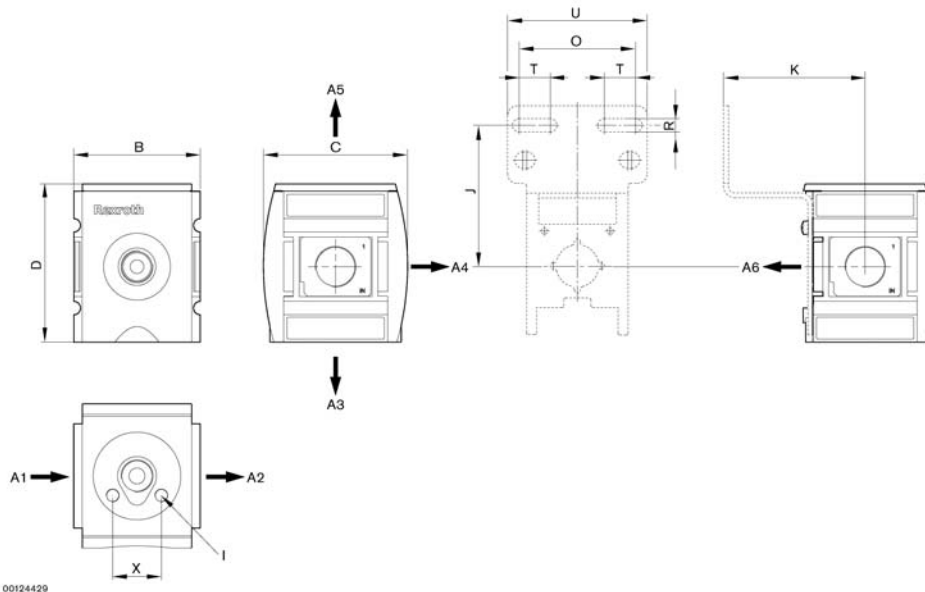
Suitable for flange assembly of a mechanical vacuum/pressure switch

Part no.

Symbol	Threaded ports	Nominal flow Q _n [l/min] (SCFM)	Weight [kg] (lbs)	Part no.
	G 3/8	7250 (256) (A1-A2) 5500 (194) (A1-A3) 2250 (79) (A1-A4) 2250 (79) (A1-A5) 2250 (79) (A1-A6)	0,320 (0.705)	R412007250
	G 1/2	7250 (256) (A1-A2) 5500 (194) (A1-A3) 2250 (79) (A1-A4) 2250 (79) (A1-A5) 2250 (79) (A1-A6)	0,320 (0.705)	R412007251

Accessories (to be ordered separately)

Accessory	Part no.
Mechanical pressure switch, pabs = 0.1 - 1 bar (1 - 15 psi)	0821100020
Mechanical vacuum/pressure switch, p1 = 0,2 - 3 bar (2 - 43 psi)	0821100021
Mechanical vacuum/pressure switch, p1 = 0,5 - 8 bar (7 - 116 psi)	0821100022
Mechanical pressure switch, p1 = 1 - 16 bar (15 - 232 psi)	R961400021
Mounting plate AS3-MBR-...-W01	R412007368
Mounting strap AS3-MBR-...-W03	R412007370
Block assembly kit AS3-MBR-...-W04	R412007371
Block assembly kit (G 3/8) AS3-MBR-G038...-W05	R412007366
Block assembly kit (G 1/2) AS3-MBR-G012...-W05	R412007367
Seals for pressure switch	R961400021



A1 A2	A3	A4 A6	A5	B	C	D	I	J	K	O	R	T	U	X
G 3/8	G 1/2	G 3/8	G 1/4	63	74	80,5	M5	72,5	71	60	7	16	72	20
G 1/2	G 1/2	G 3/8	G 1/4	63	74	80,5	M5	72,5	71	60	7	16	72	20

Compr. air maintenance unit, series AS2 and AS3

Accessories Index

Rexroth
Bosch Group



	Page
AS2 Mounting bracket.....	124
AS2 Mounting strap	125
AS2 Block assembly kit.....	126
AS2 Mounting flange kit, inch version	127
AS2 Mounting flange kit, metric version	128
AS2 Control panel nut.....	129
AS2 Transition plate, CNOMO	130
AS2 Reservoir.....	131
AS3 Mounting bracket.....	133
AS3 Mounting strap	134
AS3 Block assembly kit.....	135
AS3 Mounting flange kit, inch version	136
AS3 Mounting flange kit, metric version	137
AS3 Control panel nut.....	138
AS3 Reservoir.....	139
AS2 or AS3 Pressure switch, mechanical	141
AS2 or AS3 Contamination display	143
AS2 or AS3 Pressure gauge	144

Compr. air maintenance unit, series AS2

Mounting bracket AS2-MBR-...-W01



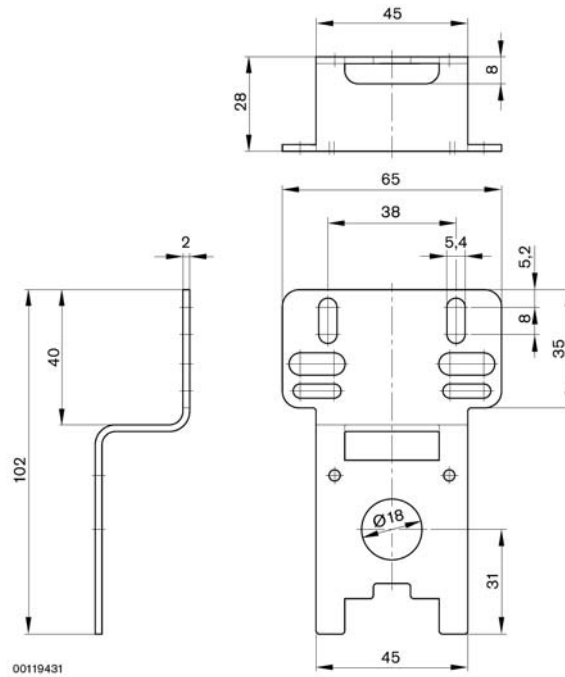
★ Mounting plate AS2-MBR-...-W01

Weight	See table
Materials	Sheet metal, galvanized
Suitable for all individual devices 2 screws supplied loose	Self-tapping Torx screws



★ Part no.

Weight [lbs]	Part no.
0.14	R412006368



A	B	C	D	E	F	G	H	I	L	O	R	T	U
1.890	0.315	1.102	4.016	1.575	0.079	0.205	1.378	1.220	0.787	1.496	0.213	0.315	2.559

Dimensions in inches

Compr. air maintenance unit, series AS2

Mounting strap AS2-MBR-...-W03

Rexroth
Bosch Group

★ Mounting strap AS2-MBR-...-W03

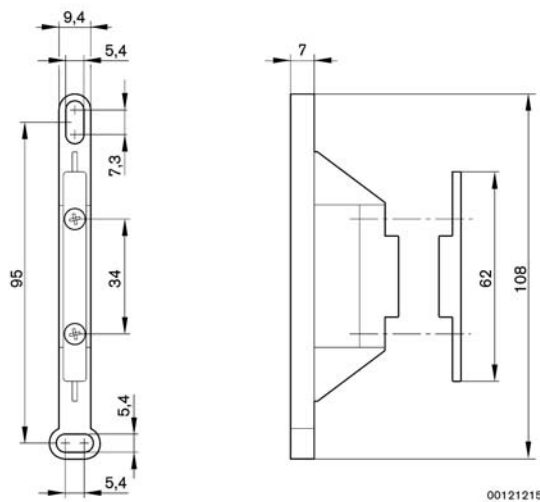
Weight	See table
Materials	PA 66 (Polyamide 6.6)

Suitable for all individual devices
2 screws supplied loose



★ Part no.

Weight [lbs]	Part no.
0.03	R412006370



A	B	C	D	E	F	G	H	I
4.252	2.441	3.740	0.287	1.339	0.213	0.276	0.370	0.213

Dimensions in inches

Compr. air maintenance unit, series AS2

Block assembly kit AS2-MBR-...-W04



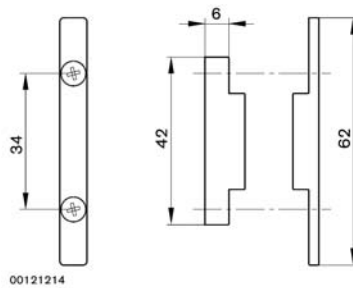
★ Block assembly kit AS2-MBR-...-W04

Weight	See table
Materials	PA 66 (Polyamide 6.6)
2 screws supplied loose	



★ Part no.

Weight [lbs]	Part no.
0.02	R412006371



A	B	C	D
2.441	1.654	1.339	0.236

Dimensions in inches

Compr. air maintenance unit, series AS2-Inch

Mounting flange kit AS2-MBR-...-W05 Inch Version



★ Mounting flange kit AS2-MBR-...-W05

Weight See table

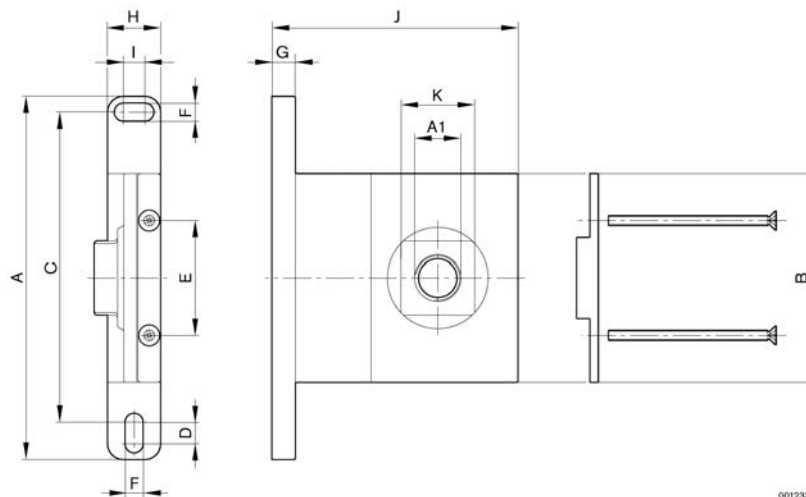
Materials Zn - diecasting

▶ Two block assembly elements (IN/OUT)
4 mounting screws and 2 O-rings supplied loose



★ Part no.

Threaded ports	Weight [lbs]	Part no.
1/4-18 NPTF	1.047	R432000729
3/8-18 NPTF	1.047	R432000730



00123309

A1	A	B	C	D	E	F	G	H	I	J	K
1/4 NPTF	4.26	2.443	3.61	0.288	1.34	0.213	0.276	0.63	0.288	2.87	0.867
3/8 NPTF	4.26	2.443	3.61	0.288	1.34	0.213	0.276	0.63	0.288	2.87	0.867

Dimensions in inches

Compr. air maintenance unit, series AS2-Metric

Mounting flange kit AS2-MBR-...-W05 Metric version



★ Mounting flange kit AS2-MBR-...-W05

Weight See table

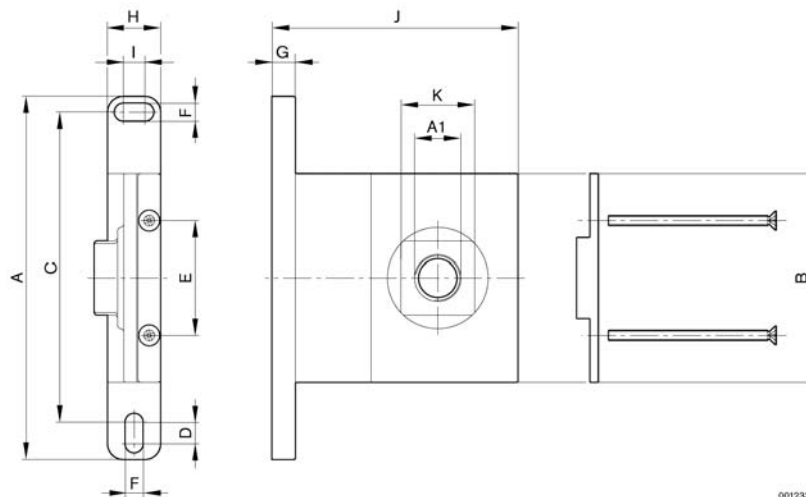
Materials Zn - diecasting

▶ Two block assembly elements (IN/OUT)
4 mounting screws and 2 O-rings supplied loose



★ Part no.

Threaded ports	Weight [kg](lbs.)	Part no.
G 1/4	0,475 (1.047)	R412006366
G 3/8	0,475 (1.047)	R412006367



00123309

A1	A	B	C	D	E	F	G	H	I	J	K
G 1/4	108	62	91,5	7,3	34	5,4	7	16	7,3	73	22
G 3/8	108	62	91,5	7,3	34	5,4	7	16	7,3	73	22

Compr. air maintenance unit, series AS2

Control panel nut AS2-MBR-...-W06 (for Inch or Metric versions)



★ **Control panel nut AS2-MBR-...-W06**

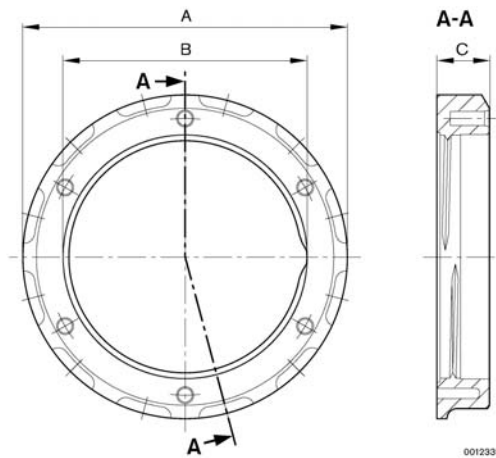
Weight See table

Materials PA 66 (Polyamide 6.6)



★ **Part no.**

Weight [lbs]	Part no.
0.013	R412006372



A	B	C
1.891	M36x1,5	0.315

Dimensions in inches

Compr. air maintenance unit, series AS2

Transition plate AS2-...-CNOMO

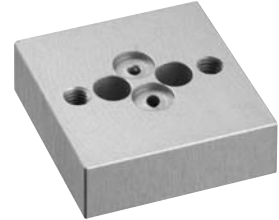


★ Transition plate AS2-...-CNOMO

Weight See table

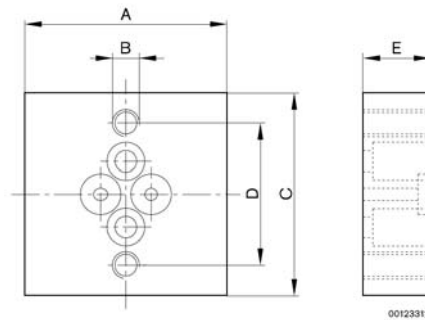
Materials Aluminum

2 attachment bolts supplied loose



★ Part no.

Weight [lbs]	Part no.
0.055	R412006360



A	B	C	D	E
1.182	M4	1.182	0.827	0.394

Dimensions in inches

Compr. air maintenance unit, series AS2

Reservoir AS2-CBS/-CLA/-CLS



★ Reservoir AS2-CBS/-CLA/-CLS

Materials Reservoir Polycarbonate with bayonet catch
 Protective guard PA

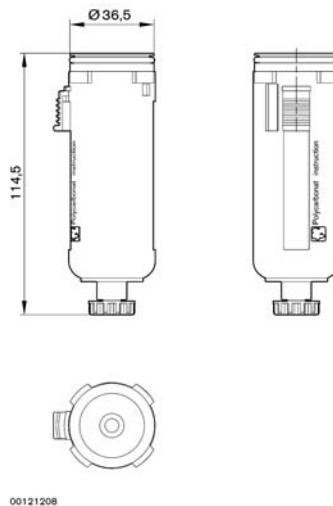
Plastic containers may only be cleaned with water, soap suds, and other similar, neutral agents.



➔ ★ Part no.

For threaded ports	With options	Weight [lbs]	Part no.
NPTF or G	PC container (standard) with PA protective guard, semi-automatic, without pressure: open	0.17	R412006338
NPTF or G	PC container (standard) with PA protective guard, fully automatic, without pressure: open	0.26	R412006339
NPTF or G	PC container (standard) with PA protective guard, fully automatic, without pressure: closed	0.26	R412006340
NPTF or G	PC container, activated carbon filter, with PA protective guard	1.7	R412006347
NPTF or G	PC container, lubricator	1.7	R412006352

Standard PC container with PA protective guard, semi-automatic, without pressure: open



Part no.	A	B
R412006338	1.437	4.508

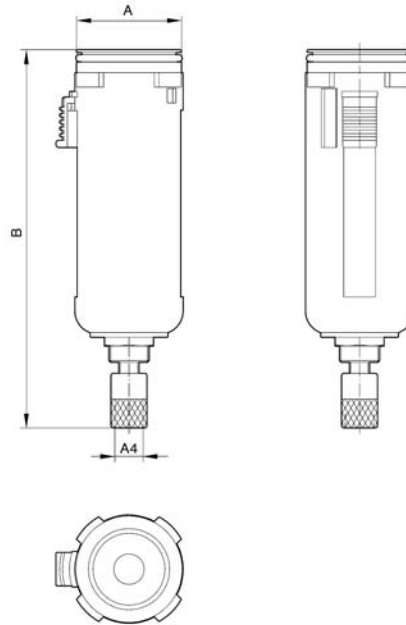
Dimensions in inches

Compr. air maintenance unit, series AS2

Reservoir AS2-CBS/-CLA/-CLS

Rexroth
Bosch Group

Standard PC container with PA protective guard, fully automatic, without pressure: open

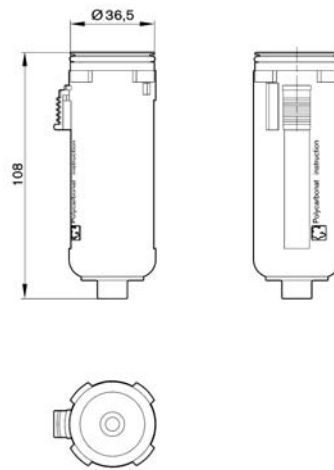


00121207

Part no.	A4	A	B
R412006339	G 1/8	1.437	5.177
R412006340	G 1/8	1.437	5.177

Dimensions in inches

PC container, activated carbon filter / oil-mist lubricator with PA protective guard



00121209

Part no.	Model	A	B
R412006347	CLA	1.437	4.252
R412006352	CBS	1.437	4.252

Dimensions in inches

Compr. air maintenance unit, series AS3

Mounting bracket AS3-MBR-...-W01



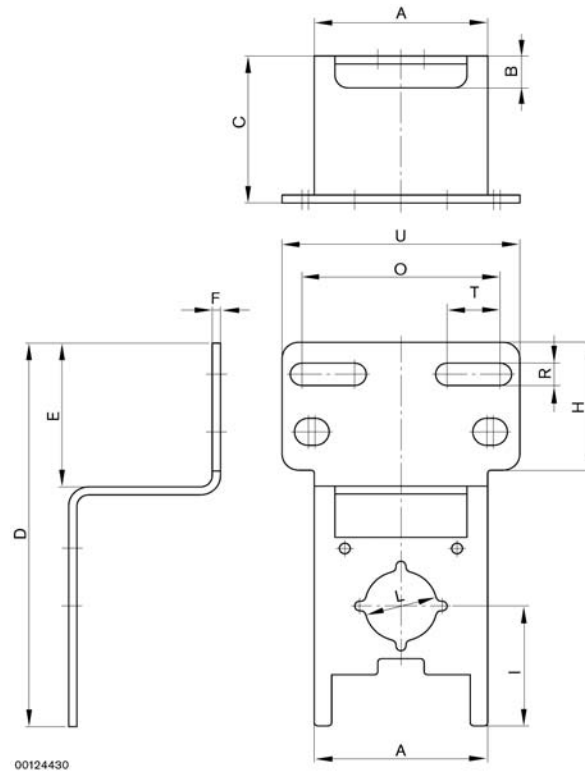
★ **Mounting bracket AS3-MBR-...-W01**

Weight	See table
Materials	Sheet metal, galvanized
Suitable for all individual devices 2 screws supplied loose	Self-tapping Torx screws



★ **Part no.**

Weight [lbs.]	Part no.
0.287	R412007368



A	B	C	D	E	F	G	H	I	L	O	R	T	U
2.067	0.394	1.811	4.724	1.772	0.098	0.394	1.575	1.476	0.866	2.362	0.276	0.630	2.835

Dimensions in inches

Compr. air maintenance unit, series AS3

Mounting strap AS3-MBR-...-W03

★ Mounting strap AS3-MBR-...-W03

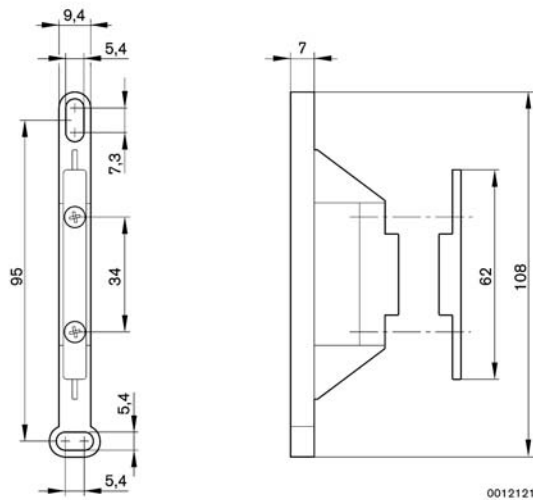
Weight	See table
Materials	PA 66 (Polyamide 6.6)

Suitable for all individual devices
2 screws supplied loose



★ Part no.

Weight [lbs.]	Part no.
0.121	R412007370



A	B	C	D	E	F	G	H	I
4.724	2.953	4.094	0.315	1.654	0.252	0.472	0.472	0.315

Dimensions in inches

Compr. air maintenance unit, series AS3

Block assembly kit AS3-MBR-...-W04



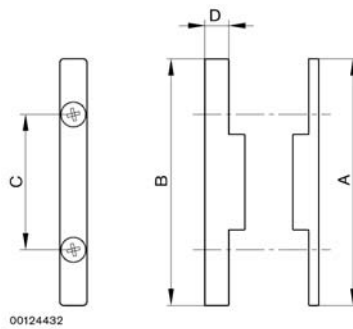
★ Block assembly kit AS3-MBR-...-W04

Weight	See table
Materials	PA 66 (Polyamide 6.6)
2 screws supplied loose	



★ Part no.

Weight [lbs.]	Part no.
0.071	R412007371



A	B	C	D
2.953	2.953	1.654	0.492

Dimensions in inches

Compr. air maintenance unit, series AS3-Inch

Mounting flange kit kit AS3-MBR-...-W05 Inch version



★ Mounting flange kit AS3-MBR-...-W05

Weight See table

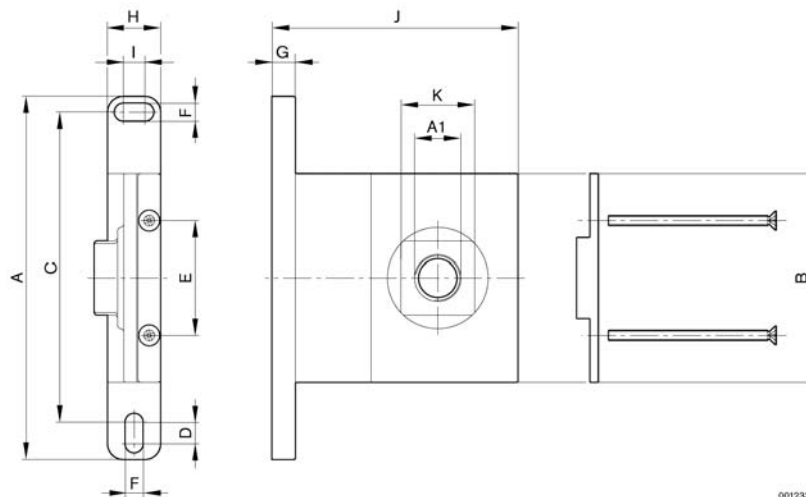
Materials Zn - diecasting

▶ Two block assembly elements (IN/OUT)
4 mounting screws and 2 O-rings supplied loose



▶ ★ Part no.

Threaded ports	Weight [lbs.]	Part no.
3/8 NPTF	1.82	R432002017
1/2 NPTF	1.82	R432002018



00123309

A1	A	B	C	D	E	F	G	H	I	J	K
3/8 NPTF	4.724	2.953	4.094	0.315	1.654	0.252	0.276	0.787	0.315	4.035	1.181
1/2 NPTF	4.724	2.953	4.094	0.315	1.654	0.252	0.276	0.787	0.315	4.035	1.181

Dimensions in inches

Compr. air maintenance unit, series AS3-Metric

Mounting flange kit AS3-MBR-...-W05 Metric version



★ Mounting flange kit AS3-MBR-...-W05

Weight See table

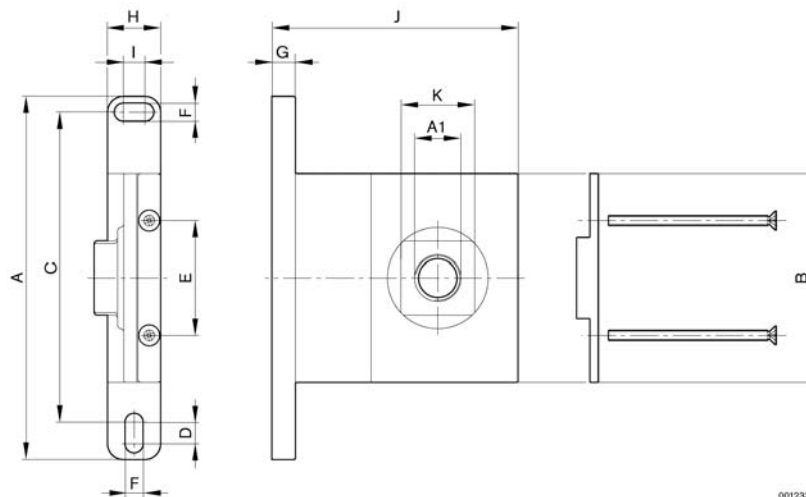
Materials Zn - diecasting

▶ Two block assembly elements (IN/OUT)
4 mounting screws and 2 O-rings supplied loose



★ Part no.

Threaded ports	Weight [kg](lbs.)	Part no.
G 3/8	0,825 (1.82)	R412007366
G 1/2	0,825 (1.82)	R412007367



A1	A	B	C	D	E	F	G	H	I	J	K
G 3/8	120	75	104	8	42	6,4	7	20	8	102,5	30
G 1/2	120	75	104	8	42	6,4	7	20	8	102,5	30

Compr. air maintenance unit, series AS3

Control panel nut AS3-MBR-...-W06 (for Inch or Metric versions)



★ Control panel nut AS3-MBR-...-W06

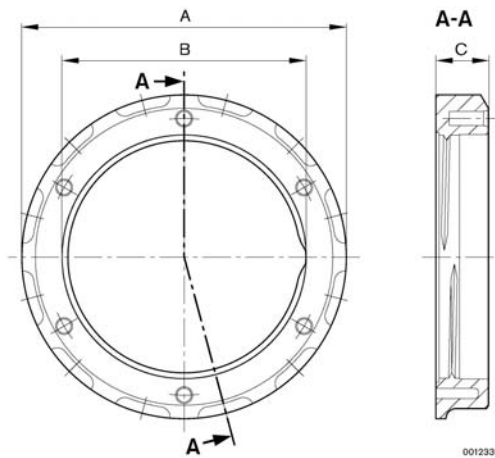
Weight See table

Materials PA 66 (Polyamide 6.6)



★ Part no.

Weight [lbs.]	Part no.
0.013	R412007372



A	B	C
M42x1,5	2.185	0.315

Dimensions in inches

Compr. air maintenance unit, series AS3

Reservoir AS3-CBS/-CLA/-CLS



★ Reservoir AS3-CBS/-CLA/-CLS

Materials Reservoir Polycarbonate with bayonet catch
 Protective guard PA

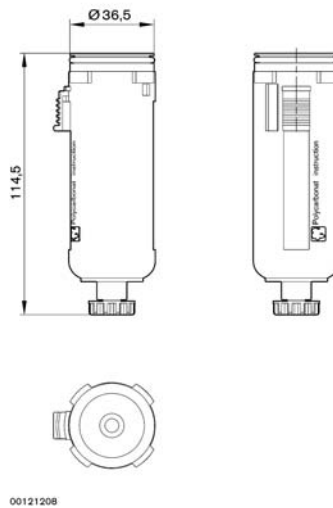
Plastic containers may only be cleaned with water, soap suds, and other similar, neutral agents.



★ Part no.

For threaded ports	Options	Weight [lbs.]	Part no.
NPTF or G	PC container (standard) with PA protective guard, semi-automatic, without pressure: open	0.190	R412007338
NPTF or G	PC container (standard) with PA protective guard, fully automatic, without pressure: open	0.256	R412007339
NPTF or G	PC container (standard) with PA protective guard, fully automatic, without pressure: closed	0.256	R412007340
NPTF or G	PC container, activated carbon filter, with PA protective guard	0.190	R412007347
NPTF or G	PC container, lubricator	0.190	R412007352

Standard PC container with PA protective guard, semi-automatic, without pressure: open



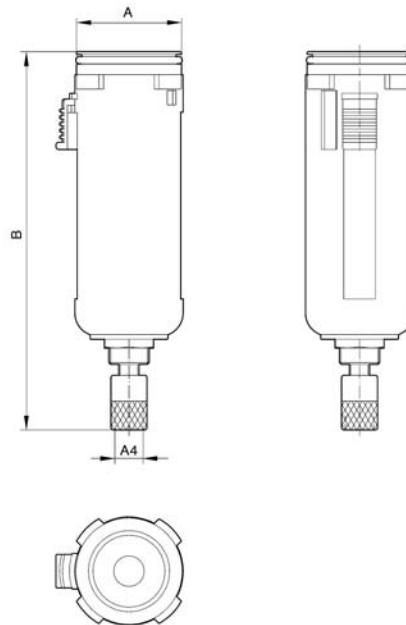
Part no.	A	B
R412007338	1.724	5.059

Dimensions in inches

Compr. air maintenance unit, series AS3

Reservoir AS3-CBS/-CLA/-CLS

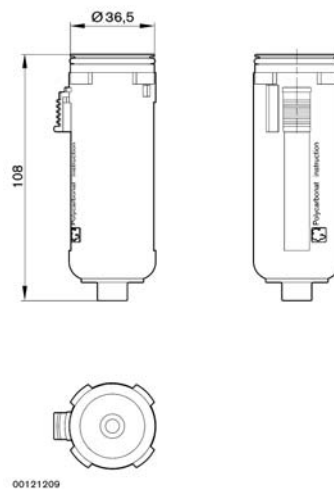
Standard PC container with PA protective guard, fully automatic, without pressure: open



Part no.	A4	A	B
R412007339	G 1/8	1.724	5.709
R412007340	G 1/8	1.724	5.709

Dimensions in inches

PC container, activated carbon filter / oil-mist lubricator with PA protective guard



Part no.	Model	A	B
R412007347	CLA	1.724	4.803
R412007352	CBS	1.724	4.803

Dimensions in inches

Compr. air maintenance unit, series AS2 or AS3

Mechanical pressure switch, series PM1, ATEX
Flange connection G1/4

Rexroth
Bosch Group



Technical Data

Type	Diaphragm, spring loaded	
Operating pressure range	see table	
Protection against overpressure	80 bar (1160 psi)	
Switching precision	± 3 % (based on center range range)	
Ambient temperature range	-25 °C to +80 °C (-13 °F to +176 °F)	
Medium	compressed air, hydraulic oil	
Installation position	any	
Weight	0,2 kg (0.4 lbs)	
Materials	Body Seals	Al Perbunan Viton (ATEX)
Switching element	Micro switch (change-over contact)	
Max. switching voltage	250 V DC/AC 24 V for M12	
Max. switching capacity, ohmic load	24/60/110/220 V AC	15/12/7/7 A
Max. switching capacity, inductiv load	24/60/110/220 V AC	12/9/5/5 A
Max. switching capacity, ohmic load	24/60/110/220 V DC	10/1,5/0,65/0,25 A
Max. switching capacity, inductiv load	24/60/110/220 V DC	8/1/0,4/0,15 A
with spark-quenching	24/60/110/220 V DC	100 min -1
Max. switching frequency	15 g, closing time 11ms	
Max. Shock resistance	via standardized electrical connector	
Electrical connection	3 +PE	
Number of pins	IP 65 (NEMA 4)	
Protection class (DIN 40 050)		



ATEX **Electrical connector All 3GD Eex n AC II T6 IP65 (NEMA 4) 80°C (176°F)**

Part number, flange connection, includes electrical connector

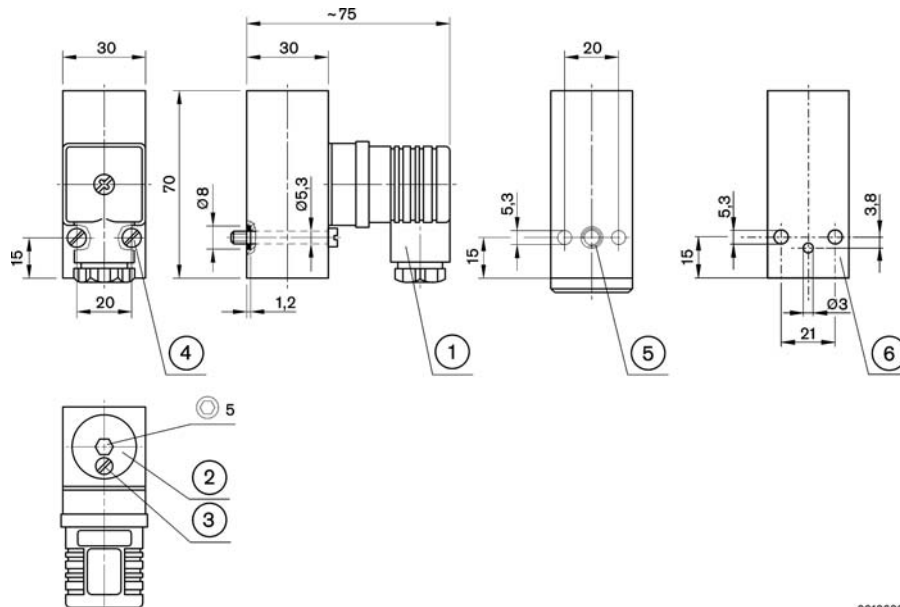
	Mechanical vacuum switch, pabs = -13 ... 0 psi, micro switch function:increase pressure p	Part no. 0821100020
	Mechanical pressure switch, p1 = 2 ... 43 psi, micro switch function:contact 1-2	0821100021
	Mechanical pressure switch, p1 = 15 ... 232 psi, micro switch function:switched to 1-3	0821100023

Compr. air maintenance unit, series AS2 or AS3

Mechanical pressure switch, series PM1, ATEX
Flange connection G1/4

Rexroth
Bosch Group

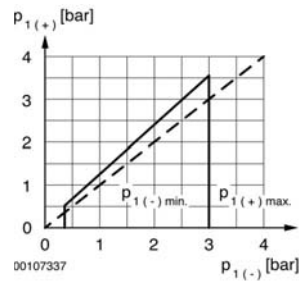
flange connection 0821100020 / 0821100021 / 0821100023



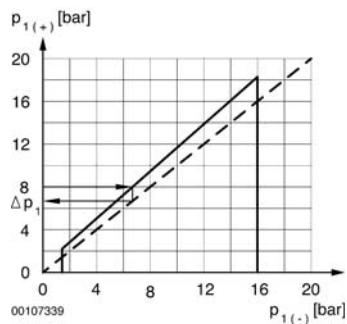
00106001

- 1) Electrical connector 2) Adjusting screw 3) Adjustment protection
4) Cylinder screw M5 5) O-ring 6) Flange connection CNOMO 060580

Differential switching pressure characteristic curve ($p_{1(+)} - p_{1(-)}$) 0821100021



Differential switching pressure characteristic curve ($p_{1(+)} - p_{1(-)}$) 0821100023



Compr. air maintenance unit, series AS2 or AS3

Contamination display AS2 or AS3



★ Contamination display AS2-Inch

Weight See table

Materials Body POM
Level indicator Polycarbonate

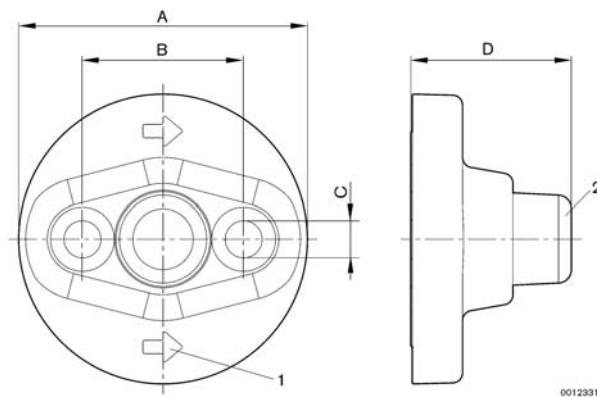
▶ Contamination display for microfilter AS2-FLC

2 mounting screws (M5x20; DIN 965) and 2 O-rings (4x1.5; DIN 3771) supplied loose



★ Part no.

Weight (lbs)	Part no.
0.055	R412006363



1) Flow direction

2) Display: green = $\Delta p < 0.35$ bar [5 psi] (5 psi); red = $\Delta p \geq 0.35$ bar [5 psi] (85 psi)

A	B	C	D
1.694	0.945	0.217	0.945

Dimensions in inches

Compr. air maintenance unit, series AS2 or AS3

Vacuum-type pressure gauge (for Inch or Metric versions)

Rexroth
Bosch Group

★ Vacuum-type pressure gauge

Type Bourdon tube pressure gauge
Ambient temperature +50 °C (+122 °F)
Medium Compressed air
Weight See table

Materials Body Plastic

Scales: bar = green, psi = white, background = black, pointer = white
Class 2,5
Seal: PTF seal (reusable)



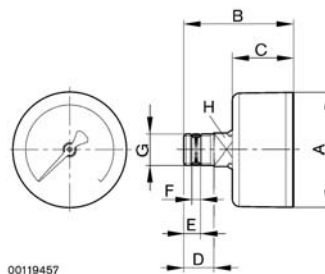
★ Part no.

Symbol	Ø	Threaded port	Display range/ scale value [bar](psi)	Pressure range of application 1) [bar](psi)	With options	Weight [kg](lbs.)	Part no.
	50	G 1/4	0 - 1,6 (0 - 23)	0 - 1,2 (0 - 17)	Pressure gauge	0,090 (0.2)	R412004413
	50	G 1/4	0 - 2,5 (0 - 36)	0 - 2 (0 - 29)	Pressure gauge	0,090 (0.2)	R412004414
	50	G 1/4	0 - 4 (0 - 58)	0 - 3,2 (0 - 46)	Pressure gauge	0,090 (0.2)	R412004415
	50	G 1/4	0 - 6 (0 - 87)	0 - 4 (0 - 58)	Pressure gauge	0,090 (0.2)	R412004416
	50	G 1/4	0 - 10 (0 - 145)	0 - 8 (0 - 116)	Pressure gauge	0,090 (0.2)	R412004417
	50	G 1/4	0 - 16 (0 - 232)	0 - 10 (0 - 145)	Pressure gauge	0,090 (0.2)	R412004418

1) Can bear short-term loads up to max. scale reading. Conversion: 1 bar = 14.5 psi or 1 psi = 0.0689 bar

★ Accessories (to be ordered separately)

Accessory	Part no.
Pressure gauge fitting G1/4, tube ID 4	1823391082
Pressure gauge fitting G1/4, tube ID 6	1823391083



Ø	A	B	C	D	E	F	G	H
50	49	47,5	26,5	13	7,2	3,7	G 1/4	SW14

NOTICES TO PRODUCT USERS

1. WARNING: FLUID MEDIA

Bosch Rexroth pneumatic devices are designed and tested for use with filtered, clean, dry, chemical free air at pressures and temperatures within the specified limits of the device. For use with media other than air or for human life support systems, Bosch Rexroth must be consulted. Hydraulic cylinders are designed for operation with filtered, clean, petroleum based hydraulic fluid; operation using fire-resistant or other special types of fluids may require special packing and seals. Consult the factory.

2. WARNING: MATERIAL COMPATIBILITY

Damage to product seals or other parts caused by the use of non-compatible lubricants, oil additives or synthetic lubricants in the air system compressor or line lubrication devices voids Bosch Rexroth's warranty and can result in product failure or other malfunction. See lubrication recommendations below.

AIR LINE LUBRICANTS! In service higher than 18 cycles per minute or with continuous flow of air through the device, an air line lubricator is recommended.* (Do not use line lubrication with vacuum products.) However, the lubricator must be maintained since the oil will wash out the grease, and lack of lubrication will greatly shorten the life expectancy. The oils used in the lubricator must be compatible with the elastomers in the device. The elastomers are normally BUNA-N, NEOPRENE, VITON, SILICONE and HYTREL. Bosch Rexroth recommends the use of only petroleum based oils without synthetic additives, and with an aniline point between 180° F and 210° F.

COMPRESSOR LUBRICANTS! All compressors (with the exception of special "oil free" units) pass oil mist or vapor from the internal crankcase lubricating system through to the compressed air. Since even small amounts of non-compatible lubricants can cause severe seal deterioration (which could result in component and system failure) special care should be taken in selecting compatible compressor lubricants. It is recommended that users review the National Fluid Power Association "Recommended Guide Lines For Use Of Synthetic Lubricants In Pneumatic Fluid Power Systems" (NFPA T1.9.2-1978).

3. WARNING: INSTALLATION AND MOUNTING

The user of these devices must conform to all applicable electrical, mechanical, piping and other codes in the installation, operation or repair of these devices.

INSTALLATION ! Do not attempt to install, operate or repair these

--Refer to the appropriate service catalog for parts and service information.

devices without proper training in the technique of working on pneumatic or hydraulic systems and devices, unless under trained supervision.

Compressed air and hydraulic systems contain high levels of stored energy. Do not attempt to connect, disconnect or repair these products when a system is under pressure. Always exhaust or drain the pressure from a system before performing any service work. Failure to do so can result in serious personal injury.

MOUNTING! Devices should be mounted and positioned in such a manner that they cannot be accidentally operated.

4. WARNING: APPLICATION AND USE OF PRODUCTS

The possibility does exist for any device or accessory to fail to operate properly through misuse, wear or malfunction. The user must consider these possibilities and should provide appropriate safe guards in the application or system design to prevent personal injury or property damage in the event of a malfunction.

5. WARNING: CONVERSION, MAINTENANCE AND REPAIR

When a device is disassembled for conversion to a different configuration, maintenance or repair, the device must be tested for leakage and proper operation after being reassembled and prior to installation.

MAINTENANCE AND REPAIR! Maintenance periods should be scheduled in accordance with frequency of use and working conditions. All Bosch Rexroth products should provide a minimum of 1,000,000 cycles of maintenance free service when used and lubricated as recommended. However, these products should be visually inspected for defects and given an "in system" operating performance and leakage test once a year. Where devices require a major repair as a result of the one million cycles, one year, or routine inspection, the device must be disassembled, cleaned, inspected, parts replaced as required, rebuilt and tested for leakage and proper operation prior to installation. See individual catalogs for specific cycle life estimates.

6. PRODUCT CHANGES

Product changes including specifications, features, designs and availability are subject to change at any time without notice. For critical dimensions or specifications, contact factory.

*Many Bosch Rexroth pneumatic valves and cylinders can operate with or without air line lubrication; see individual sales catalogs for details.

LIMITATIONS OF WARRANTIES & REMEDIES

Bosch Rexroth warrants its products sold by it to be free from defects in material and workmanship to the following:

For twelve months after shipment Bosch Rexroth will repair or replace (F.O.B. our works), at its option, any equipment which under normal conditions of use and service proves to be defective in material or workmanship at no charge to the purchaser. No charge will be made for labor with respect to defects covered by this Warranty, provided that the work is done by Bosch Rexroth or any of its authorized service facilities. However, this Warranty does not cover expenses incurred in the removal and reinstallation of any product, nor any downtime incurred, whether or not proved defective.

All repairs and replacement parts provided under this Warranty policy will assume the identity, for warranty purposes, of the part replaced, and the warranty on such replacement parts will expire when the warranty on the original part would have expired. Claims must be submitted within thirty days of the failure or be subject to rejection.

This Warranty is not transferable beyond the first using purchaser. Specifically, excluded from this Warranty are failures caused by misuse, neglect, abuse, improper operation or filtration, extreme temperatures, or unauthorized service or parts. This Warranty also excludes the use of lubricants, fluids or air line additives that are not compatible with seals or diaphragms used in the products. This Warranty sets out the purchaser's exclusive remedies with respect to products covered by it, whether for negligence or otherwise. Neither Bosch Rexroth nor any of its affiliates will be liable for consequential or incidental damages or other losses or expenses incurred by reason of the use or sale of such products. Our liability (except as to title) arising out of the sale, use or operation of any product or parts, whether on warranty, contract or negligence (including claims for consequential or incidental damage) shall not in any event exceed the cost of replacing the defective products and, upon expiration of the warranted period as herein provided, all such liability is terminated. THIS WARRANTY IS IN LIEU OF ALL OTHER WARRANTIES, EXPRESS OR IMPLIED, WHETHER FOR MERCHANTABILITY OR FITNESS FOR A PARTICULAR PURPOSE OR OTHERWISE. No attempt to alter, amend or extend this Warranty shall be effective unless authorized in writing by an officer of Bosch Rexroth Division.

Bosch Rexroth reserves the right to discontinue manufacture of any product, or change product materials, design or specifications without notice.

This is a Year 2000 Readiness disclosure as defined and used in the Year 2000 Information and Readiness Disclosure Act:

Notwithstanding any provision to the contrary, Seller acknowledges the potential Year 2000 problem and hereby promises to use its good faith, best efforts to attempt to be Year 2000 Compliant as soon as practicable. "Year 2000 Compliant" means that Seller's goods and services will be designed to be used prior to, during, and after calendar year 2000 A.D., and to operate during each such time period without substantive error relating to date data, specifically including any substantive error relating to, or the product of, date data which represents or references different centuries or more than one century, and will recognize the calendar year 2000 A.D. as a leap year.

Bosch Rexroth Corporation
Pneumatics
1953 Mercer Road
Lexington, KY 40511-1021
Telephone (859) 254-8031
Facsimile (859) 254-4188
www.boschrexroth-us.com

International offices:

Asia:

China Russia
India Singapore
Japan South Korea
Malaysia

Australia

Europe:

Austria Netherlands
Belgium Norway
Bulgaria Poland
Czech Republic Portugal
Denmark Romania
Finland Slovakia
France Spain
Germany Sweden
Greece Switzerland
Hungary Turkey
Italy Ukraine
United Kingdom

North America:

Canada United States
Mexico

South America:

Argentina Venezuela
Brazil

Factory Automation

Regional sales offices:

Central

Bosch Rexroth Corporation
5150 Prairie Stone Parkway
Hoffman Estates, IL 60192-3707
Telephone (847) 645-3600
Facsimile (847) 645-0804

Great Lakes

Bosch Rexroth Corporation
1701 Harmon Road
Auburn Hills, MI 48326-1549
Telephone (248) 393-3330
Facsimile (248) 393-2893

Northeast

Bosch Rexroth Corporation
99 Rainbow Road
East Grandby, CT 06026-0000
Telephone (860) 844-8377
Facsimile (860) 844-8595

Bosch Rexroth Corporation
2315 City Line Road
Bethlehem, PA 18017-2131
Telephone (610) 694-8300
Facsimile (610) 694-8467

Southeast

Bosch Rexroth Corporation
14001 South Lake Drive
Charlotte, NC 28273-5544
Telephone (704) 583-4338
Facsimile (704) 583-0523

West

Bosch Rexroth Corporation
11 Goddard
Irvine, CA 92618-4600
Telephone (949) 450-2777
Facsimile (949) 450-2790

North American offices:

Bosch Rexroth Corporation
Corporate Headquarters
5150 Prairie Stone Parkway
Hoffman Estates, IL 60192-3707
Telephone (847) 645-3600
Facsimile (847) 645-0804

Bosch Rexroth Corporation
Industrial Hydraulics
2315 City Line Road
Bethlehem, PA 18017-2131
Telephone (610) 694-8300
Facsimile (610) 694-8467

Bosch Rexroth Corporation
Electric Drives and Controls
5150 Prairie Stone Parkway
Hoffman Estates, IL 60192-3707
Telephone (847) 645-3600
Facsimile (847) 645-6201

Bosch Rexroth Corporation
Linear Motion and
Assembly Technologies
816 E. Third Street
Buchanan, MI 49107
Telephone (269) 695-0151
Facsimile (269) 695-5363

14001 South Lakes Drive
Charlotte, NC 28273
Telephone (800) 438-5983
Facsimile (704) 583-0523

Bosch Rexroth Corporation
Mobile Hydraulics
145 Southchase Boulevard
Fountain Inn, SC 29644-9018
Telephone (864) 967-2777
Facsimile (864) 962-5338

Bosch Rexroth Canada
3426 Mainway Drive
Burlington, Ontario L7M 1A8
Telephone (905) 335-5511
Facsimile (905) 335-4184
www.boschrexroth.ca

Bosch Rexroth, S.A. de C.V.
Calle Neptuno # 72
Unidad Industrial Vallejo
CP 07700 Mexico, D.F.
Telephone (555) 754-1711
Facsimile (555) 752-5943